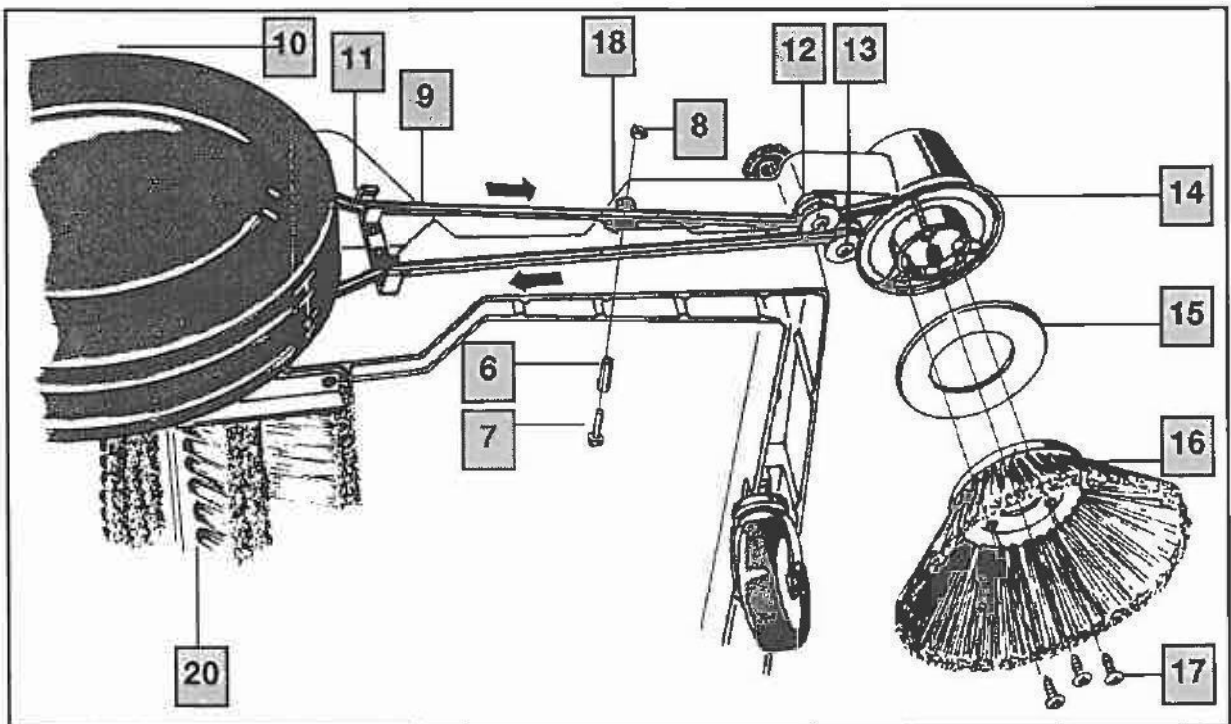
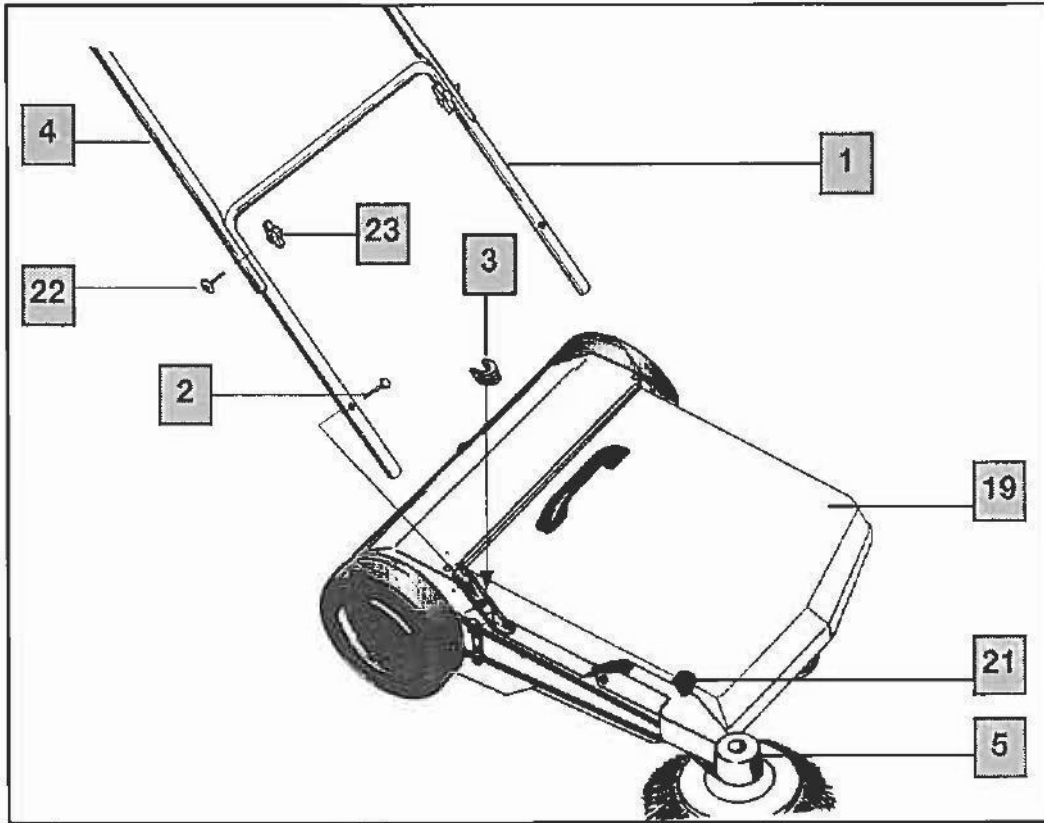




700 EASYSWEEP



Read these instructions carefully before operating machine.

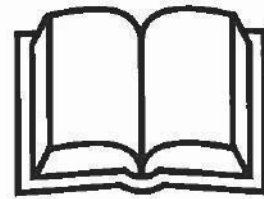


Operating instructions

These operating instructions have been made for the operators of the manual sweeper

1. Please get acquainted with the components, safety instructions and operation details, maintenance and recommendations mentioned in these instructions.
2. This allows you to optimise the performance, usage, maintenance and safety of the machine and allows you to keep the machine at a perfect level throughout its life.
3. The manufacturer takes no responsibility for damages caused to property or persons due to improper use of the machine.

Read safety rules imperatively!



Safety tips

To prevent fire risk or injury, please note the following:

- Do not sweep toxic, carcinogenic or unhealthy substances or other hazardous materials.
- Do not sweep burning or glowing objects, e.g. cigarettes, matches and similar.
- When removing glass, metal or other materials from the refuse container, always use thick gloves to avoid injury.
- The refuse container should be emptied whenever it has been used.
- The sweeper is not suitable for working with liquids.

Unpacking and assembly

The sweeper has only been partially assembled for packaging reasons. The pushing handle and side brush arm must be fastened to the frame.

- Unpack the sweeper and place it on a flat surface.
- Remove the refuse container and unpack the parts packed inside it.
- Check that all parts and also the instructions have been removed from the carton.
- Fit the pushing handle lower section (1) into the frame and fasten it with the bolts (2) M 6 x 35.
- Press in the plastic plug (3).
- Fasten the pushing handle upper section (4) to the lower section

Fitting the side brush

- Fit the side brush arm (5) into the mounting provided on the frame. Insert the sleeve (6).
- Slip the fastening bolt M 8 x 40 (7) from the inside to the outside and properly tighten the self-locking nut (8).
- Fold up the side brush arm.
- Place the drive belt (9) in the groove of the drive wheel (10) and in the guides (11) provided. Fit the upper part of the drive belt first into the pulley (12) and then into the groove of the brush plate (14). Then pull it between the brush plate (14) and the pulley (13).
- Fit the side brush (16). Place the deflecting plate (15) on the brush plate (14) such that the open side is visible. Place the side brush (16) on it and fasten it using the three special screws (17). The deflecting plate must turn easily.
- Swing down the side brush arm (5) and ensure that the drive belt (9) passes under the guide hook (18).
- Position the refuse container (19).
- The sweeper is ready to go.
- If the side brush (16) turns in the wrong direction, the drive belt has not been fitted correctly.

Operation

The side brush is moved to the working position by being swung downwards, in order to sweep along walls for example. Turn the height adjuster (23) to set the side brush such that about one third of it is touching the floor.

To empty the refuse container, lift and remove it by its handle, empty it into a bin, put it back in its frame and press it lightly to position it properly.

The refuse container must be emptied regularly, as sweeping is not possible with a full container.

Maintenance

- Clean the sweeper whenever it has been used. Remove any foreign bodies on the brushes and drive components.
- The gearbox, clutches and other internal parts are maintenance-free.
- Check the rubber floor seals from time to time for wear, and fit new ones if necessary
- Check the roller brush for wear from time to time. The roller brush can be changed easily by removing three screws on each half of the roller brush.
- Check the side brush for wear from time to time. Replace it when less than 1/3 of its bristles are in contact with the floor surface in the lowest setting. The side brush can be changed easily by removing the three screws and fitting a new brush in the same way.

Fault finding

Fault	Cause	Remedy
Difficult to push	<ul style="list-style-type: none"> • Side brush too low • Large pieces have got stuck under the sweeper 	<ul style="list-style-type: none"> → Set side brush correctly → Remove pieces
Poor refuse intake	<ul style="list-style-type: none"> • Threads or other pieces have fouled the roller brush • Refuse container full • Side brush set too high 	<ul style="list-style-type: none"> → Remove pieces → Empty container → Set correctly
Excessive dust during sweeping	<ul style="list-style-type: none"> • Refuse container full • Floor seals not tight • Sweeping speed too high 	<ul style="list-style-type: none"> → Empty container → Replace damaged seals → Reduce speed
Sweeper leaves marks behind it	<ul style="list-style-type: none"> • Fine dirt has built up around the floor brush. 	<ul style="list-style-type: none"> → Clean the area behind the roller brush

Storage

When the machine is not being used, store it in a dry place under normal room conditions (not below 0°C).

Subject to changes within the framework of technical progress!