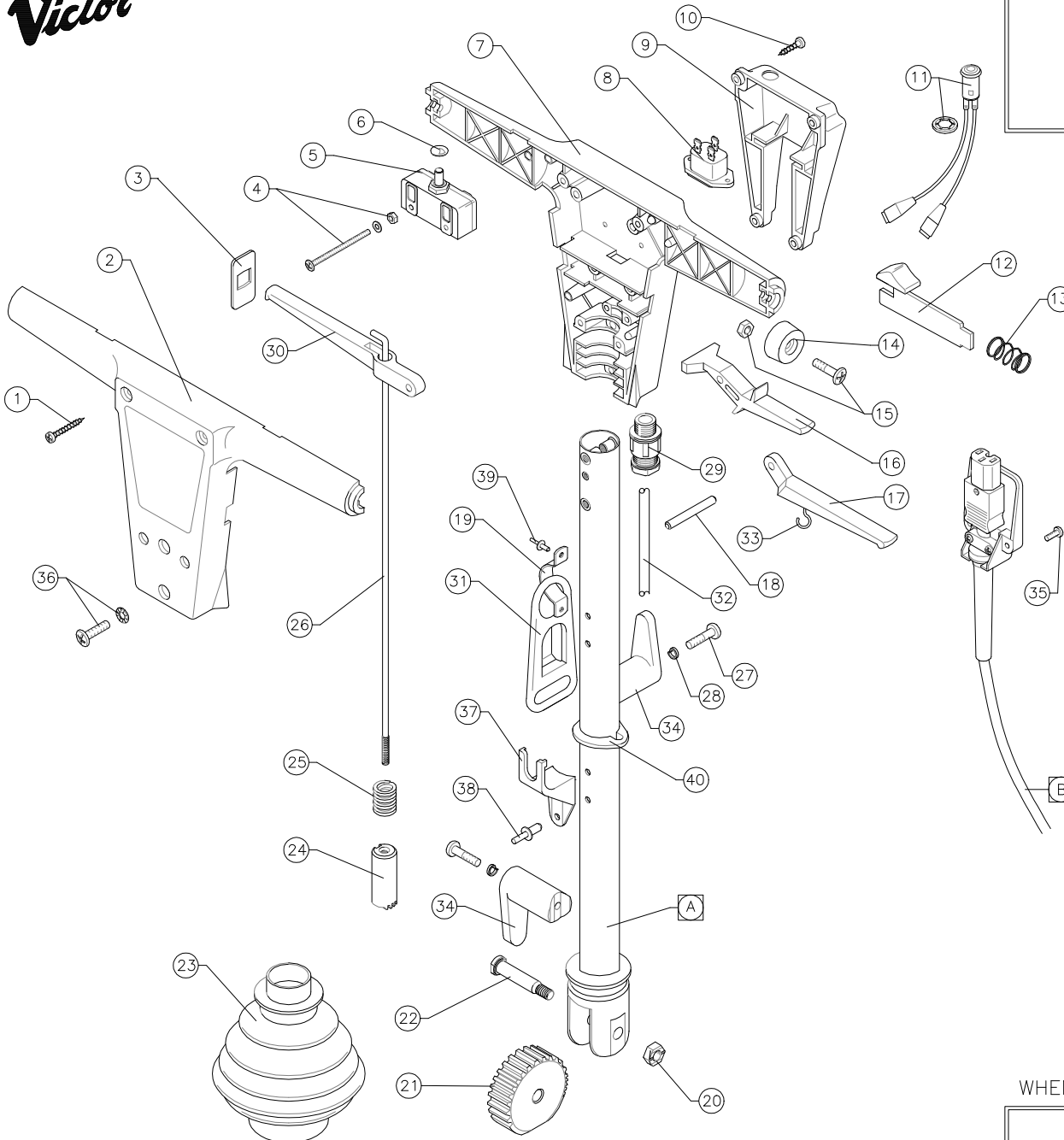


Victor



DOWDING & PLUMMER Ltd.

CALTHORPE HOUSE, STOCKFIELD ROAD,
BIRMINGHAM B27 6AP – ENGLAND
TEL: 0121-706-5771 FAX: 0121-708-1052



ITEM	PART No.	QTY.	DESCRIPTION
1	IN10X1.1-2	4	SCREW S.T. No.10 x 1 1/2"
2	SBI3759/RE	1	SWITCH BOX MOULDING – FRONT – RED
3	SBI3763/RE	2	LEVER ENTRY SHIELD – RED
4	-	2	M4x55mm SCREW, NUT ,PLAIN & S.P. WASHER
5	SBI3738	2	SINGLE POLE ON/OFF SWITCH
6	SBI3744	2	SPRING CAP 1/4"
7	SBI3758/RE	1	SWITCH BOX MOULDING – REAR – RED
8	SBI3650	1	INLET SOCKET
9	A1001/RE	1	SOCKET BOX MOULDING – RED
10	IN10X3-4PT	4	SCREW S.T. No.10 x 3/4"
11	SBI5836	1	NEON LIGHT & RETAINING RING
12	A1621	2	TRIGGER RELEASE SLIDE-BLACK
13	A1620	2	SPRING ø17x25
14	SBI3764/RE	2	HANDLE END CAP-RED
15	-	2	SCREW M6x20 P.H. & NUT
16	SBI3760	2	SWITCH LEVER – WHITE
17	SBI3762	1	FLUID LEVER – WHITE
18	A1141	3	LEVER PIVOT PIN
19	A1650/PLTD	1	CORD GUIDE CLAMP
20	M8NSB	1	NUT – M8 BINX
21	A1859	1	HANDLE SELECTOR GEAR
22	A1896	1	PIVOT BOLT
23	A1953	1	GAITER – BLACK P.V.C.
24	A1741	1	HANDLE POSITION SELECTOR
25	A1743	1	SELECTOR SPRING
26	A1765	1	PULL ROD
27	M6X25PP	2	M6 X 25 POZIDRIVE PANHEAD SCREW
28	M6WSP	2	M6 SPRING WASHER
29	SBI3373	1	CABLE GLAND – M16
30	SBI3761	1	HANDLE ADJUSTMENT LEVER – WHITE
31	SBI5482	1	CORD GUIDE
32	SBI5784	900mm	DOWN LEAD
33	SBI3766	1	CUP HOOK No.2
34	D0390	2	BRUSH / CABLE HOOK
35	M4X10CHS	2	SCREW – M4 x 10 C.H.
36	-	4	SCREW – M6 x 20 & S.P. WASHER
37	B1062	2	QUICK RELEASE BRACKET
38	SBI5424	4	'POP' RIVET 3/16" X 1/2" LONG
39	SBI5772	2	'POP' RIVET 3.2 DIA X 8 (1/8" X 5/16")
40	A1854	1	CABLE RETAINING RING – BLACK

ITEM	ASSY No.	QTY.	DESCRIPTION
A	AYT2004	1	DOWN TUBE ASSEMBLY
B	AYC1026	1	CABLE ASSY – 40ft 240V BLACK UK PLUG
	AYC1012	1	CABLE ASSY – 40ft 220V BLACK EURO PLUG
	AYC1074	1	CABLE ASSY – 40ft 240V ORANGE UK PLUG

WHEN ORDERING PLEASE QUOTE PART No. AND PART DESCRIPTION

SPRITE 300 HANDLE ASSY 240/220V – AYH1209