

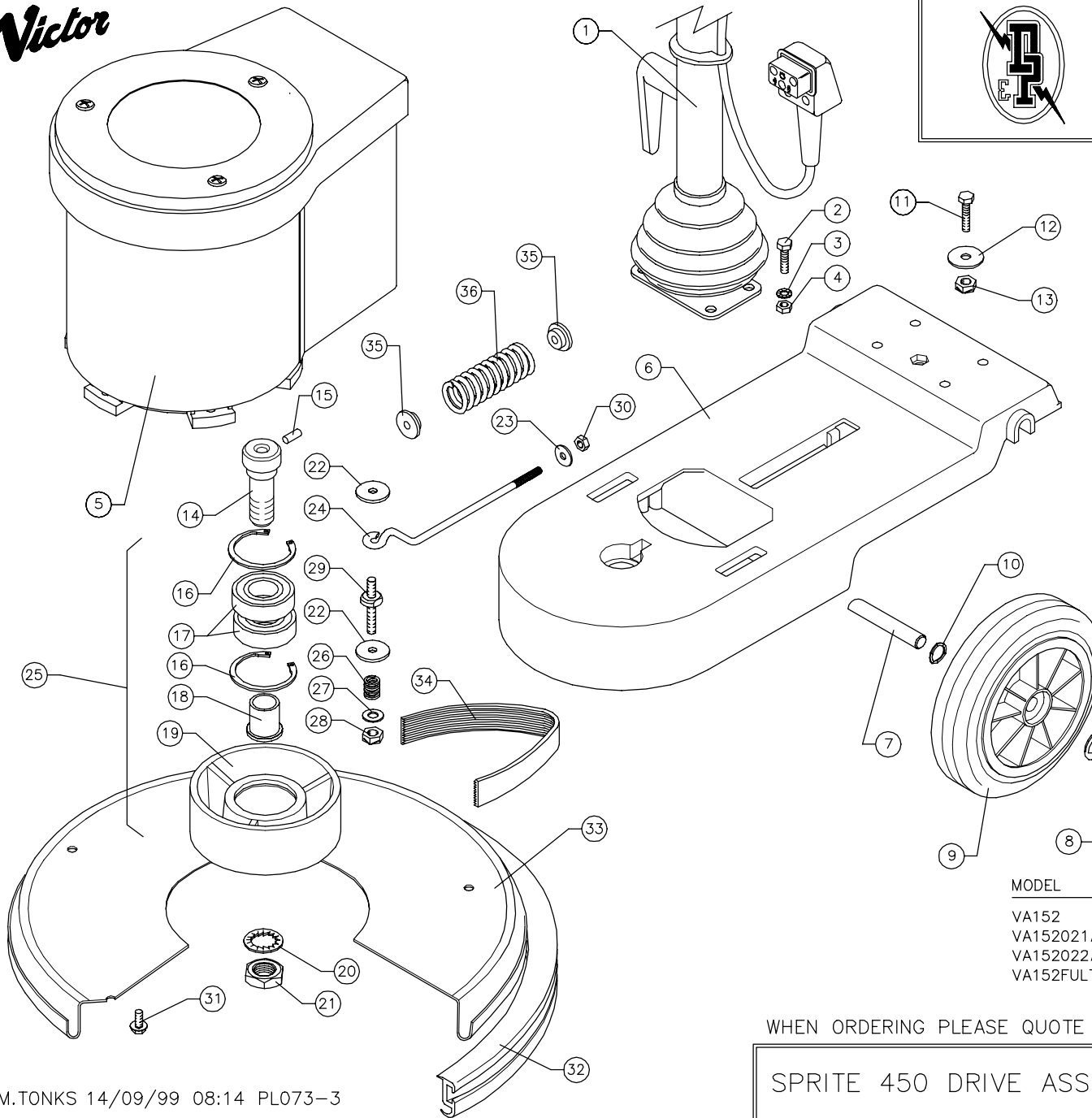
Victor



DOWDING & PLUMMER Ltd.

CALTHORPE HOUSE, STOCKFIELD ROAD,
BIRMINGHAM B27 6AP – ENGLAND

TEL: 0121-706-5771 FAX: 0121-708-1052



ITEM	PART No.	QTY.	DESCRIPTION
1	SEE TABLE	1	HANDLE ASSY.
2	M8X30BH	4	M8X30 HEX HEAD SCREW
3	M8WSP	4	M8 SPRING WASHER
4	M8N	4	M8 NUT
5	SEE TABLE	1	MOTOR ASSY
6	A1123/E/GH	1	C/W 32mm ROTOR PULLEY
7	A1657/PLTD	1	BASE – GREY HAMMER
8	SBI3005/A	2	WHEEL AXLE 325mm
9	SBI6101/NT	2	12mm STARLOCK CAP
10	SBI3666	2	200mm WHEEL – BLACK
11	M8X35BH	2	WAVY WASHER – PLW4
12	A1378	1	M8X35 HEX HEAD SCREW
13	A1378	1	30X9X2.5 WASHER
14	M8NSB	1	M8 STIFF NUT
15	A1674	1	CENTRE FEED PULLEY BOLT
16	SBI5550	1	1/4" x 5/8" SELOCK PIN
17	SBI3485	2	CIRCLIP 52mm INTERNAL
18	SBI3412	2	BEARING – LJ25mm
19	A1456	1	BEARING SLEEVE
20	A1700	1	ø156mm OUTPUT PULLEY
21	M20WSH	1	M20 SHAKEPROOF WASHER
22	M20NH	1	M20 HALF NUT
23	A1378	6	WASHER (30x9x2.5mm)
24	11-4X3-4W	2	1/4" x 3/4" WASHER
25	A1377	1	EYEBOLT
26	AYP1016	1	DRIVE PULLEY ASSY
27	A2132	3	MOTOR STUD SPRING
28	M8W	3	M8 PLAIN WASHER
29	M8NSB	3	M8 BINX STIFF NUT
30	A1223/PLTD	3	MOTOR DRIVE STUD
31	M6N	2	M6 NUT
32	M6X12TT	5	M6 x 12 TAPTITE SCREW
33	A1753/B/BL	1	54" BUFFER RING – BLACK
34	B1053/GH	1	BRUSH COVER – 450mm
35	SBI3823	1	220/16 POLYVEE DRIVE BELT
36	A1151	2	SPRING LOCATOR
	A1159	1	BELT ADJUSTING SPRING

MODEL	DESCRIPTION	HANDLE ASSY	MOTOR ASSY
VA152	240V/50HZ/1150W	AYH1800	AYM2138
VA152021A	220V/50HZ/1150W	AYH1800	AYM2129
VA152022A	220V/50HZ/1150W VDE	AYH1804	AYM2129
VA152FULTON	220V/50HZ/1150W	AYH1800	AYM2129

WHEN ORDERING PLEASE QUOTE PART No. AND PART DESCRIPTION

SPRITE 450 DRIVE ASSY HIGH SP – VA152 240/220V RANGE

FROM 14.09.99 TO