

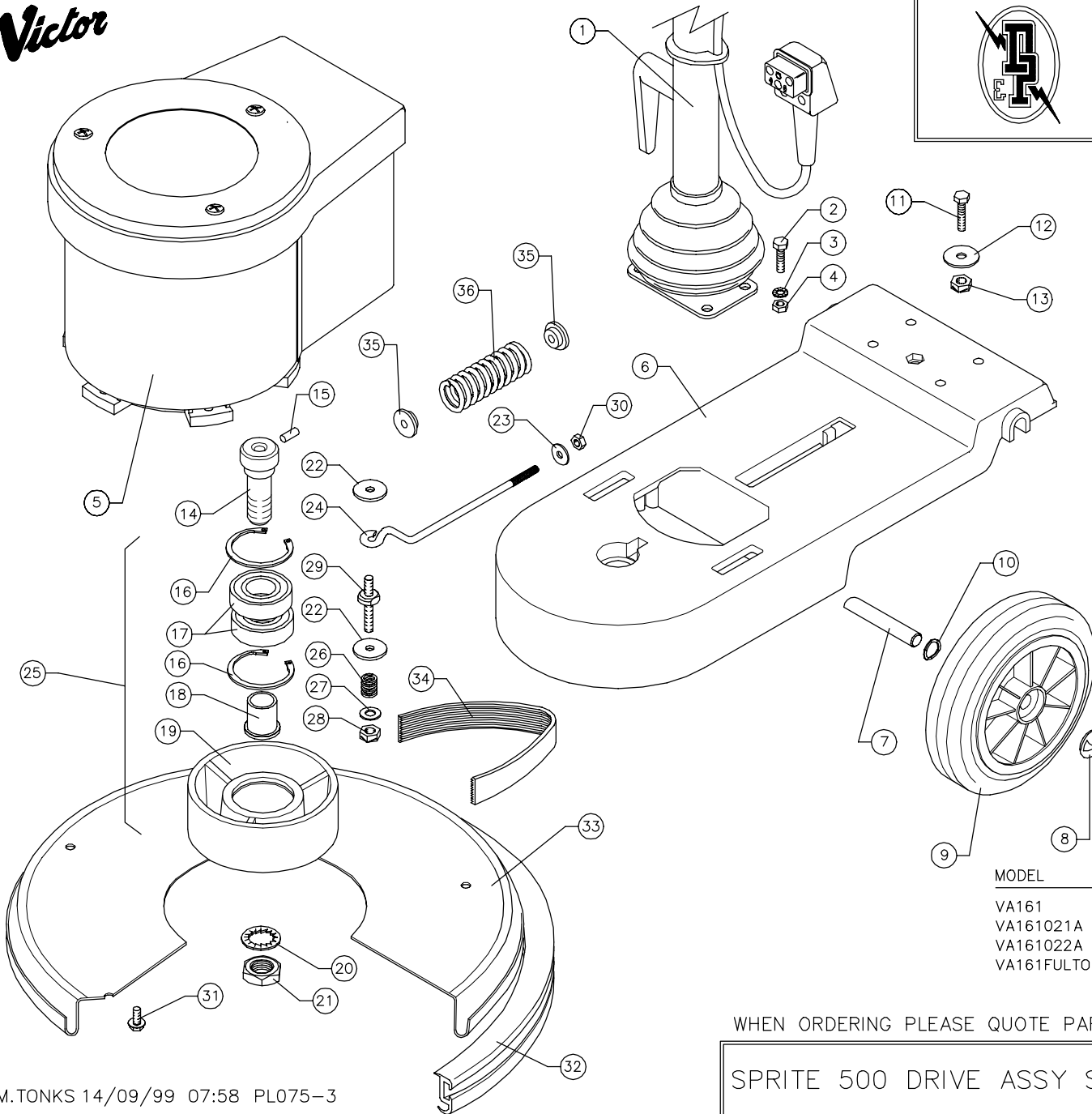
Victor



DOWDING & PLUMMER Ltd.

CALTHORPE HOUSE, STOCKFIELD ROAD,
BIRMINGHAM B27 6AP – ENGLAND

TEL: 0121-706-5771 FAX: 0121-708-1052



ITEM	PART No.	QTY.	DESCRIPTION
1	SEE TABLE	1	HANDLE ASSY.
2	M8X30BH	4	M8x30 HEX HEAD SCREW
3	M8WSP	4	M8 SPRING WASHER
4	M8N	4	M8 NUT
5	SEE TABLE	1	MOTOR ASSY.
6	A1123/E/GH	1	BASE – GREY HAMMER
7	A1657/PLTD	1	WHEEL AXLE 325mm
8	SBI3005/A	2	12mm STARLOCK CAP
9	SBI6101/NT	2	200mm WHEEL – BLACK
10	SBI3666	2	WAVY WASHER – PLW4
11	M8X35BH	1	M8x35 HEX HEAD SCREW
12	A1378	1	30X9X2.5 WASHER
13	M8NSB	1	M8 STIFF NUT
14	A1674	1	CENTRE FEED PULLEY BOLT
15	SBI5550	1	1/4" x 5/8" SELOCK PIN
16	SBI3485	2	CIRCLIP 52mm INTERNAL
17	SBI3412	2	BEARING – LJ25mm
18	A1456	1	BEARING SLEEVE
19	A1700	1	Ø156mm OUTPUT PULLEY
20	M20WSH	1	M20 SHAKEPROOF WASHER
21	M20NH	1	M20 HALF NUT
22	A1378	6	WASHER (30x9x2.5mm)
23	11-4X3-4W	2	1/4" x 3/4" WASHER
24	A1377	1	EYEBOLT
25	AYP1016	1	DRIVE PULLEY ASSY
26	A2132	3	MOTOR STUD SPRING
27	M8W	3	M8 PLAIN WASHER
28	M8NSB	3	M8 BINX STIFF NUT
29	A1223/PLTD	3	MOTOR DRIVE STUD
30	M6N	2	M6 NUT
31	M6X12TT	5	M6 x 12 TAPTITE SCREW
32	A1025/C/BL	1	1530mm BUFFER RING – BLACK
33	A1341/L/GH	1	BRUSH COVER – 500mm
34	SBI3823	1	220J16 POLYVEE DRIVE BELT
35	A1151	2	SPRING LOCATOR
36	A1159	1	BELT ADJUSTING SPRING

MODEL	DESCRIPTION	HANDLE ASSY	MOTOR ASSY
VA161	240V/50HZ/750W	AYH1800	AYM2037
VA161021A	220V/50HZ/750W	AYH1800	AYM2038
VA161022A	220V/50HZ/750W VDE	AYH1804	AYM2038
VA161FULTON	220V/50HZ/750W	AYH1800	AYM2038

WHEN ORDERING PLEASE QUOTE PART No. AND PART DESCRIPTION

SPRITE 500 DRIVE ASSY STD SPEED – VA161 240/220V RANGE

FROM 14.09.99 TO

M.TONKS 14/09/99 07:58 PL075-3