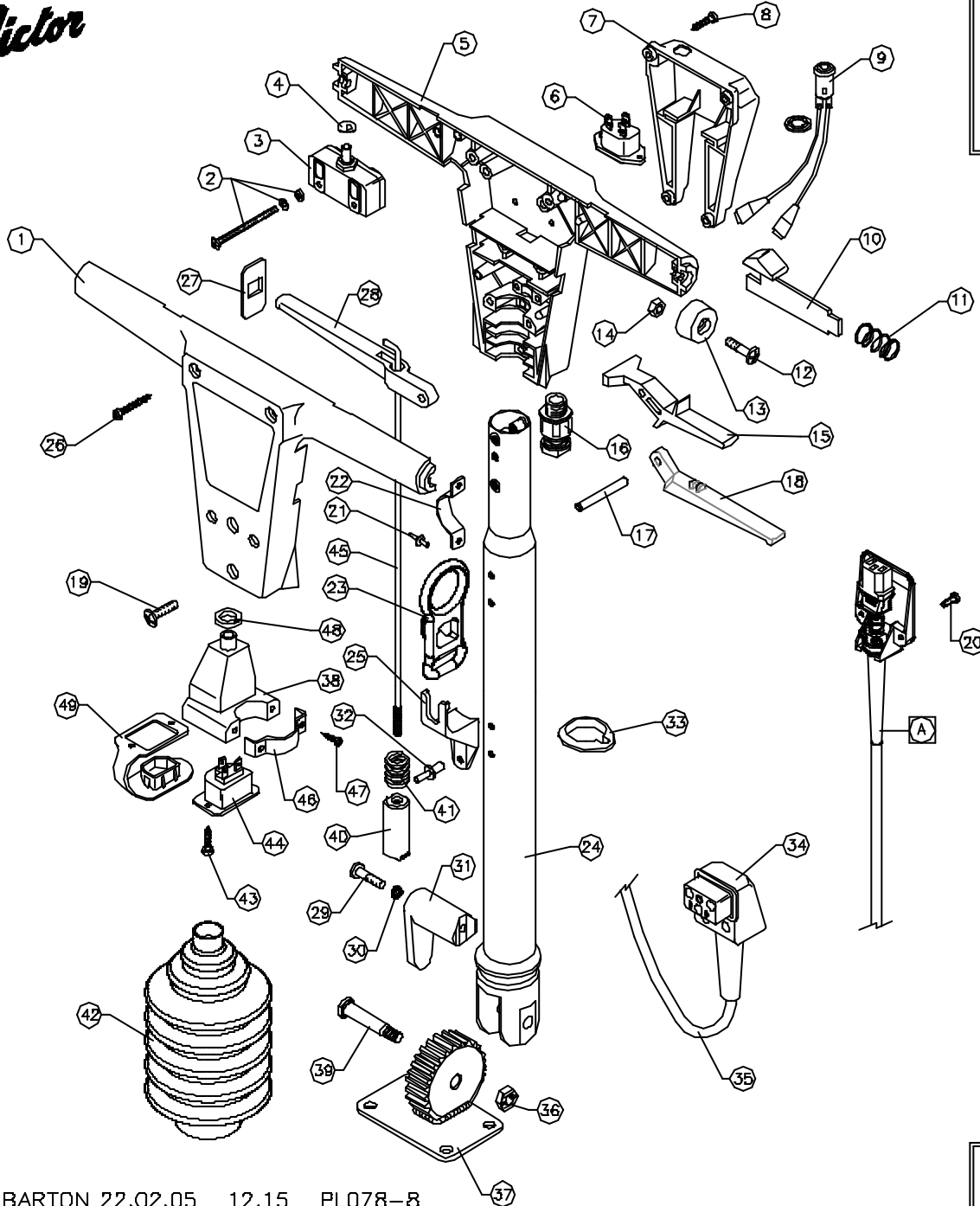


Victor



DOWDING & PLUMMER Ltd.

CALTHORPE HOUSE, STOCKFIELD ROAD,
BIRMINGHAM B27 6AP - ENGLAND
TEL: 0121-706-5771 FAX: 0121-708-1052



| ITEM | PART No | QTY. | DESCRIPTION |
|------|-------------|------|---------------------------------------|
| 1 | SB3708/BL | 1 | SWITCH BOX FRONT HALF |
| 2 | - | 4 | M4x55 SCREW, NUT, PLAIN & S.P. WASHER |
| 3 | SB3738 | 2 | SINGLE POLE ON/OFF SWITCH |
| 4 | SB3744 | 2 | 1/4" STARLOCK CAP |
| 5 | SB3758/BL | 1 | SWITCH BOX BACK HALF |
| 6 | SB3600 | 1 | INLET SOCKET |
| 7 | A1001/BL | 1 | HANDLE SOCKET BOX |
| 8 | N10X3-4PT | 4 | No.10 x 3/4" PLASTITE SCREW |
| 9 | SB0536 | 1 | NEON LIGHT 200/250V GREEN |
| 10 | A1621/BL | 2 | TRIGGER RELEASE MouldING |
| 11 | A1620 | 2 | TRIGGER RELEASE SPRING |
| 12 | M6x20SP | 2 | M6x20 POZIDRIP SCREW |
| 13 | SB3764/BL | 2 | HANDLE END CAP |
| 14 | M8N | 2 | M8 FULL NUT |
| 15 | SB3700/BL | 2 | HANDLE SWITCH LEVER |
| 16 | SB3373 | 1 | CABLE GLAND - M16 |
| 17 | A1141 | 3 | HANDLE LEVER PIVOT PIN |
| 18 | C1412/BL | 1 | FLUID LEVER |
| 19 | DOB12 | 4 | M6 x 20 POZIDRIP SCREW |
| 20 | M4x10CHS | 2 | M4 x 10 SLOTTED SCREW |
| 21 | SB5772 | 2 | "POP" RIVET ø3.2 x 8 (1/8" x 5/16") |
| 22 | A1649/CH | 1 | CABLE RESTRAINT BRACKET GREY HAMMER |
| 23 | DO550 | 1 | CABLE RESTRAINT |
| 24 | AY12089 | 1 | DOWN TUBE ASSY |
| 25 | B1062 | 2 | BRACKET (QUICK RELEASE) |
| 26 | N10X1.1-2PP | 4 | No.10 x 1 1/2" POZIDRIP |
| 27 | SB3763/BL | 2 | HANDLE LEVER ENTRY SHIELD |
| 28 | SB3761/BL | 1 | HANDLE ADJUSTMENT LEVER |
| 29 | M6x25PP | 1 | M6 x 25 POZIDRIVE PANHEAD SCREW |
| 30 | M8WSP | 1 | M8 SPRING WASHER |
| 31 | DO390 | 1 | CABLE HOOK |
| 32 | SB5424 | 4 | "POP" RIVET 3/16" x 1/2" LONG |
| 33 | A1854 | 2 | CABLE RETENTION RING |
| 34 | SB0829 | 1 | INLET PLUG (TYPE 821) |
| 35 | SB3606 | 1 | CABLE 1.5mm 3 CORE 150cm LG BLACK |
| 36 | M8NS8 | 1 | M8 BINX STIFF NUT |
| 37 | B1150 | 1 | WELDED GEAR ASSY. |
| 38 | A1686 | 1 | INLET SOCKET BOX MouldING |
| 39 | A1896 | 1 | PIVOT BOLT |
| 40 | A1741 | 1 | HANDLE POSITION SELECTOR |
| 41 | A1743 | 1 | SELECTOR SPRING |
| 42 | DO429 | 1 | BELLOWS |
| 43 | N6X1/2PP | 2 | No.6 x 1/2" POZIDRIVE PANHEAD SCREW |
| 44 | SB5551 | 1 | SOCKET OUTLET |
| 45 | A1852 | 1 | 800mm INSIDE BEND PULL ROD |
| 46 | A1807/CH | 1 | BRACKET QUICK RELEASE GREY HAMMER |
| 47 | M6x30FP | 2 | M6 x 30 SFAX POZIDRIVE PANHEAD SCREW |
| 48 | SB5602 | 1 | RUBBER WASHER |
| 49 | A1748 | 1 | HANDLE INLET SOCKET COVER |

| ITEM | ASSY No. | QTY. | DESCRIPTION |
|------|----------|------|--------------------------------------|
| A | D1000 | 1 | HIGH VISIBILITY UK CABLE PACK ASSY |
| | D1001 | 1 | HIGH VISIBILITY EURO CABLE PACK ASSY |

A.BARTON 22.02.05 12.15 PL078-8

WHEN ORDERING PLEASE QUOTE PART No. AND PART DESCRIPTION

AYH1214 - EUROPA STD HANDLE ASSY 220/240V