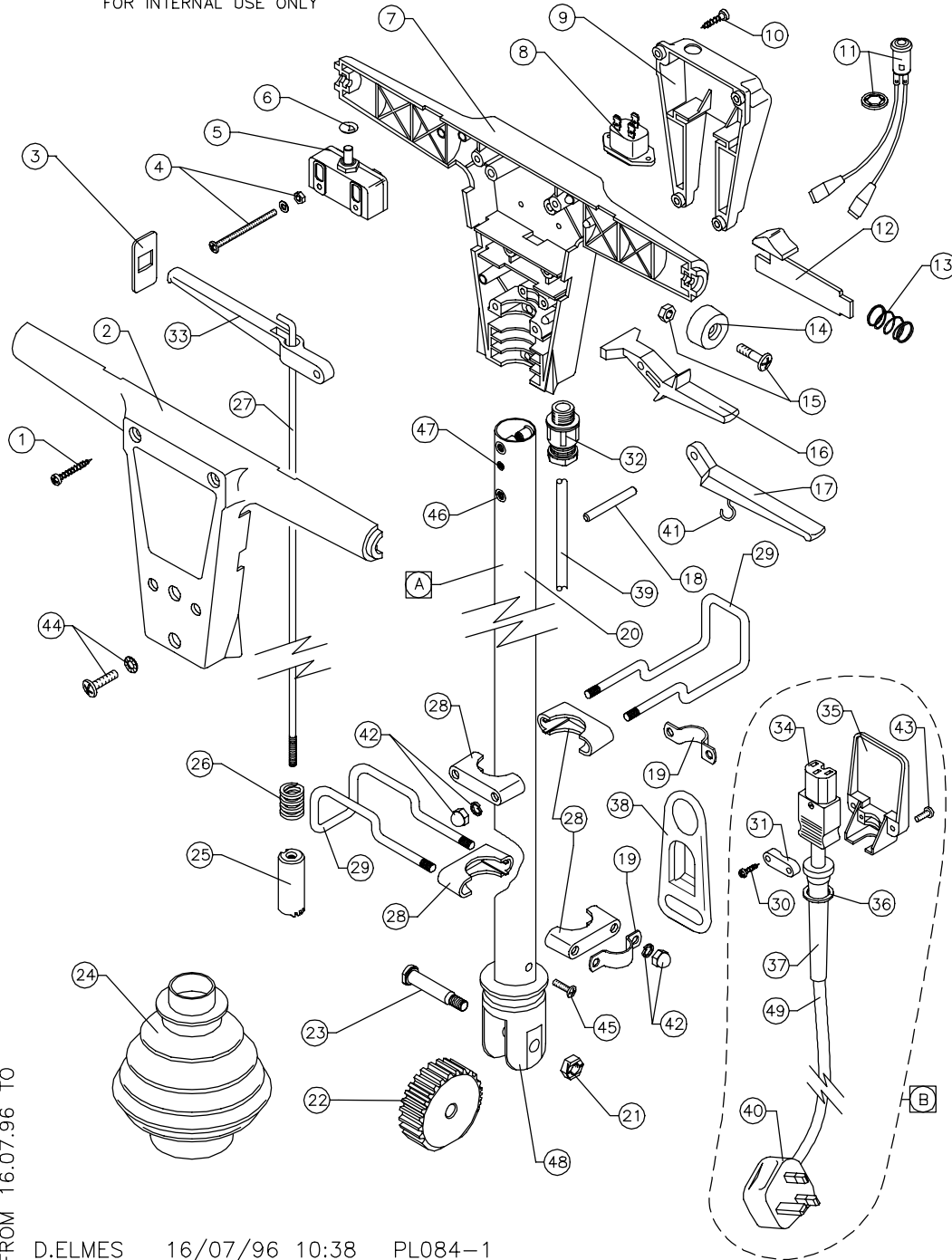


AYH1209 – SPRITE 300 HANDLE ASSEMBLY

FOR INTERNAL USE ONLY



AYH1209 – SPRITE 300 HANDLE ASSEMBLY

ITEM	PART No.	QTY.	DESCRIPTION
1	IN10X1.1-2	4	SCREW S.T. No.10 x 1 1/2"
2	SBI3759/RE	1	SWITCH BOX MOULDING – FRONT – RED
3	SBI3763/RE	2	LEVER ENTRY SHIELD – RED
4	-	2	M4x55mm SCREW, NUT ,PLAIN & S.P. WASHER
5	SBI3738	2	SINGLE POLE ON/OFF SWITCH
6	SBI3744	2	SPRING CAP 1/4"
7	SBI3758/RE	1	SWITCH BOX MOULDING – REAR – RED
8	SBI3650	1	INLET SOCKET
9	A1001/RE	1	SOCKET BOX MOULDING – RED
10	IN10X3-4PT	4	SCREW S.T. No.10 x 3/4"
11	SBI5836	1	NEON LIGHT & RETAINING RING
12	A1621	2	TRIGGER RELEASE SLIDE-BLACK
13	A1620	2	SPRING ϕ 17x25
14	SBI3764/RE	2	HANDLE END CAP-RED
15	-	2	SCREW M6x20 P.H. & NUT
16	SBI3760	2	SWITCH LEVER – WHITE
17	SBI3762	1	FLUID LEVER – WHITE
18	A1141	3	LEVER PIVOT PIN
19	A1650/PLTD	2	CORD GUIDE CLAMP
20	B1168	1	DOWN TUBE
21	M8NSB	1	NUT – M8 BINX
22	A1859	1	HANDLE SELECTOR GEAR
23	A1896	1	PIVOT BOLT
24	A1953	1	GAITER – BLACK P.V.C.
25	A1741	1	HANDLE POSITION SELECTOR
26	A1743	1	SELECTOR SPRING
27	A1765	1	PULL ROD
28	A1640	4	30mm TUBE CLAMP
29	A1230/B	2	BRUSH HOOK
30	-	2	SCREW S.T. No.8 x 5/8"
31	SBI3765/RE	1	CABLE CLAMP
32	SBI3373	1	CABLE GLAND – M16
33	SBI3761	1	HANDLE ADJUSTMENT LEVER – WHITE
34	SBI3648	1	STRAIGHT CONNECTOR – REWIREABLE
35	A1315/RE	1	CABLE INLET MOULDING – RED
36	A1189/A	1	FIBRE WASHER ϕ 17x ϕ 22x2.5
37	A1316/BL	1	GROMMET SLEEVE – BLACK
38	SBI5482	1	CORD GUIDE
39	SBI5784	900mm	DOWN LEAD
40	SBI3051/A	1	13AMP PLUG (UK MARKET)
41	SBI3766	1	CUP HOOK No.2
42	-	4	M6 DOMED NUT & SP WASHER
43	M4X10CHS	2	SCREW – M4 x 10 C.H.
44	-	4	SCREW – M6 x 20 & S.P. WASHER
45	M4X12PP	1	SCREW – M4 x 12 TRILOBE
46	SBI3772	4	M6 THIN SHEET NUTSERT
47	SBI3771	1	M4 THIN SHEET NUTSERT
48	A1749	1	CLEVIS
49	SBI3688	12M	LEAD 1.5mm (3 CORE)
ASSY	PART No.		
A	AYT2004	1	HANDLE TUBE ASSEMBLY – (ITEMS 20,45,46,47,48)
B	AYC1026	1	CABLE ASSEMBLY (13A PLUG)

FROM 16.07.96 TO