

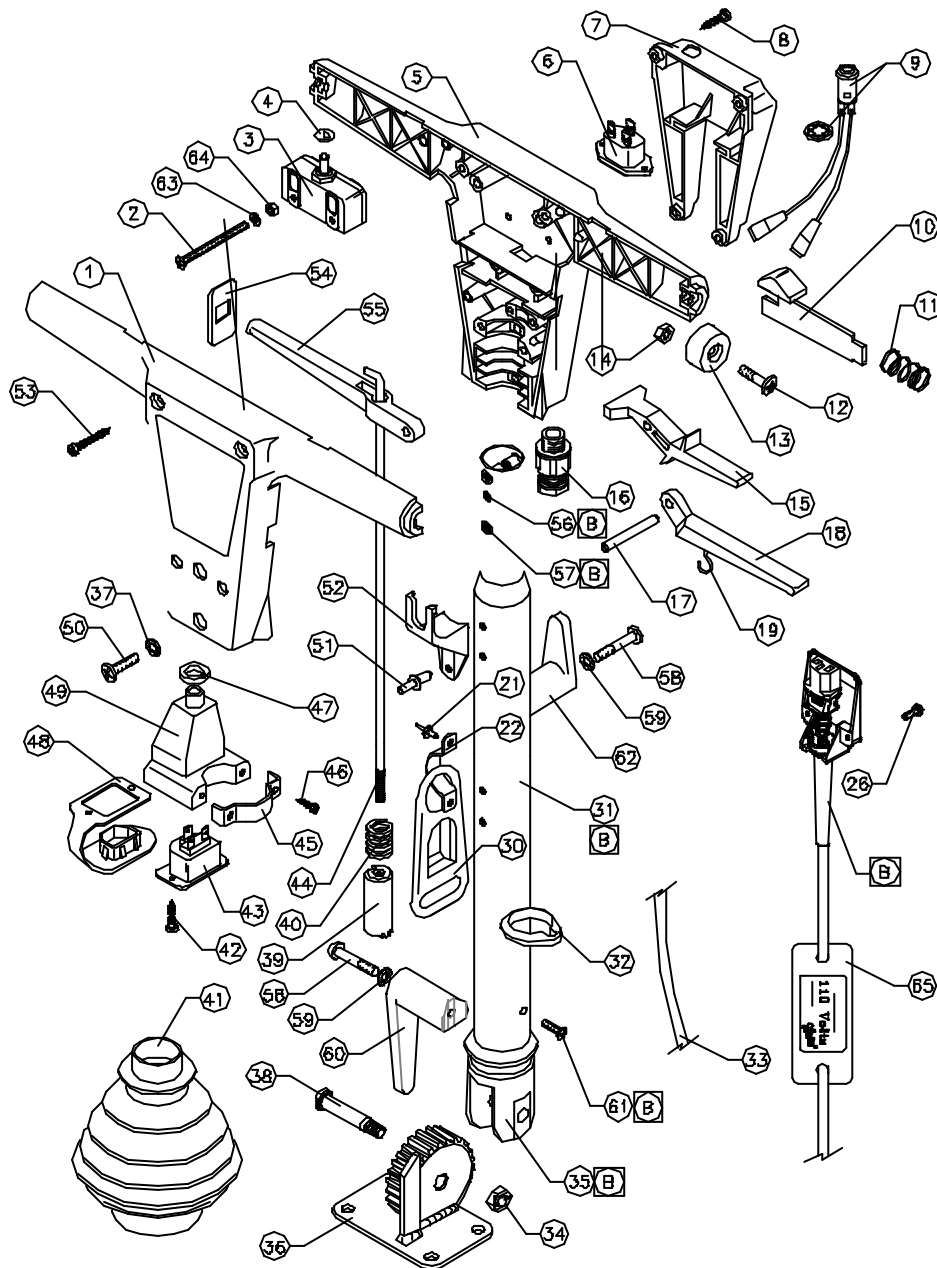
Victor



DOWDING & PLUMMER Ltd.

CALTHORPE HOUSE, STOCKFIELD ROAD,
BIRMINGHAM B27 6AP - ENGLAND

TEL: 0121-706-5771 FAX: 0121-708-1052



ITEM	PART No	QTY.	DESCRIPTION
1	9813769/BL	1	SWITCH BDK FRONT HALF
2	M4X 56PP	2	M4X56 POZIPAN SCREW
3	9813738	2	SINGLE POLE ON/OFF SWITCH
4	9813744	2	1/4" STARLOCK CAP
5	9813768/BL	1	SWITCH BDK BACK HALF
8	9813660	1	INLET SOCKET
7	A1001/BL	1	HANDLE SOCKET BOX
8	N10X3-4PT	4	No10 x 3/4" PLASTITE SCREW
9	9816173	1	NEQN LIGHT 110V & RETAINING RING
10	A1821/BL	2	TRIGGER RELEASE MouldING
11	A1820	2	TRIGGER RELEASE SPRING
12	M6X20SP	2	M6X20 POZIPAN SCREW
13	9813784/BL	2	HANDLE END CAP
14	M6N	2	M6 FULL NUT
15	9813780/BL	2	HANDLE SWITCH LEVER
16	9813373	1	CABLE GLAND - M16
17	A1141	3	HANDLE LEVER PIVOT PIN
18	9813782/BL	1	HANDLE FLUID LEVER
19	9813786	1	HANDLE FLUID LEVER HOOK
20	A1315/BL	1	CABLE INLET MouldING
21	9815772	2	"POP" RIVET 63.2 x 8 (1/8" x 5/16")
22	A1049/GH	1	CABLE RESTRAINT BRACKET-GREY HAMMER
23	9813648	1	STRAIGHT CONNECTOR - REWIREABLE
24	9813765/BL	1	CABLE CLAMP
29	N6X3-8PP	2	No 6 x 3/8" POZIPAN HEAD SCREW
26	M4X10CHS	2	M4 x 10 SLOTTED SCREW
27	A1109/A	1	FIBRE WASHER 17 x 22 x 2.5
28	A1316/BL	1	GROMMET SLEEVE-BLACK
29	9813688	12M	CABLE 1.5mm-BLACK
30	9815482	1	CORD GUIDE-BLACK
31	C1379	1	DOWN TUBE
32	A1834	2	CABLE RETENTION RING
33	C1342	32"	LEAD (1.5mm) 3 CORE-BLACK
34	M6X5B	1	M6 BINX STIFF NUT
36	B1102	1	CLEVIS
36	C1330	1	WELDED BEAR ASSY. WITH STOP
37	M6SH	4	M6 SHAKEPROOF WASHER
38	A1896	1	PIVOT BOLT
39	A1741	1	HANDLE POSITION SELECTOR
40	A1743	1	SELECTOR SPRING
41	A1953	1	BELLOW 27mm DIA.
42	N6X1-2PP	2	No.6 x 1/2" POZIPANHEAD SCREW
43	9816561	1	SOCKET OUTLET
44	A1852	1	800mm INSIDE BEND FULL ROD
46	A1807/GH	1	BRACKET QUICK RELEASE-GREY HAMMER
46	M5X30PP	2	M5 x 30 SPAX POZIDRIVE PANHEAD SCREW
47	9816602	1	RUBBER WASHER
48	A1746	1	HANDLE INLET SOCKET COVER
49	A1886	1	INLET SOCKET BOX MouldING
50	M6X20SP	4	M6 x 20 POZIPAN SCREW
51	9815434	4	"POP" RIVET 3/16" x 1/2" LONG
52	B1062	2	BRACKET (QUICK RELEASE)
53	N10X1.1-3DP	4	No 10 x 1 1/2" POZIPANHEAD SCREW
54	9813783/BL	2	HANDLE LEVER ENTRY SHIELD
55	9813781/BL	1	HANDLE ADJUSTMENT LEVER
56	9813771	1	M4 THIN SHEET NUTSERT
57	9813772	6	M6 THIN SHEET NUTSERT
58	M6X38PP	2	M6 x 38 POZIDRIVE PANHEAD SCREW
59	M6SWP	2	M6 SPRING WASHER
60	DP819/GH	1	CORD HOOK-GREY HAMMER
61	M4X129C	1	M4 x 12 TRILOBE SCREW
62	C1380/GH	1	BRUSH HOOK-GREY HAMMER
63	M4SH	2	M4 SHAKEPROOF WASHER
64	M4N	2	M4 NUT
66	E1492	1	110V LABEL

ITEM	ASSY No	QTY.	DESCRIPTION
A	D1000	1	HIGH VISIBILITY UK CABLE PACK ASSY
			PLUG TO BE REMOVED
B	AYT2008/GH	1	DOWN TUBE ASSEMBLY-GREY HAMMER (ITEMS 31,35,58,57 & 61)

WHEN ORDERING PLEASE QUOTE PART No. AND PART DESCRIPTION

SPRITE 400 HANDLE ASSY. AYH1808 110V