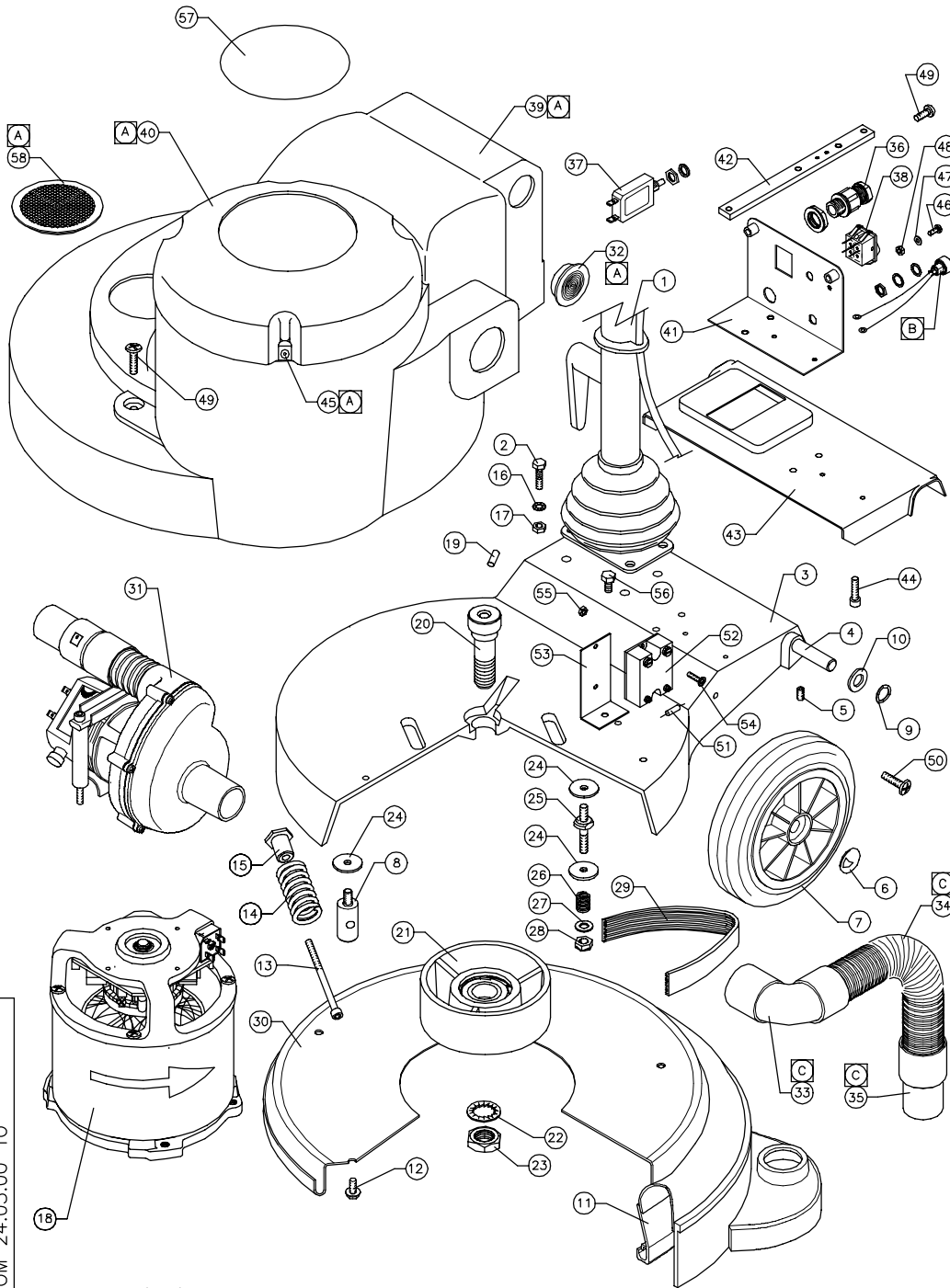


VA4527PM AIRFLOW 1150W 110V 50HZ



VA4527PM AIRFLOW 1150W 110V 50HZ

ITEM	PART No.	QTY.	DESCRIPTION
1	AYH1611	1	AIRFLOW HANDLE ASSY.
2	M8X30BH	4	M8 x 30 HEX HEAD SCREW
3	C1426	1	BASE CASTING
4	A1878/PLTD	1	WHEEL AXLE PLATED 380mm
5	M6X8SC	1	M6 x 8 SOCKET GRUB SCREW
6	SBI3005/A	2	12mm STARLOCK CAP
7	SBI6101/NT	2	200mm WHEEL - REINFORCED BLACK
8	A1766	1	MOTOR PILLAR STUD
9	SBI3666	2	WAVEY WASHER - PLW4
10	M12W	2	12mm PLAIN WASHER
11	AYS1018	1	AIRFLOW SKIRT ASSEMBLY
12	M6X12TT	5	M6 x 12 TAPTITE SCREW
13	A1864	1	BELT TENSIONING SCREW - M6x90
14	A1850	1	SPRING
15	A1865	1	SPRING RETAINER
16	M8WSP	4	M8 SPRING WASHER
17	M8N	4	M8 NUT
18	AYM2176	1	MOTOR ASSY. 1150w 110v 50hz
19	SBI5550	1	1/4" x 5/8" SELOCK PIN
20	A1674	1	CENTRE FEED PULLEY BOLT
21	AYP1016	1	Ø157mm OUTPUT PULLEY ASSEMBLY
22	M20WSH	1	M20 SHAKEPROOF WASHER
23	M20NH	1	M20 HALF NUT
24	A1378	7	WASHER (30x9x2.5mm)
25	A1843	3	MOTOR STUD
26	A2132	3	MOTOR STUD SPRING
27	M8W	3	M8 PLAIN WASHER
28	M8NSB	3	M8 BINX STIFF NUT
29	SBI3823	1	220J16 POLYVEE DRIVE BELT
30	B1054/GH	1	BRUSH COVER PRESSING - 450mm
31	AYM1400	1	VAC MOTOR ASSY. 110V
32	SBI6392	2	AIR VENT GRILLE SMALL
33	C1437	1	90° HOSE END
34	SBI6136/A	200mm	STRETCH HOSE
35	SBI5668	1	HOSE SLEEVE 32mm BLACK
36	SBI5833	1	M16 CABLE GLAND
37	SBI5500	1	CIRCUIT BREAKER 12 AMP
38	C1715	1	ROCKER SWITCH
39	C1416/A	1	MAIN BODY COVER
40	C1488	1	MOTOR TOP COVER
41	C1771	1	SWITCH MOUNTING PLATE
42	C1425	1	VAC MOTOR ASSY MOUNTING BAR
43	C1421	1	BASE CASTING REAR COVER
44	M6X20SC	2	M6 x 20 SOCKET HEAD CAP SCREW
45	SBI6385	4	EXPANSION RIVET Ø5
46	M4X10SPB	1	M4 x 10 SCREW POZIPAN BRASS
47	M4WB	1	M4 WASHER BRASS
48	M4NB	1	M4 NUT BRASS
49	M6X12SP	3	M6 x 12 POZIPAN HEAD SCREW
50	M6X12BPPTT	2	M6X12 POZIPAN HEAD TAPTITE SCREW-BLK
51	SBI6361	1	RESISTOR 0.66W 56K
52	SBI6353	1	SPEED CONTROLLER PSR 25
53	C1496	1	SPEED CONTROLLER MOUNTING PLATE
54	M4X10SP	2	M4X10 POZIDRIVE PANHEAD SCREW
55	M4N	2	M4 NUT
56	M8X12BH	1	M8 x 12 HEX HEAD SCREW
57	SBI5477	1	VICTOR WORLD MOTOR TOP LABEL
58	SBI6391	2	AIR VENT GRILLE LARGE

ASSY No	QTY.	DESCRIPTION
A	1	MOTOR BODY COVER ASSY (INCLUDES ITEMS:39,40,45,58&32)
B	1	SPEED CONTROLLER KNOB/LEAD ASSY
C	1	HOSE ASSY FOR BRUSH SKIRT (INCLUDES ITEMS:33,34&35)

FROM 24.05.00 TO