

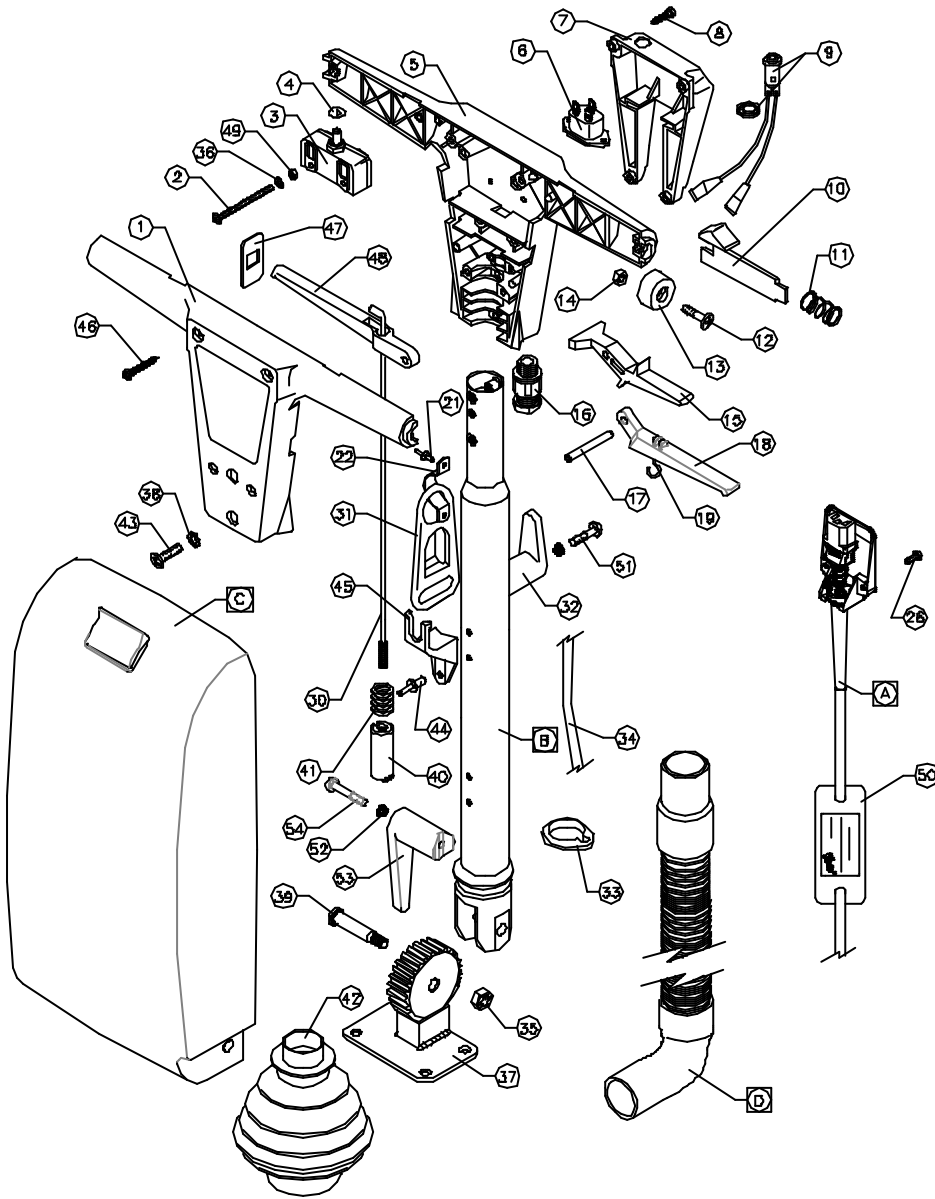
Victor



DOWDING & PLUMMER Ltd.

CALTHORPE HOUSE, STOCKFIELD ROAD,
BIRMINGHAM B27 6AP - ENGLAND

TEL: 0121-706-5771 FAX: 0121-708-1052



ITEM	PART No	QTY.	DESCRIPTION
1	5B1373B/BL	1	SWITCH BOX FRONT HALF
2	M4X 30PP	2	M4X30 POZIFAN SCREW
3	5B1373B	2	SINGLE POLE ON/OFF SWITCH
4	5B13744	2	1/4" STARLOCK CAP
5	5B1373B/BL	1	SWITCH BOX BACK HALF
6	5B13650	1	INLET SOCKET
7	A1001/BL	1	HANDLE SOCKET BOX
8	IN10X3-4PT	4	№10 x 3/4" PLASTITE SCREW
9	5B16173	1	NEG. LIGHT 110V & RETAINING RING
10	A1621/BL	2	TRIGGER RELEASE MOUNTING
11	A1620	2	TRIGGER RELEASE SPRING
12	M6X25SP	2	M6X25 POZIFAN SCREW
13	5B13764/BL	2	HANDLE END CAP
14	M4N	2	M4 FULL NUT
15	5B13780/BL	2	HANDLE SWITCH LEVER
16	5B13373	1	CABLE GLAND - M18
17	A1141	3	HANDLE LEVER PIVOT PIN
18	G1412/BL	1	HANDLE FLUID LEVER
19	5B13788	1	HANDLE FLUID LEVER HOOK
20			
21	5B16772	2	'POP' RIVET 6S.2 x B (1/8" x 5/16")
22	A1849/CH	1	CABLE RESTRAINT BRACKET - GREY HAMMER
23			
24			
25			
26	M4X10CH5	2	M4 x 10 SLOTTED SCREW
27			
28			
29			
30	A1852	1	300mm INSIDE BEND FULL ROD
31	5B15482	1	CORD GUIDE - BLACK
32	D0360	1	BRUSH / CABLE HOOK
33	A1854	2	CABLE RETENTION RING
34	G1542 52"		LEAD (1.5mm) 3 CORE
35	M6NSEI	1	M6 BINX STIFF NUT
36	M4SH	2	M4 SHAKEPROOF WASHER
37	G1471	1	WELDED GEAR ASSY
38	M6SH	4	M6 SHAKEPROOF WASHER
39	A1896	1	PIVOT BOLT
40	A1741	1	HANDLE POSITION SELECTOR
41	A1743	1	SELECTOR SPRING
42	A1853	1	BELLOWS 27mm DIA.
43	M6X25SP	4	M6 x 25 POZIFAN SCREW
44	5B16424	4	'POP' RIVET 3/16" x 1/2" LONG
45	B1082	2	BRACKET (QUICK RELEASE)
46	IN10X1.1-2PP	4	№ 10 x 1.1 1/2" POZIFANHEAD SCREW
47	5B13783/BL	2	HANDLE LEVER ENTRY SHIELD
48	5B13781/BL	1	HANDLE ADJUSTMENT LEVER
49	M4N	2	M4 NUT
50	G1492	1	110V LABEL
51	M6X25PP	1	M6 x 25 POZIDRIVE PANHEAD SCREW
52	M6WSP	2	M6 SPRING WASHER
53	D0619/BL	1	CORD HOOK - BLACK
54	M6X30PP	1	M6 x 30 POZIDRIVE PANHEAD SCREW

ITEM	ASSY No	QTY.	DESCRIPTION
A	D1000	1	HIGH VIBELITY UK CABLE PACK ASSY PLUG TO BE REMOVED
B	AYT2017/CH	1	DOWN TUBE ASSEMBLY-GREY HAMMER
C	AYH1006	1	FILTER CASE ASSEMBLY
D	AYH2025	1	HOSE ASSY FOR FILTER CASE

WHEN ORDERING PLEASE QUOTE PART No. AND PART DESCRIPTION