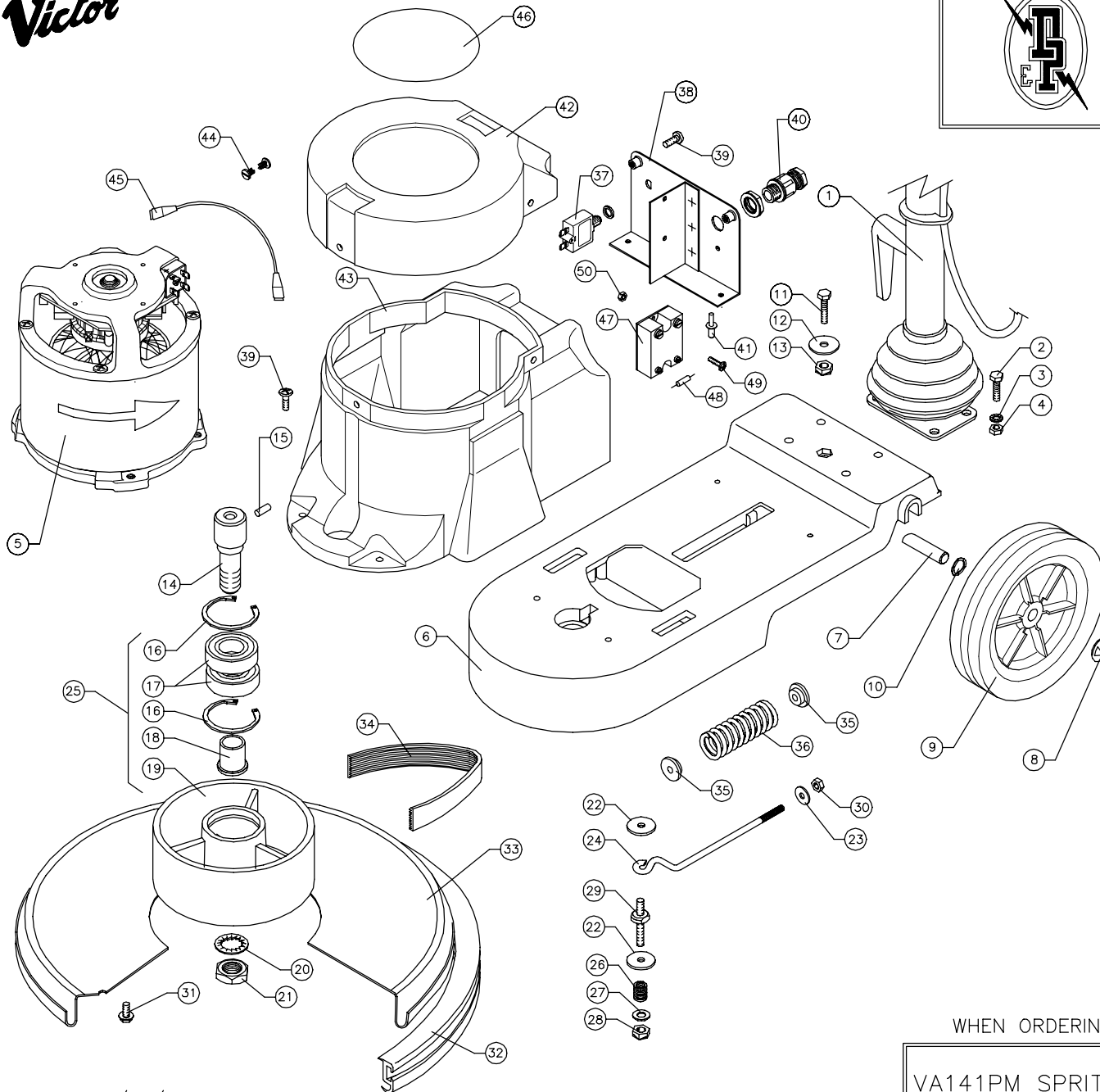


Victor



DOWDING & PLUMMER Ltd.
 CALTHORPE HOUSE, STOCKFIELD ROAD,
 BIRMINGHAM B27 6AP – ENGLAND
 TEL: 0121-706-5771 FAX: 0121-708-1052



ITEM	PART No.	QTY.	DESCRIPTION
1	AYH1808	1	HANDLE ASSY.
2	M8X30BH	4	M8x30 HEX HEAD SCREW
3	M8WS	4	M8 SPRING WASHER
4	M8N	4	M8 NUT
5	AYM2176	1	PM MOTOR ASSY 115v (ø24 SHAFT)
6	C1487	1	BASE – GREY HAMMER
7	A1379/PLTD	1	WHEEL AXLE 250mm
8	SBI3005/A	2	12mm STARLOCK CAP
9	SBI6101	2	BLACK REINFORCED 200mm WHEEL
10	SBI3666	2	WAVY WASHER – PLW4
11	M8X35BH	1	M8x35 HEX HEAD SCREW
12	A1378	1	30X9X2.5 WASHER
13	M8NSB	1	M8 STIFF NUT
14	C1479	1	CENTRE FEED PULLEY BOLT
15	SBI5550	1	1/4" x 5/8" SELOCK PIN
16	SBI3485	2	CIRCLIP 52mm INTERNAL
17	SBI3412	2	BEARING – LJ25mm
18	A1456	1	BEARING SLEEVE
19	A1700	1	ø157mm OUTPUT PULLEY
20	M20WSH	1	M20 SHAKEPROOF WASHER
21	M20NH	1	M20 HALF NUT
22	A1378	6	WASHER (30x9x2.5mm)
23	11-4X3-4W	2	1/4" x 3/4" WASHER
24	A1377	1	EYEBOLT
25	AYP1016	1	DRIVE PULLEY ASSY
26	A2132	3	MOTOR STUD SPRING
27	M8W	3	M8 PLAIN WASHER
28	M8NSB	3	M8 BINX STIFF NUT
29	A1223/PLTD	3	MOTOR DRIVE STUD
30	M6N	2	M6 NUT
31	M6X12TT	5	M6 x 12 TAPTITE SCREW
32	A1753/A/BL	1	1270mm BUFFER RING – BLACK
33	B1055/GH	1	BRUSH COVER – 400mm
34	SBI3823	1	220J16 POLYVEE DRIVE BELT
35	A1151	2	SPRING LOCATOR
36	A1159	1	BELT ADJUSTING SPRING
37	SBI6251	1	12A CIRCUIT BREAKER
38	C1491	1	CABLE ENTRY PANEL
39	M6X12SP	4	M6 x 12 PAN HEAD SCREW
40	SBI5833	1	M16 CABLE GLAND
41	SBI5424	2	POP RIVET 3/16" x 1/2" LONG
42	C1481	1	TOP COVER
43	C1482	1	MOTOR COVER
44	SBI6350	3	SNIP & SNAP RIVET
45	C1414	1	RECTIFIER – CUT OUT LINK LEAD
46	SBI5477	1	VICTOR WORLD MOTOR TOP LABEL
47	SBI6353	1	SPEED CONTROLLER PSR 25
48	SBI6352	1	RESISTOR 0.5W 30kOHM
49	M4X10SP	2	M4 x 10 POZIDRIVE PANHEAD SCREW
50	M4N	2	M4 NUT

WHEN ORDERING PLEASE QUOTE PART No. AND PART DESCRIPTION

VA141PM SPRITE 400 DRIVE ASSY STD SP-110V PM MOTOR

FROM 25.02.97 TO

D.ELMES 25/02/97 16:13 PL133-1