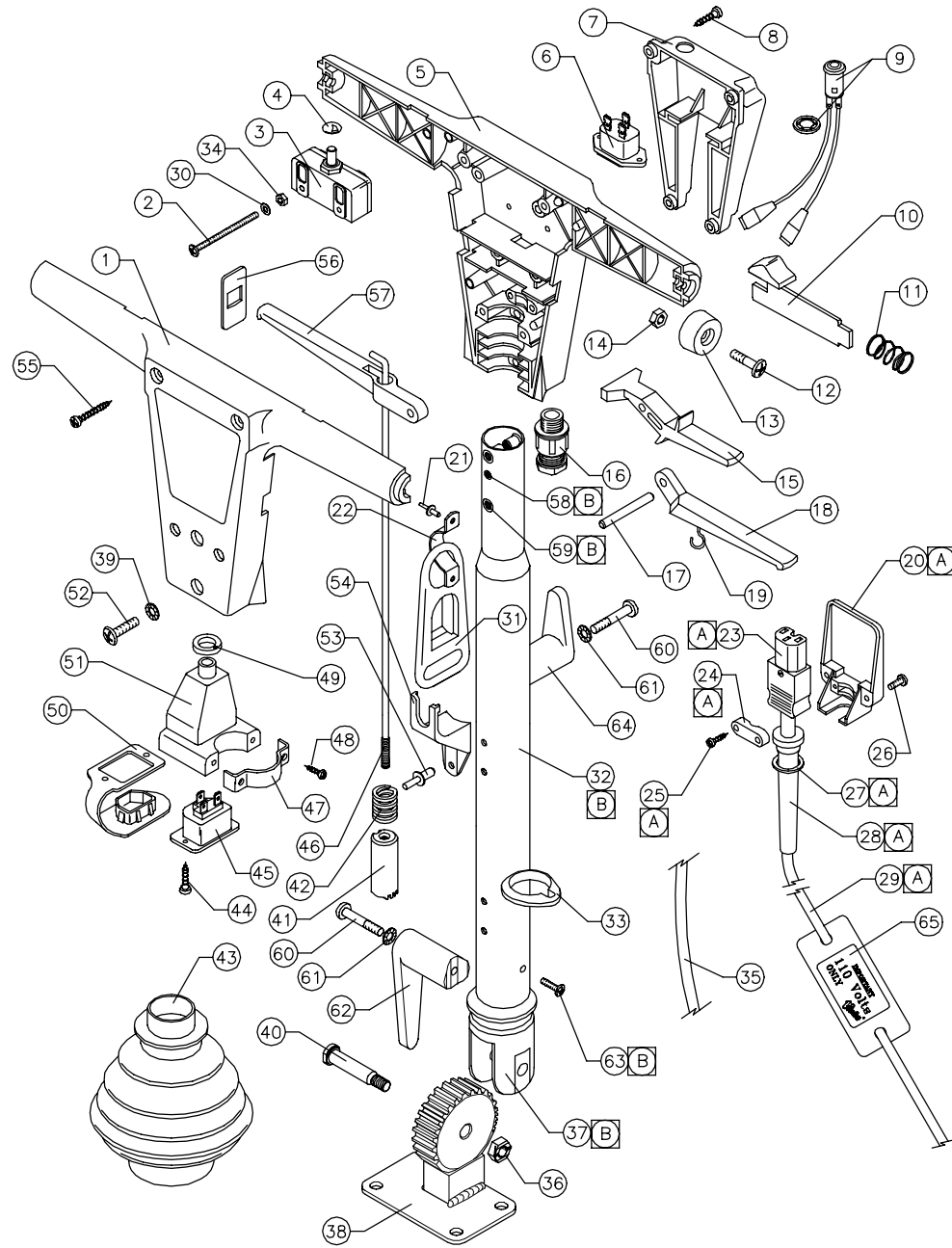


EUROPA HANDLE ASSY. AYH1810 110V



M.TONKS 01/05/97 12:52 PL140-2

EUROPA HANDLE ASSY. AYH1810 110V

ITEM	PART No	QTY.	DESCRIPTION
1	SBI3759/WB	1	SWITCH BOX FRONT HALF - MARINE BLUE
2	M4x 55PP	2	M4x55 POZIPAN SCREW
3	SBI3738	2	SINGLE POLE ON/OFF SWITCH
4	SBI3744	2	1/4" STARLOCK CAP
5	SBI3758/WB	1	SWITCH BOX BACK HALF - MARINE BLUE
6	SBI3650	1	INLET SOCKET
7	A1001/WB	1	HANDLE SOCKET BOX - MARINE BLUE
8	IN10X3-4PT	4	No10 x 3/4" PLASTITE SCREW
9	SBI6173	1	NEON LIGHT 110V & RETAINING RING
10	A1621	2	TRIGGER RELEASE MOULDING
11	A1620	2	TRIGGER RELEASE SPRING
12	M6X20SP	2	M6x20 POZIPAN SCREW
13	SBI3764/WB	2	HANDLE END CAP - MARINE BLUE
14	M6N	2	M6 FULL NUT
15	SBI3760/BL	2	HANDLE SWITCH LEVER - BLACK
16	SBI3373	1	CABLE GLAND - M16
17	A1141	3	HANDLE LEVER PIVOT PIN
18	C1412/BL	1	HANDLE FLUID LEVER - BLACK
19	SBI3766	1	HANDLE FLUID LEVER HOOK
20	A1315/WB	1	CABLE INLET MOULDING - MARINE BLUE
21	SBI5772	2	'POP' RIVET #3.2 x 8 (1/8" x 5/16")
22	A1649/GH	1	CABLE RESTRAINT BRACKET - GREY HAMMER
23	SBI3648	1	STRAIGHT CONNECTOR - REWIREABLE
24	SBI3765/WB	1	CABLE CLAMP - MARINE BLUE
25	IN8X5-8PP	2	No 8 x 5/8" POZIPAN HEAD SCREW
26	M4X10CHS	2	M4 x 10 SLOTTED SCREW
27	A1189/A	1	FIBRE WASHER #17 x #22 x 2.5
28	A1316/BL	1	GROMMET SLEEVE - BLACK
29	SBI3688	40FT	CABLE 1.5mm - GREY
30	M4SH	2	M4 SHAKEPROOF WASHER
31	SBI5482	1	CORD GUIDE - BLACK
32	C1515	1	DOWN TUBE
33	A1854	2	CABLE RETENTION RING
34	M4N	2	M4 NUT
35	C1542	52"	LEAD (1.5mm) 3 CORE
36	M8NSB	1	M8 BINX STIFF NUT
37	B1102	1	CLEVIS
38	C1471	1	WELDED GEAR ASSY.
39	M6SH	4	M6 SHAKEPROOF WASHER
40	A1896	1	PIVOT BOLT
41	A1741	1	HANDLE POSITION SELECTOR
42	A1743	1	SELECTOR SPRING
43	A1953	1	BELLOW 27mm DIA.
44	IN6X1-2PP	2	No.6 x 1/2" POZIPANHEAD SCREW
45	SBI5551	1	SOCKET OUTLET
46	A1852	1	800mm INSIDE BEND PULL ROD
47	A1807/GH	1	BRACKET QUICK RELEASE - GREY HAMMER
48	M5X30PP	2	M5 x 30 SPAX POZIDRIVE PANHEAD SCREW
49	SBI5602	1	RUBBER WASHER
50	A1746	1	HANDLE INLET SOCKET COVER
51	A1686	1	INLET SOCKET BOX MOULDING
52	M6X20SP	4	M6 x 20 POZIPAN SCREW
53	SBI5424	4	'POP' RIVET 3/16" x 1/2" LONG
54	B1062	2	BRACKET (QUICK RELEASE)
55	IN10X1.1-2PP	4	No 10 x 1 1/2" POZIPANHEAD SCREW
56	SBI3763/WB	2	HANDLE LEVER ENTRY SHIELD - MARINE BLUE
57	SBI3761/BL	1	HANDLE ADJUSTMENT LEVER - BLACK
58	SBI3771	1	M4 THIN SHEET NUTSERT
59	SBI3772	6	M6 THIN SHEET NUTSERT
60	M6X35PP	2	M6 x 35 POZIDRIVE PANHEAD SCREW
61	M6WSP	2	M6 SPRING WASHER
62	DP819/GH	1	CORD HOOK - GREY HAMMER
63	M4X12SC	1	M4 x 12 TRILOBE SCREW
64	C1380/GH	1	BRUSH HOOK - GREY HAMMER
65	C1492	1	110V LABEL

ITEM	ASSY No	QTY.	DESCRIPTION
A	SBI5296	1	CABLE ASSEMBLY (ITEMS 20,23,24,25,27,28 & 29)
B	AYT2017/GH	1	DOWN TUBE ASSEMBLY-GREY HAMMER (ITEMS 32,37,58,59 & 63)

M.TONKS 01/05/97 12:52 PL140-2

FROM 01.05.97 TO