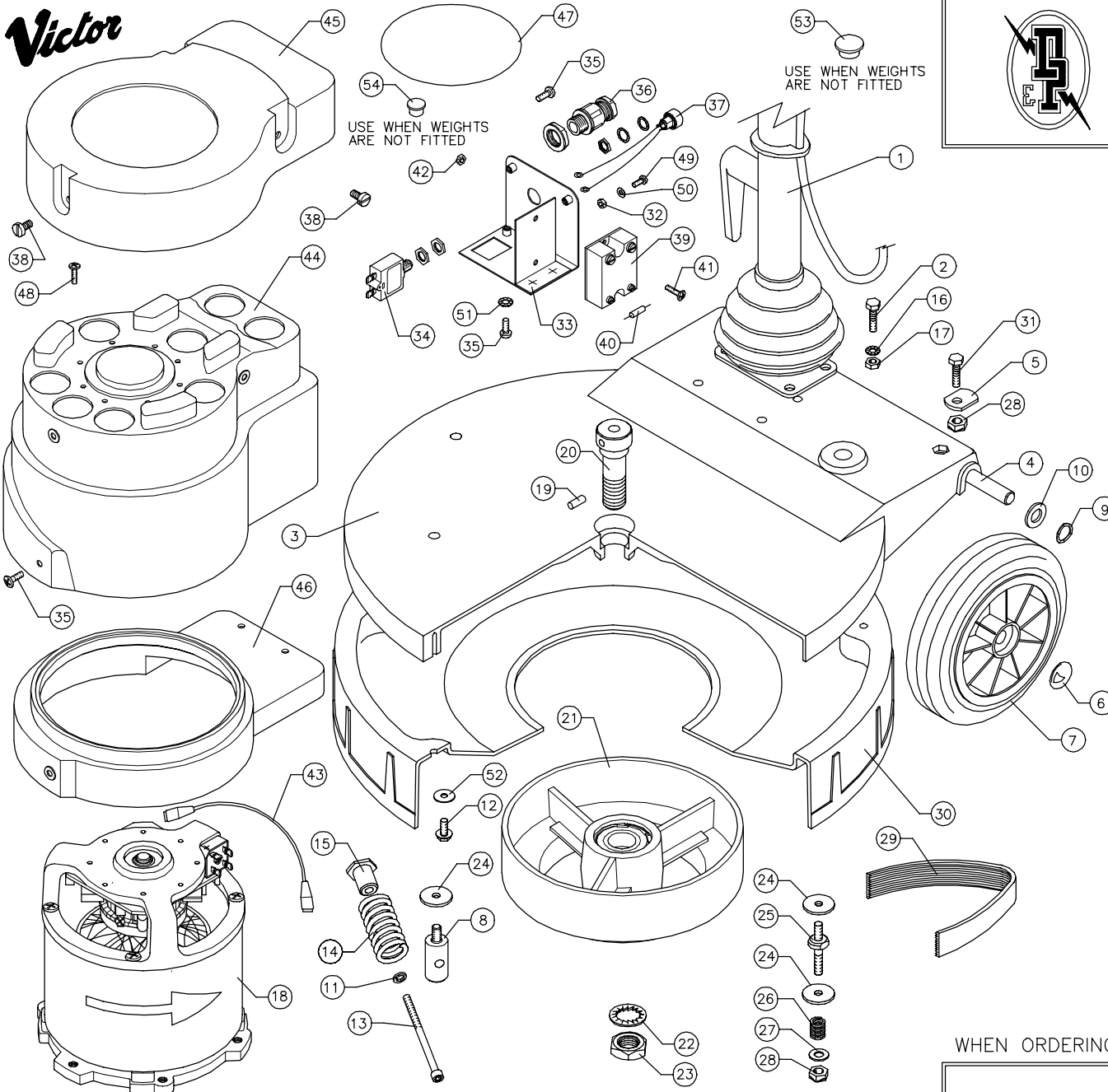


Victor



DOWDING & PLUMMER Ltd.

CALTHORPE HOUSE, STOCKFIELD ROAD,
BIRMINGHAM B27 6AP – ENGLAND

TEL: 0121-706-5771 FAX: 0121-708-1052

ITEM	PART No.	QTY.	DESCRIPTION
1	AYH1282	1	110V TROJAN HANDLE ASSY.
2	M8X30BH	4	M8 x 30 HEX HEAD SCREW
3	B1288/GH	1	BASE CASTING – GREY HAMMER
4	A1299/PLTD	1	430mm WHEEL AXLE – PLATED
5	A1849	2	AXLE CLAMP
6	SBI3005/A	2	12mm STARLOCK CAP
7	C1587	2	175mm WHEEL – REINFORCED BLACK
8	A1766	1	MOTOR PILLAR STUD
9	SBI3666	2	WAVEY WASHER – PLW4
10	M12W	2	12mm PLAIN WASHER
11	M6W	1	6mm PLAIN WASHER
12	M6X20TT	5	M6 x 20 TAPTITE SCREW
13	A1864	1	BELT TENSIONING SCREW – M6x90
14	A1850	1	SPRING
15	A1865	1	SPRING RETAINER
16	M8WSP	4	M8 SPRING WASHER
17	M8N	4	M8 NUT
18	AYM2176/A	1	MOTOR ASSY PMHG/55/7/1.18 110V
19	SBI5550	1	1/4" x 5/8" SELOCK PIN
20	A1674	1	CENTRE FEED PULLEY BOLT
21	AYP1021	1	Ø214.5mm OUTPUT PULLEY ASSEMBLY
22	M20WSH	1	M20 SHAKEPROOF WASHER
23	M20NH	1	M20 HALF NUT
24	A1378	7	WASHER (30x9x2.5mm)
25	A1843	3	MOTOR STUD
26	A2132	3	MOTOR STUD SPRING
27	M8W	3	M8 PLAIN WASHER
28	M8NSB	5	M8 BINX STIFF NUT
29	SBI5768	1	280J16 POLYVEE DRIVE BELT
30	B1126	1	TROJAN UNDERSIDE COVER
31	M8X35BH	2	M8 x 35 HEX SCREW
32	M4NB	1	M4 NUT BRASS
33	C1631	1	CABLE ENTRY PANEL
34	SBI5500	1	12A CIRCUIT BREAKER
35	M5X12BPP	4	M5 x 12 PAN HEAD SCREW BLACK
36	SBI5833	1	M16 CABLE GLAND
37	C1537	1	SPEED CONTROLLER KNOB/LEAD ASSY
38	SBI6439	3	M6 x 12 NYLON PAN HEAD SCREW SLOTTED
39	SBI6353	1	SPEED CONTROLLER PSR 25
40	SBI6361	1	RESISTOR 0.66W 56kOHM
41	M4X10SP	2	M4 x 10 POZIPAN HEAD SCREW
42	M4N	2	M4 NUT
43	C1414	1	RECTIFIER – CUT OUT LINK LEAD
44	C1632	1	MOTOR COVER
45	C1633	1	MOTOR TOP COVER
46	C1634	1	MOTOR EXHAUST COVER
47	SBI5477	1	VICTOR WORLD MOTOR TOP LABEL
48	M4X12TT	4	M4 x 12 TAPTITE SCREW
49	M4X10SPB	1	M4 x 10 POZIPAN BRASS
50	M4WB	1	M4 WASHER BRASS
51	M5WSH	2	M5 SHAKEPROOF WASHER
52	IL-4X3-4W	5	1/4"x3/4" PLAIN WASHER
53	SBI6652	1	Ø18.4 PROTECTION PLUG
54	SBI6655	2	Ø12.3 PROTECTION PLUG

WHEN ORDERING PLEASE QUOTE PART No. AND PART DESCRIPTION

110V TROJAN 500 DRIVE ASSY VAR SP-VA361PM