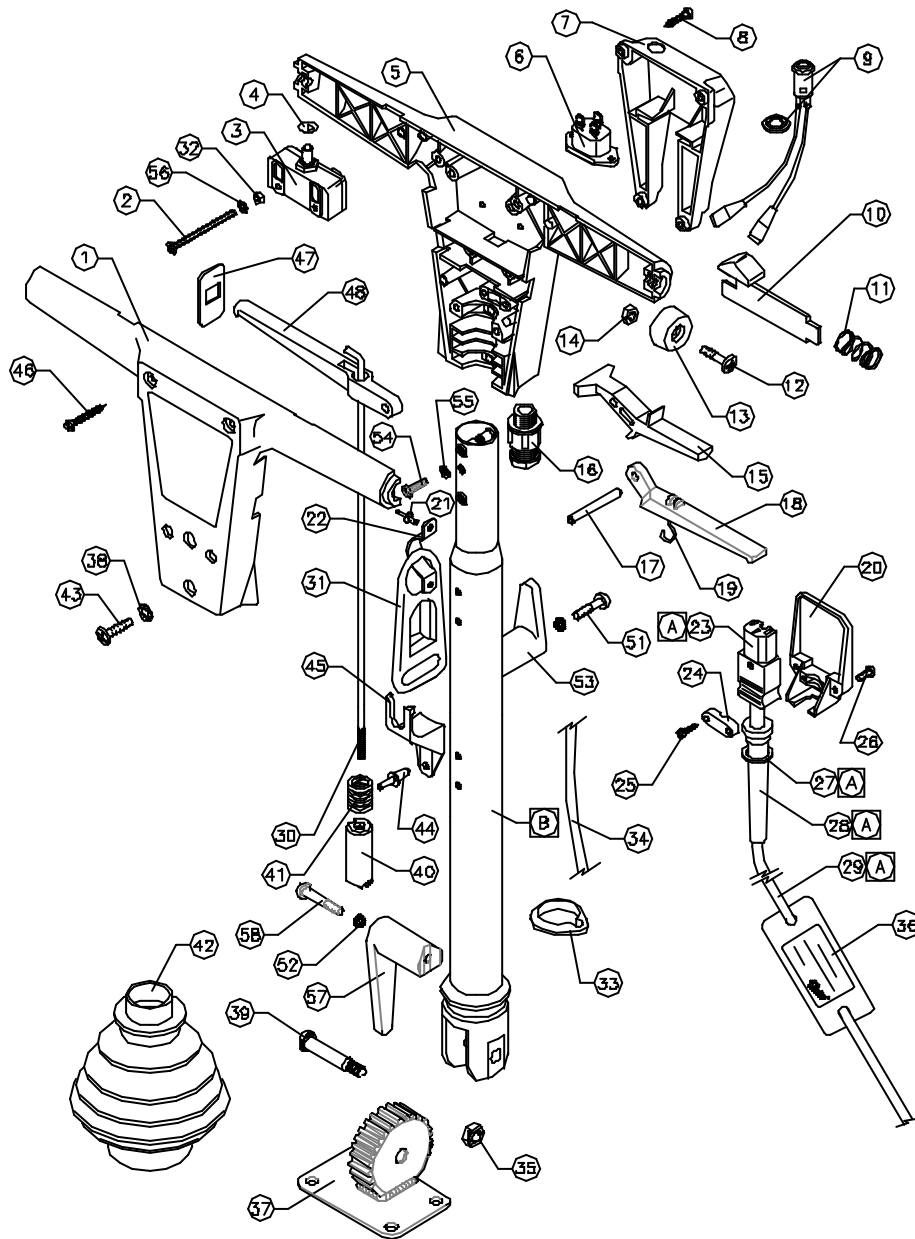


Victor



DOWDING & PLUMMER Ltd.

CALTHORPE HOUSE, STOCKFIELD ROAD,
BIRMINGHAM B27 6AP - ENGLAND
TEL: 0121-706-5771 FAX: 0121-708-1052



ITEM	PART No	QTY.	DESCRIPTION
1	SB3759/BL	1	SWITCH BOX FRONT HALF
2	M4X55PP	2	M4X55 POZIPAN SCREW
3	SB3738	2	SINGLE POLE ON/OFF SWITCH
4	SB3744	2	1/4" STARLOCK CAP
5	SB3758/BL	1	SWITCH BOX BACK HALF
6	SB3850	1	INLET SOCKET
7	A1001/BL	1	HANDLE SOCKET BOX
8	IN10X3-4PT	4	No10 x 3/4" PLASTITE SCREW
9	SB6173	1	NEON LIGHT 110V & RETAINING RING
10	A1621/BL	2	TRIGGER RELEASE MouldING
11	A1620	2	TRIGGER RELEASE SPRING
12	M6X20SP	2	M6X20 POZIPAN SCREW
13	SB3764/BL	2	HANDLE END CAP
14	M8N	2	M8 FULL NUT
15	SB3760/BL	2	HANDLE SWITCH LEVER
16	SB3373	1	CABLE GLAND - M16
17	A1141	3	HANDLE LEVER PIVOT PIN
18	C1412/BL	1	HANDLE FLUID LEVER
19	SB3766	1	HANDLE FLUID LEVER HOOK
20	A1315/BL	1	CABLE INLET MouldING
21	SB6772	2	"POP" RIVET #3.2 x 8 (1/8" x 5/16")
22	A1649/CH	1	CABLE RESTRAINT BRACKET GREY HAMMER
23	SB3848	1	STRAIGHT CONNECTOR - REWIREABLE
24	SB3765/BL	1	CABLE CLAMP
25	INBXS-8PP	2	No 8 x 5/8" POZIPAN HEAD SCREW
26	M4X10CHS	2	M4 x 10 SLOTTED SCREW
27	A1189/A	1	FIBRE WASHER #17 x #22 x 2.5
28	A1315/BL	1	GROMMET SLEEVE BLACK
29	SB6321	12M	CABLE 2.5mm
30	A1852	1	800mm INSIDE BEND PULL ROD
31	SB5482	1	CORD GUIDE BLACK
32	M4N	2	M4 NUT
33	A1854	2	CABLE RETENTION RING
34	C1542	52"	DOWNLEAD (1.5mm) 3 CORE
35	M8NSB	1	M8 BINX STIFF NUT
36	C1482	1	110V LABEL
37	B115D	1	WELDED GEAR ASSY
38	M6SH	4	M6 SHAKEPROOF WASHER
39	A1886	1	PIVOT BOLT
40	A1741	1	HANDLE POSITION SELECTOR
41	A1743	1	SELECTOR SPRING
42	A1953	1	BELLOW 27mm DIA.
43	M6X20SP	4	M6 x 20 POZIPAN SCREW
44	SB5424	4	"POP" RIVET 3/16" x 1/2" LDNG
45	B1082	2	BRACKET (QUICK RELEASE)
46	IN10X1.1-2PP	4	No 10 x 1 1/2" POZIPANHEAD SCREW
47	SB3763/BL	2	HANDLE LEVER ENTRY SHIELD
48	SB3761/BL	1	HANDLE ADJUSTMENT LEVER
49	SB3771	1	M4 THIN SHEET NUTSERT
50	SB3772	6	M6 THIN SHEET NUTSERT
51	M6X25PP	1	M6 x 25 POZIDRIVE PANHEAD SCREW
52	M8WSP	2	M8 SPRING WASHER
53	DD38D	1	BRUSH / CABLE HOOK
54	M4X10SPB	1	M4 x 10 POZIPAN BRASS
55	M4WB	1	4mm BRASS WASHER (9mm O/D)
56	M4SH	2	M4 SHAKEPROOF WASHER
57	DFB19/BL	1	CORD HOOK - BLACK
58	M6X35PP	1	M6 x 35 POZIDRIVE PANHEAD SCREW

ITEM	ASSY No	QTY.	DESCRIPTION
A	AYC1046	1	CABLE ASSEMBLY (ITEMS 23,27,28 & 29)
B	AYT2009	1	DOWN TUBE ASSEMBLY

WHEN ORDERING PLEASE QUOTE PART No. AND PART DESCRIPTION

AYH1282 - TROJAN HANDLE ASSY - 110V