

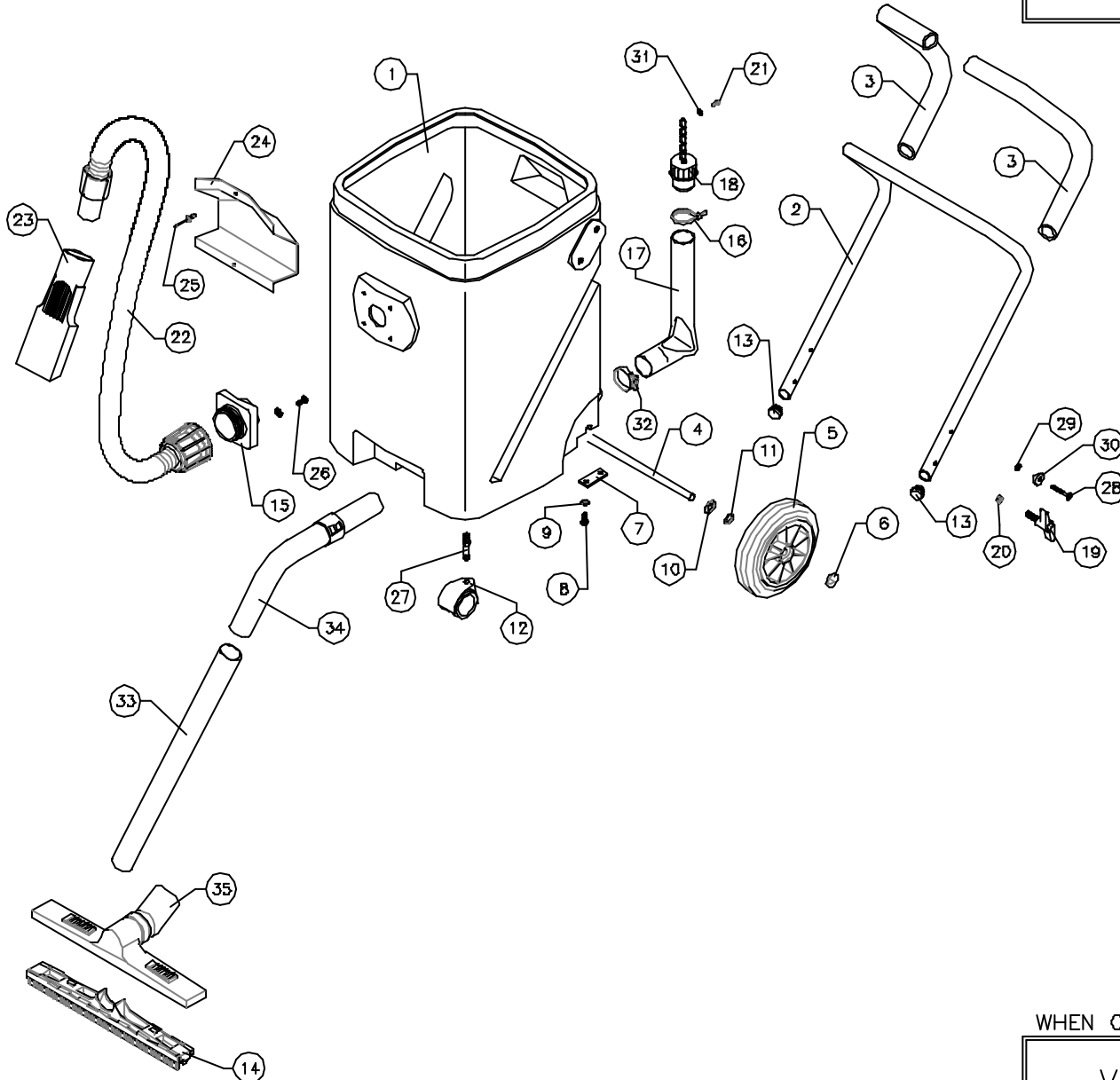
Victor



DOWDING & PLUMMER Ltd.

CALTHORPE HOUSE, STOCKFIELD ROAD,
BIRMINGHAM B27 6AP - ENGLAND

TEL: 0121-706-5771 FAX: 0121-708-1052



ITEM	PART No.	QTY.	DESCRIPTION
1	C1551	1	MAIN TANK 35L
2	C1606	1	HANDLE
3	C1607	2	HANDLE FOAMGRIP
4	A1879/PLTD	1	WHEEL AXLE PLATED
5	C1587	2	Ø175mm REINFORCED WHEEL
6	SB13005/A	2	12mm STARLOCK CAP
7	C1561	2	WHEEL AXLE LOCATION PLATE
8	M6X16PF	4	M6 x 16 POZIPAN SCREW
9	M6WSH	4	M6 SHAKEPROOF WASHER
10	M12W	2	M12 PLAIN WASHER
11	SB13666	2	WAVEY WASHER - PLW4
12	SB16400	2	Ø50 TWIN RUBBER WHEEL CASTOR
13	SB16385	2	Ø22 TUBE END PLUG
14	SB16428	1	SQUEEGEE TOOL INNER
15	C1805	1	TUB INTAKE RADIUS
16	SB15015	1	4.8 x 370 CABLE TIE
17	D0143B	1	FLAT LAY DUMP HOSE
18	C1635	1	DUMP HOSE CAP ASSY
19	SB16473	2	M8 HANDLE ADJUSTMENT KNOB
20	M8NUT	2	M8 NYLOC NUT
21	M4X12PP	1	M4 x 12 POSI PAN HEAD SCREW
22	AH2032	1	WV35 HOSE ASSEMBLY
23	SB16428	1	CREVICE NOZZLE
24	C1582	1	INLET DEFLECTOR PLATE
25	SB16441	2	Ø5 x 25 EXPANSION RIVET
26	M4X20SP	4	M4 x 20 SPAX
27	SB16389	2	CASTOR STUD
28	M6X40PFB	2	M6 x 40 POZIPAN SCREW BLACK
29	M6WB	2	M6 PLAIN WASHER BLACK
30	SB16433	2	SADDLE WASHER
31	M4W	6	M4 PLAIN WASHER
32	SB16442	1	Ø40 JUBILEE HOSE CLIP
33	SB16468	2	Ø38 STAINLESS STEEL DOWNTUBE
34	SB16469	1	Ø38 STAINLESS STEEL 30° BEND
35	SB16427	1	FLOOR TOOL OUTER

WHEN ORDERING PLEASE QUOTE PART No. AND PART DESCRIPTION

V-WV35 35L TANK ASSY FOR WET USE