

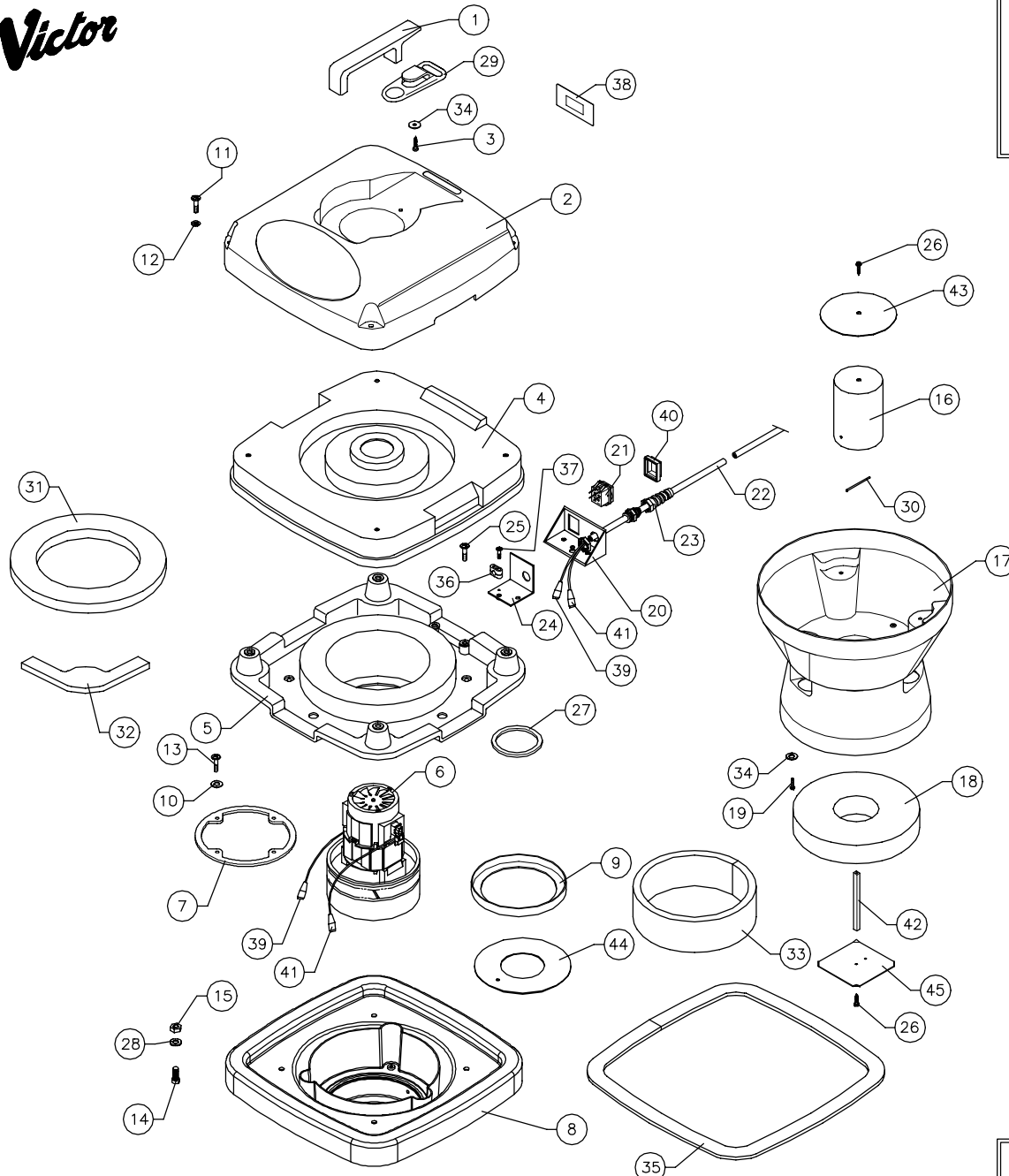
Victor



DOWDING & PLUMMER Ltd.

CALTHORPE HOUSE, STOCKFIELD ROAD,
BIRMINGHAM B27 6AP – ENGLAND

TEL: 0121-706-5771 FAX: 0121-708-1052



ITEM	PART No.	QTY.	DESCRIPTION
1	B1356	1	HANDLE
2	C1575	1	TOP COVER
3	M4X20SP	2	SCREW PH 4 x 20mm SPAX
4	C1576	1	INNER COVER
5	C1577	1	CHAMBER DIVIDER
6	FSG2505101	1	MOTOR 110V
7	C1593A	1	MOTOR INTERMEDIATE GASKET
8	C1861	1	MOTOR HOUSING/BAFFLE ASSY
9	C1610	1	MOTOR MOUNTING RING
10	I1-4X3-4W	5	1/4" x 3/4" PLAIN WASHER
11	M6X25PPB	4	M6 x 25 POZIPAN SCREW BLACK
12	M6WB	4	M6 PLAIN WASHER BLACK
13	IN10X5-8STPP	4	SCREW FLGD No10 x 5/8" AB POINT S/TAP
14	M8X20CHS	4	M8 x 20 PLASTIC SCREW
15	M8N	4	M8 NUT
16	C1568	1	FLOAT BOTTLE
17	C1612	1	FLOAT CHAMBER/GUARD ASSY
18	C1570	1	POLYETHYLENE FLOAT
19	M4X16PP	3	M4 x 16 POZIPAN SCREW
20	C1597	1	SWITCH BRACKET
21	C1715	1	SWITCH
22	SB16471	1	POWER CORD (12.5M) 2 CORE 1.5mm2 BLACK
23	SB16534	1	CABLE RESTRAINT
24	C1598	1	SWITCH BRACKET SUPPORT PLATE
25	M6X16PP	2	M6 x 16 POZIPAN SCREW
26	M4X16PP.SPAX	2	M4 x 16mm PH SCREW SPAX
27	C1593B	1	MOTOR TOP SEAL
28	M8W	4	M8 PLAIN WASHER
29	SB15482	1	CORD GUIDE – BLACK
30	SB16385	3	PLASTIC RIVET STEM
31	C1603	1	FOAM RING
32	C1602	4	FOAM CORNER INSERT
33	C1605	1	MOTOR BAFFLE GASKET
34	I3-16X3-4W	5	3/16" x 3/4" PLAIN WASHER
35	SB16440	1	POWER HEAD GASKET STRIP
36	SB16406	1	CABLE GRIP
37	M4X25SP	1	M4 x 25 POZIPAN SCREW
38	C1386	1	SERIAL NUMBER LABEL
39	SB13315	2	6.4mm FEMALE CABLE TAB
40	SB16413	1	SWITCH SPLASHPROOF COVER
41	SB15932	2	6.4mm CABLE TAB BOOT
42	C1684	1	MAGNET PLATE SUPPORT STRIP
43	C1686	1	FLOAT BOTTLE PLATE
44	C1647	1	MOTOR SEATING PLATE
45	C1682	1	MAGNET PLATE

WHEN ORDERING PLEASE QUOTE PART No. AND PART DESCRIPTION

AYP2001 WV35 POWER HEAD ASSEMBLY 110V