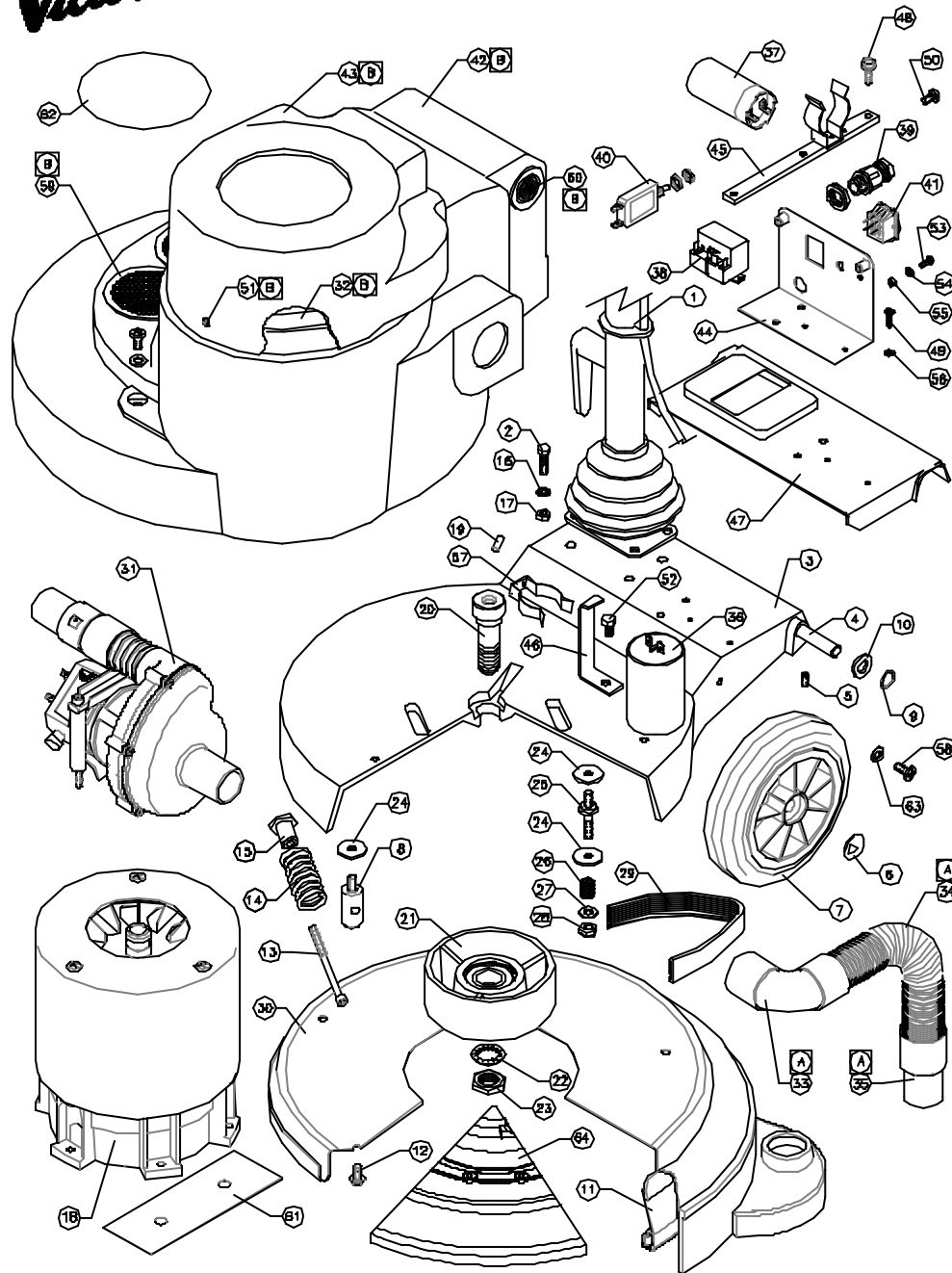


Victor



DOWDING & PLUMMER Ltd.

CALTHORPE HOUSE, STOCKFIELD ROAD,
BIRMINGHAM B27 6AP - ENGLAND
TEL: 0121-706-5771 FAX: 0121-708-1052

| ITEM | PART No. | QTY. | DESCRIPTION | ITEM | PART No. | QTY. | DESCRIPTION |
|------|------------|------|--------------------------------|------|------------|------|---------------------------------|
| 1 | SEE TABLE | 1 | HANDLE ASSY. | 58 | M6X12BPPTT | 3 | M6X12 POZI HD TAPITTE SCREW BLK |
| 2 | M6X30BH | 4 | M6 x 30 HEX HEAD SCREW | 59 | SB16301 | 2 | AIR VENT GRILLE PLATE LARGE BLK |
| 3 | C1426 | 1 | BASE CASTING | 60 | SB16382 | 2 | AIR VENT GRILLE PLATE SMALL |
| 4 | A1878/PLTD | 1 | WHEEL AXLE PLATED 380mm | 61 | C1553 | 2 | MELANEX STRIP |
| 5 | M6X8SC | 1 | M6 x 8 SOCKET GRUB SCREW | 62 | SB15477 | 1 | VICTOR WORLD MOTOR TOP LABEL |
| 6 | SB13005/A | 2 | 12mm STARLOCK CAP | 63 | M8WB | 3 | M8 WASHER BLACK |
| 7 | SB16181/NT | 2 | 200mm WHEEL - REINFORCED BLK | 64 | VB45141 | 1 | DRIVE BOARD ASSEMBLY |
| 8 | A1766 | 1 | MOTOR PILLAR STUD | | | | |
| 9 | SB13666 | 2 | WAVEY WASHER - PLW4 | | | | |
| 10 | M12W | 2 | 12mm PLAIN WASHER | | | | |
| 11 | AYS1018 | 1 | AIRFLOW SKIRT ASSEMBLY | | | | |
| 12 | M6X12TT | 5 | M6 x 12 TAPITTE SCREW | | | | |
| 13 | A1884 | 1 | BELT TENSIONING SCREW - M6x8D | | | | |
| 14 | A1850 | 1 | SPRING | | | | |
| 15 | A1865 | 1 | SPRING RETAINER | | | | |
| 16 | M8WSP | 4 | M8 SPRING WASHER | | | | |
| 17 | M8N | 4 | M8 NUT | | | | |
| 18 | SEE TABLE | 1 | MOTOR ASSY. | | | | |
| 19 | SB16560 | 1 | 1/4" x 5/8" SELLOCK PIN | | | | |
| 20 | A1674 | 1 | CENTRE FEED PULLEY BOLT | | | | |
| 21 | AYP1016 | 1 | Ø137mm OUTPUT PULLEY ASSEMBLY | | | | |
| 22 | M20WSH | 1 | M20 SHAKEPROOF WASHER | | | | |
| 23 | M20NH | 1 | M20 HALF NUT | | | | |
| 24 | A1376 | 7 | WASHER (30-Øx2.5mm) | | | | |
| 25 | A1843 | 3 | MOTOR STUD | | | | |
| 26 | A2132 | 3 | MOTOR STUD SPRING | | | | |
| 27 | M8W | 3 | M8 PLAIN WASHER | | | | |
| 28 | M8NSE | 3 | M8 BINX STIFF NUT | | | | |
| 29 | SB13823 | 1 | 220V16 POLYVEE DRIVE BELT | | | | |
| 30 | B1054/CH | 1 | BRUSH COVER PRESSING - 450mm | | | | |
| 31 | AYM1405 | 1 | VAC MOTOR ASSY. 220/240V | | | | |
| 32 | C1821 | 1 | FOAM STRIP SEAL | | | | |
| 33 | C1437 | 1 | 90° HOSE END | | | | |
| 34 | SB16136/A | 1 | STRETCH HOSE - 200mm LONG | | | | |
| 35 | SB16668 | 1 | HOSE SLEEVE 32mm BLACK | | | | |
| 36 | SB15311 | 1 | RUN CAPACITOR 30 MFD | | | | |
| 37 | SB15228 | 1 | START CAPACITOR 125 MFD | | | | |
| 38 | SB13858 | 1 | 2CR4-234 START RELAY | | | | |
| 39 | SB16833 | 1 | M16 CABLE GLAND | | | | |
| 40 | SB15500 | 1 | CIRCUIT BREAKER 12 AMP | | | | |
| 41 | C1715 | 1 | ROCKER SWITCH | | | | |
| 42 | C1418/A | 1 | MAN BODY COVER | | | | |
| 43 | C1837 | 1 | MOTOR TOP COVER | | | | |
| 44 | C1770 | 1 | SWITCH MOUNTING PLATE | | | | |
| 45 | C1836 | 1 | VAC MOTOR/CAPACITOR M16 BAR | | | | |
| 46 | C1520 | 1 | CAPACITOR MOUNTING BRACKET | | | | |
| 47 | C1421 | 1 | BASE CASTING REAR COVER | | | | |
| 48 | M6X20TT | 2 | M6 x 20 TAPITTE HEX HEAD SCREW | | | | |
| 49 | M3X16SP | 2 | M3 x 16 POZIPAN HEAD SCREW | | | | |
| 50 | M6X12SP | 2 | M6 x 12 POZIPAN HEAD SCREW | | | | |
| 51 | SB16385 | 3 | EXPANSION RIVET Ø6 | | | | |
| 52 | M6X12BH | 1 | M6 x 12 HEX HEAD SCREW | | | | |
| 53 | M4X12SPB | 1 | M4 x 12 SCREW POZIPAN BRASS | | | | |
| 54 | M4WB | 1 | M4 WASHER BRASS | | | | |
| 55 | M4NB | 1 | M4 NUT BRASS | | | | |
| 56 | M3WSP | 2 | M3 SPRING WASHER | | | | |
| 57 | SB16175 | 1 | SPRING CLIP | | | | |

| ITEM | ASSY No. | QTY. | DESCRIPTION | MODEL | DESCRIPTION | HANDLE ASSY | MOTOR ASSY |
|------|----------|------|---|---------------|------------------|-------------|------------|
| A | AYH2025 | 1 | HOSE ASSY FOR BRUSH SKIRT (INCLUDES ITEMS:33,34&35) | VA4517 | 240V/50HZ/1 150W | AYH1800 | AYM2184 |
| | | | | VA451721A | 220V/50HZ/1 150W | AYH1800 | AYM2182 |
| B | C1560/A | 1 | MOTOR BODY COVER ASSY (INCLUDES ITEMS:42,43,51,56,60&62) | VA4517FULLTON | 220V/50HZ/1 150W | AYH1800 | AYM2182 |

WHEN ORDERING PLEASE QUOTE PART No. AND PART DESCRIPTION

VA4517 AIRFLOW STD SPEED 220/240V RANGE