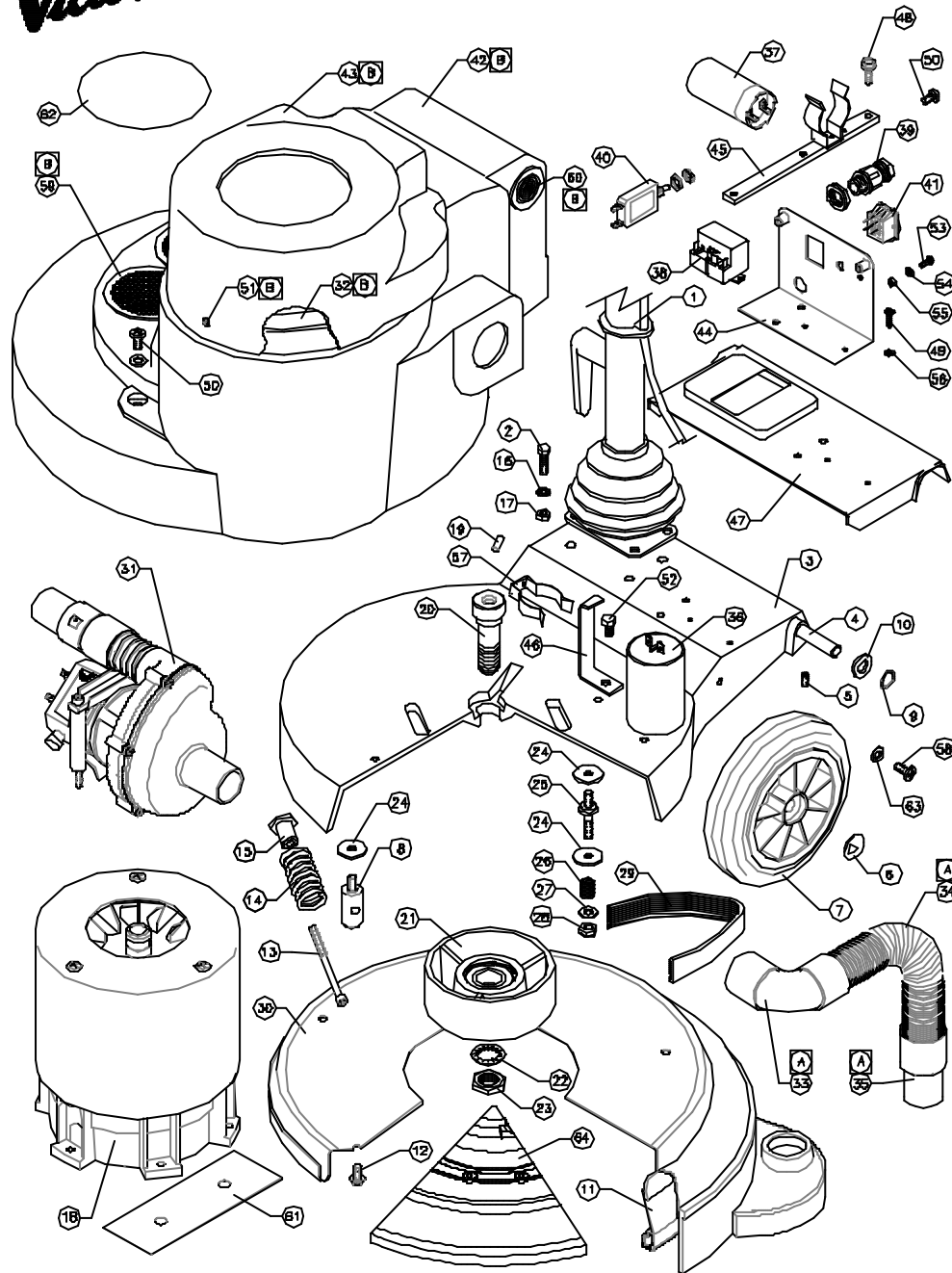


Victor



DOWDING & PLUMMER Ltd.

CALTHORPE HOUSE, STOCKFIELD ROAD,
BIRMINGHAM B27 6AP - ENGLAND
TEL: 0121-706-5771 FAX: 0121-708-1052

ITEM	PART No.	QTY.	DESCRIPTION	ITEM	PART No.	QTY.	DESCRIPTION
1	SEE TABLE	1	HANDLE ASSY.	58	M6X12BPPT	2	M6X12 POZI HD TAPITTE SCREW BLK
2	N6X30BH	4	M6 x 30 HEX HEAD SCREW	59	SB16301	2	AIR VENT GRILLE PLATE LARGE BLK
3	C1426	1	BASE CASTING	60	SB16382	2	AIR VENT GRILLE PLATE SMALL
4	A1878/PLTD	1	WHEEL AXLE PLATED 380mm	61	C1553	2	MELANEX STRIP
5	N6X8SC	1	M6 x 8 SOCKET GRUB SCREW	62	SB15477	1	VICTOR WORLD MOTOR TOP LABEL
6	SB13005/A	2	12mm STARLOCK CAP	63	M8WB	3	M8 WASHER BLACK
7	SB16181/NT	2	200mm WHEEL - REINFORCED BLK	64	VB45141	1	DRIVE BOARD ASSEMBLY
8	A1766	1	MOTOR PILLAR STUD				
9	SB13666	2	WAVEY WASHER - PLW4				
10	M12W	2	12mm PLAIN WASHER				
11	AYS1018	1	AIRFLOW SKIRT ASSEMBLY				
12	N6X12TT	5	M6 x 12 TAPITTE SCREW				
13	A1884	1	BELT TENSIONING SCREW - M6x8D				
14	A1850	1	SPRING				
15	A1865	1	SPRING RETAINER				
16	NBWSF	4	M8 SPRING WASHER				
17	NBN	4	M8 NUT				
18	SEE TABLE	1	MOTOR ASSY.				
19	SB1656D	1	1/4" x 5/8" SELLOCK PIN				
20	A1674	1	CENTRE FEED PULLEY BOLT				
21	AYP1016	1	Ø137mm OUTPUT PULLEY ASSEMBLY				
22	M20WSH	1	M20 SHAKEPROOF WASHER				
23	M20NH	1	M20 HALF NUT				
24	A1376	7	WASHER (30-Øx2.5mm)				
25	A1843	3	MOTOR STUD				
26	A2132	3	MOTOR STUD SPRING				
27	NBW	3	M8 PLAIN WASHER				
28	NBNSE	3	M8 BINX STIFF NUT				
29	SB13823	1	220x16 POLYVEE DRIVE BELT				
30	B1054/CH	1	BRUSH COVER PRESSING - 450mm				
31	AYN1405	1	VAC MOTOR ASSY. 220/240V				
32	C1821	1	FOAM STRIP SEAL				
33	C1437	1	90° HOSE END				
34	SB16136/A	1	STRETCH HOSE - 200mm LONG				
35	SB16668	1	HOSE SLEEVE 32mm BLACK				
36	SB15311	1	RUN CAPACITOR 30 MFD				
37	SB15228	1	START CAPACITOR 125 MFD				
38	SB13858	1	2CR4-234 START RELAY				
39	SB16833	1	M16 CABLE GLAND				
40	SB15500	1	CIRCUIT BREAKER 12 AMP				
41	C1715	1	ROCKER SWITCH				
42	C1418/A	1	MAN BODY COVER				
43	C1837	1	MOTOR TOP COVER				
44	C1770	1	SWITCH MOUNTING PLATE				
45	C1836	1	VAC MOTOR/CAPACITOR M16 BAR				
46	C1520	1	CAPACITOR MOUNTING BRACKET				
47	C1421	1	BASE CASTING REAR COVER				
48	N6X20TT	2	M6 x 20 TAPITTE HEX HEAD SCREW				
49	N3X16SP	2	M3 x 16 POZIPAN HEAD SCREW				
50	N6X12SP	3	M6 x 12 POZIPAN HEAD SCREW				
51	SB16385	3	EXPANSION RIVET Ø6				
52	NBx12BH	1	M8 x 12 HEX HEAD SCREW				
53	M4X12SPB	1	M4 x 12 SCREW POZIPAN BRASS				
54	M4WB	1	M4 WASHER BRASS				
55	M4NB	1	M4 NUT BRASS				
56	M3WSP	2	M3 SPRING WASHER				
57	SB16175	1	SPRING CLIP				

ITEM	ASSY No.	QTY.	DESCRIPTION	MODEL	DESCRIPTION	HANDLE ASSY	MOTOR ASSY
A	AYH2025	1	HOSE ASSY FOR BRUSH SKIRT (INCLUDES ITEMS:33,34&35)	VR-AF450	240V/50HZ/1 150W	AYH1800	AYM2184
B	C1560/A	1	MOTOR BODY COVER ASSY (INCLUDES ITEMS:42,43,51,56,60&32)	VA451721A	220V/50HZ/1 150W	AYH1800	AYM2182
				VA4517FULTON	220V/50HZ/1 150W	AYH1800	AYM2182

WHEN ORDERING PLEASE QUOTE PART No. AND PART DESCRIPTION

VR-AF450 AIRFLOW STD SPEED 220/240V RANGE