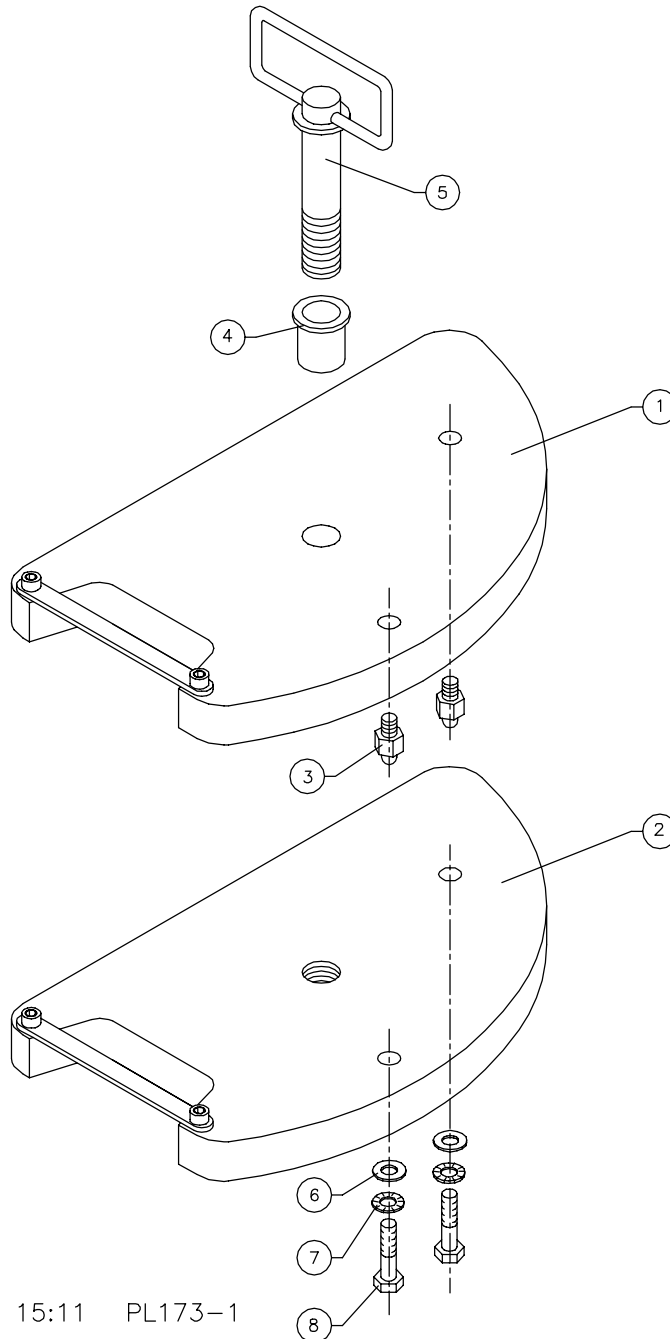


Victor



DOWDING & PLUMMER Ltd.

CALTHORPE HOUSE, STOCKFIELD ROAD,
BIRMINGHAM B27 6AP – ENGLAND
TEL: 0121-706-5771 FAX: 0121-708-1052



ITEM	PART No.	QTY.	DESCRIPTION
1	B1381	1	10kg WEIGHT (DRILL ϕ 21)
2	B1382	1	10kg WEIGHT (DRILL & TAP M20)
3	A2038	2	LOCATION PEG (SUPPLIED WITH B1381)
4	A1456	1	SLEEVE
5	A1961	1	CENTRE PIN / HANDLE ASSY
6	-	2	M8 PLAIN WASHER
7	-	2	M8 SHAKEPROOF WASHER
8	-	2	M8 x 20 HEX HD SCREW

B1383 – 20kg WEIGHT (2 STACK) FOR TROJAN GENERAL ARRANGEMENT

WHEN ORDERING PLEASE QUOTE PART No. AND PART DESCRIPTION

AYW2002 20kg TROJAN WEIGHT ASSEMBLY

FROM 19.05.98 TO

D.ELMES 19/05/98 15:11 PL173-1