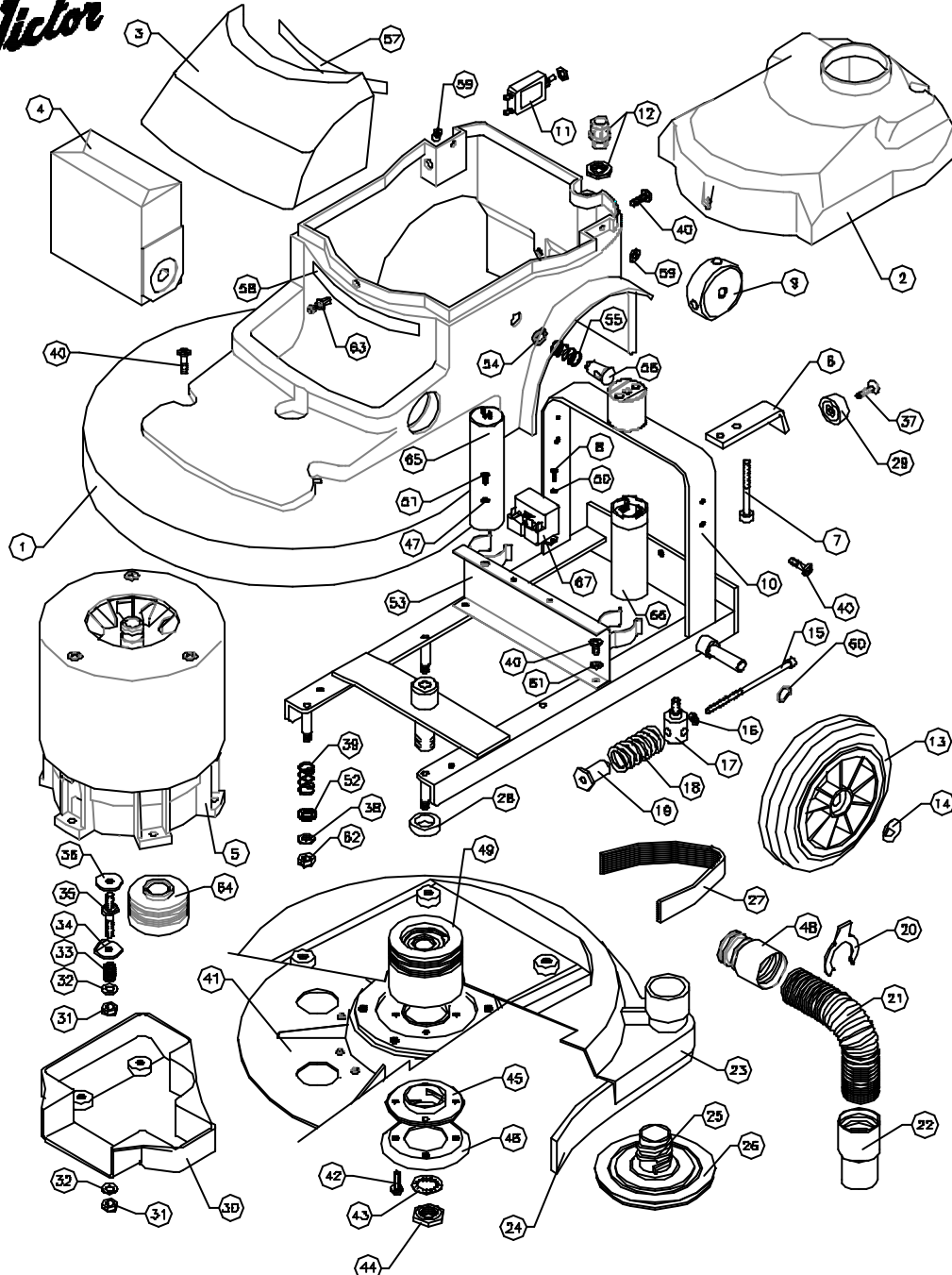


**Victor**



**DOWDING & PLUMMER Ltd.**

CALTHORPE HOUSE, STOCKFIELD ROAD,  
BIRMINGHAM B27 6AP - ENGLAND  
TEL: 0121-706-5771 FAX: 0121-708-1052



ITEM	PART No.	QTY.	DESCRIPTION	ITEM	PART No.	QTY.	DESCRIPTION
1	C172B	1	BODY MouldING	58	M5W	2	M5 x 14 O/D PLAIN WASHER
2	C172B	1	TOP MOTOR COVER	60	SB13886	2	WAVEY WASHER - PLW4
3	C1387	1	FRONT DUST BAG COVER	61	M6WSH	2	M6 SHAKEPROOF WASHER
4	C1456	1	DUST BAG	62	M6NSB	4	M6 NUT - BINX
5	SEE TABLE		MOTOR ASSY.	63	SB16038	1	SCRIVET
6	C1721	1	BACK BRACKET	64	C1724	1	MOTOR PULLEY #65 JB
7	M6X7BSC	2	SOCKET SCREW M6x70mm	65	SB18066	1	30MFD RUN CAPACITOR
8	M3X16SP	2	M3X16 POZIPAN HEAD SCREW	66	SB15226	1	125MFD START CAPACITOR
9	C1389	1	SELECTOR PIVOT	67	SB13958	1	2CR4-256 START RELAY
10	C1702/A	1	WELDED FRAME				
11	SB15300	1	CIRCUIT BREAKER 12AMP.				
12	SB15833	1	CABLE GLAND M16				
13	SB16101/NT	2	WHEEL #20D REINFORCED-BLACK				
14	SB13005/A	2	SPRING CAP 1/2"				
15	M6X1256C	1	SOCKET CAP SCREW M6 x 125mm				
16	I1-4X3-4W	1	1/4" 1/D x 3/4" O/D WASHER				
17	A2064	1	MOTOR PILLAR STUD				
18	A1850	1	SPRING #30 x 50				
19	A1865	1	SPRING RETAINER				
20	C1381	1	HOSE CLIP				
21	SB18136/F	1	STRETCH HOSE				
22	SB16566	1	HOSE END 32mm - BLACK				
23	C1519	1	SKIRT ASSY.				
24	C4004/A	1	DIFFUSER FLOOR SEAL				
25	B1163	1	PAD RETAINER				
26	A1842	1	POLYETHYLENE WASHER				
27	C172B	1	DRIVE BELT 30D JB				
28	A2062	1	PULLEY SPACER				
29	SB13784/BL	1	HANDLE END CAP - BLACK				
30	C1388	1	DRIVE BELT GUARD				
31	M6NSB	6	M6 NUT - BINX				
32	M6W	7	M6 PLAIN WASHER				
33	A2132	3	SPRING #14 x 15				
34	A2069	3	FOLDED WASHER				
35	A2066	3	MOTOR STUD				
36	A1378	4	PLAIN WASHER #30x#9x2.5				
37	M6X20CSK	1	M6 x 20 SCREW - PDZIDRIVE C'SUNK HEAD				
38	M6W	4	M6 PLAIN WASHER				
39	A1820	4	SPRING #17 x 25				
40	M6X10SP	7	M6 x 10 SCREW - PDZIPAN				
41	AYD1016	1	15" DRIVE PLATE ASSY.				
42	M6X20FPITT	4	M6 x 20 SCREW - TAPITITE				
43	M20WSP	1	M20 SPRING WASHER				
44	M20NH	1	M20 HALF NUT				
45	B1164	1	RETAINER NUT				
46	A1882	1	REINFORCING RING				
47	M4WB	1	M4 PLAIN WASHER BRASS				
48	B1367/BL	1	SWIVEL END INNER - BLACK				
49	AYP1038	1	#80mm x 70mm DRIVE PULLEY ASSY.				
50	N3WSP	2	N3 SPRING WASHER				
51	N4X10SPB	1	N4X10 POZIPAN HEAD SCREW BRASS				
52	N12W	4	N12 PLAIN WASHER				
53	C1705	1	CAPACITOR MOUNTING BRACKET				
54	A1844	1	FIXING WASHER - #10mm				
55	A1820	1	SPRING #17 x 25				
56	A1845	1	ANCHOR FIN (15mm) PLASTIC				
57	SB18328	1	HOOK STRIP				
58	SB18327	1	LOOP STRIP				

MODEL	DESCRIPTION	HANDLE ASSY	MOTOR ASSY
VA531	240V/50HZ/1150W	AYH1289	AYM2185
VA531021A	220V/50HZ/1150W	AYH1289	AYM2185
VA531022A	220V/50HZ/1150W VDE	AYH1290	AYM2185
VA531FULLTON	220V/50HZ/1150W	AYH1289	AYM2185

WHEN ORDERING PLEASE QUOTE PART No. AND PART DESCRIPTION

VA531 LYNX 15" DRIVE ASSY 220/240V RANGE