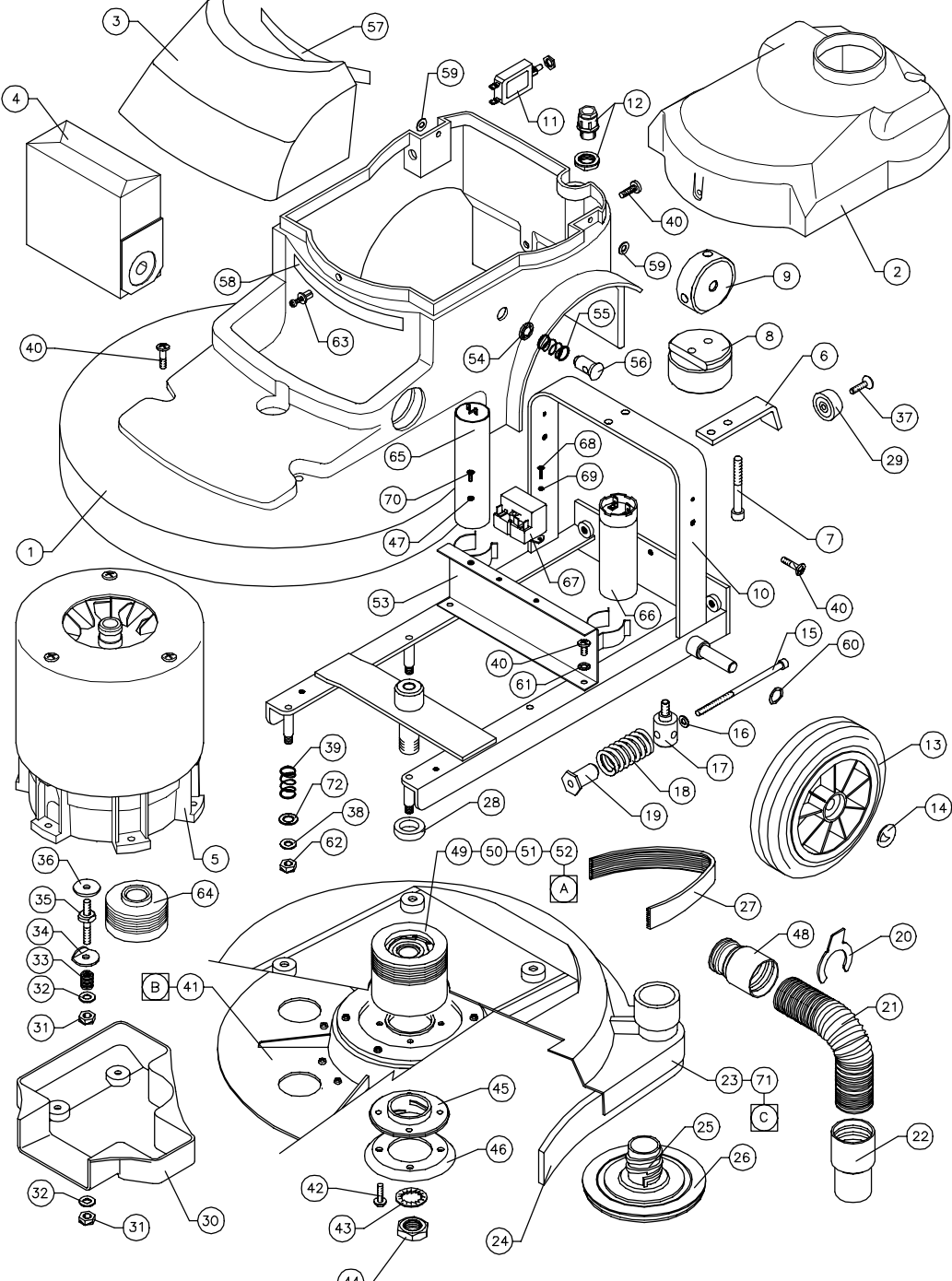


VA531 - LYNX 15" BURNISHER 240/220V RANGE



VA531 - LYNX 15" BURNISHER 240/220V RANGE

| ITEM | PART No. | QTY. | DESCRIPTION | ITEM | PART No. | QTY. | DESCRIPTION |
|------|------------|--------|---|------|----------|------|--------------------------------|
| 1 | C1725 | 1 | BODY Moulding | 59 | M6W | 2 | M6 x 14 O/D PLAIN WASHER |
| 2 | C1726 | 1 | TOP MOTOR COVER | 60 | SBI3666 | 2 | WAVEY WASHER - PLW4 |
| 3 | C1397 | 1 | FRONT DUST BAG COVER | 61 | M6WSH | 2 | M6 SHAKEPROOF WASHER |
| 4 | C1456 | 1 | DUST BAG | 62 | M8NSB | 4 | M8 NUT - BINX |
| 5 | SEE TABLE | 1 | MOTOR ASSY. | 63 | SBI6039 | 1 | SORVET |
| 6 | C1721 | 1 | BACK BRACKET | 64 | C1724 | 1 | MOTOR PULLEY Ø65 J8 |
| 7 | M8X70SC | 2 | SOCKET SCREW M8x70mm | 65 | SBI6056 | 1 | 30MFD RUN CAPACITOR |
| 8 | C1401 | 1 | MOUNTING BLOCK | 66 | SBI5228 | 1 | 125MFD START CAPACITOR |
| 9 | C1399 | 1 | SELECTOR PIVOT | 67 | SBI3659 | 1 | 2CR4-234 START RELAY |
| 10 | C1702 | 1 | WELDED FRAME | 68 | M3X16SP | 2 | M3X16 POZIPAN HEAD SCREW |
| 11 | SBI5500 | 1 | CIRCUIT BREAKER 12AMP. | 69 | M3WSP | 2 | M3 SPRING WASHER |
| 12 | SBI5823 | 1 | CABLE GLAND M16 | 70 | M4X10SPB | 1 | M4X10 POZIPAN HEAD SCREW BRASS |
| 13 | SBI6101/NT | 2 | WHEEL Ø200 REINFORCED-BLACK | 71 | C1802 | 1 | OUTER SKIRT |
| 14 | SBI3005/A | 2 | SPRING CAP 1/2" | 72 | M12W | 4 | M12 PLAIN WASHER |
| 15 | M6X125SC | 1 | SOCKET CAP SCREW M6 x 125mm | | | | |
| 16 | I1-4X3-4W | 1 | 1/4" I/D x 3/4" O/D WASHER | | | | |
| 17 | A2064 | 1 | MOTOR PILLAR STUD | | | | |
| 18 | A1850 | 1 | SPRING Ø30 x 50 | | | | |
| 19 | A1865 | 1 | SPRING RETAINER | | | | |
| 20 | C1391 | 1 | HOSE CLIP | | | | |
| 21 | SBI6136/F | 180mm | STRETCH HOSE | | | | |
| 22 | SBI5668 | 1 | HOSE END 32mm - BLACK | | | | |
| 23 | C1800 | 1 | INNER SKIRT | | | | |
| 24 | C1613 | 1475mm | DIFFUSER FLOOR SEAL | | | | |
| 25 | B1163 | 1 | PAD RETAINER | | | | |
| 26 | A1842 | 1 | POLYETHYLENE WASHER | | | | |
| 27 | C1728 | 1 | DRIVE BELT 300 J8 | | | | |
| 28 | A2062 | 1 | PULLEY SPACER | | | | |
| 29 | SBI3764/BL | 1 | HANDLE END CAP - BLACK | | | | |
| 30 | C1398 | 1 | DRIVE BELT GUARD | | | | |
| 31 | M8NSB | 6 | M8 NUT - BINX | | | | |
| 32 | M8W | 7 | M8 PLAIN WASHER | | | | |
| 33 | A2132 | 3 | SPRING Ø14 x 15 | | | | |
| 34 | A2069 | 3 | FOLDED WASHER | | | | |
| 35 | A2068 | 3 | MOTOR STUD | | | | |
| 36 | A1378 | 4 | PLAIN WASHER Ø30xØ9x2.5 | | | | |
| 37 | M6X20CSK | 1 | M6 x 20 SCREW - POZIDRIVE C'SUNK HEAD | | | | |
| 38 | M8W | 4 | M8 PLAIN WASHER | | | | |
| 39 | A1620 | 4 | SPRING Ø17 x 25 | | | | |
| 40 | M6X10SP | 7 | M6 x 10 SCREW - POZIPAN | | | | |
| 41 | C1403 | 1 | 15" DRIVE PLATE Moulding | | | | |
| 42 | M6X20PPTT | 4 | M6 x 20 SCREW - TAPTITE | | | | |
| 43 | M20WSP | 1 | M20 SPRING WASHER | | | | |
| 44 | M20NH | 1 | M20 HALF NUT | | | | |
| 45 | B1164 | 1 | RETAINER NUT | | | | |
| 46 | A1882 | 1 | REINFORCING RING | | | | |
| 47 | M4WB | 1 | M4 PLAIN WASHER BRASS | | | | |
| 48 | B1367/BL | 1 | SWIVEL END INNER - BLACK | | | | |
| 49 | C1723 | 1 | Ø80 x 75mm PULLEY J8 | | | | |
| 50 | SBI3412 | 2 | BEARING - LJ25mm | | | | |
| 51 | SBI3485 | 2 | CIRCLIP 52mm INTERNAL | | | | |
| 52 | A1456 | 1 | BEARING SLEEVE | | | | |
| 53 | C1703 | 1 | CAPACITOR MOUNTING BRACKET | | | | |
| 54 | A1944 | 1 | FIXING WASHER - Ø10mm | | | | |
| 55 | A1620 | 1 | SPRING Ø17 x 25 | | | | |
| 56 | A1945 | 1 | ANCHOR PIN (15mm) PLASTIC | | | | |
| 57 | SBI6328 | 200mm | 'VELCRO' HOOK STRIP SELF ADHESIVE - 20mm WIDE | | | | |
| 58 | SBI6327 | 200mm | 'VELCRO' LOOP STRIP SELF ADHESIVE - 20mm WIDE | | | | |

| ASSY. | PART No. | QTY. | DESCRIPTION |
|-------|----------|------|---------------------------------|
| A | AYP1036 | 1 | Ø80mm x 75mm DRIVE PULLEY ASSY. |
| B | AYD1016 | 1 | 15" DRIVE PLATE ASSY. |
| C | C1519 | 1 | SKIRT ASSY. |

| MODEL | DESCRIPTION | HANDLE ASSY | MOTOR ASSY |
|-------------|---------------------|-------------|------------|
| VA531 | 240V/50HZ/1150W | AYH1289 | AYM2185 |
| VA531021A | 220V/50HZ/1150W | AYH1289 | AYM2185 |
| VA531022A | 220V/50HZ/1150W VDE | AYH1290 | AYM2185 |
| VA531FULTON | 220V/50HZ/1150W | AYH1289 | AYM2185 |

WHEN ORDERING PLEASE QUOTE PART No. AND PART DESCRIPTION