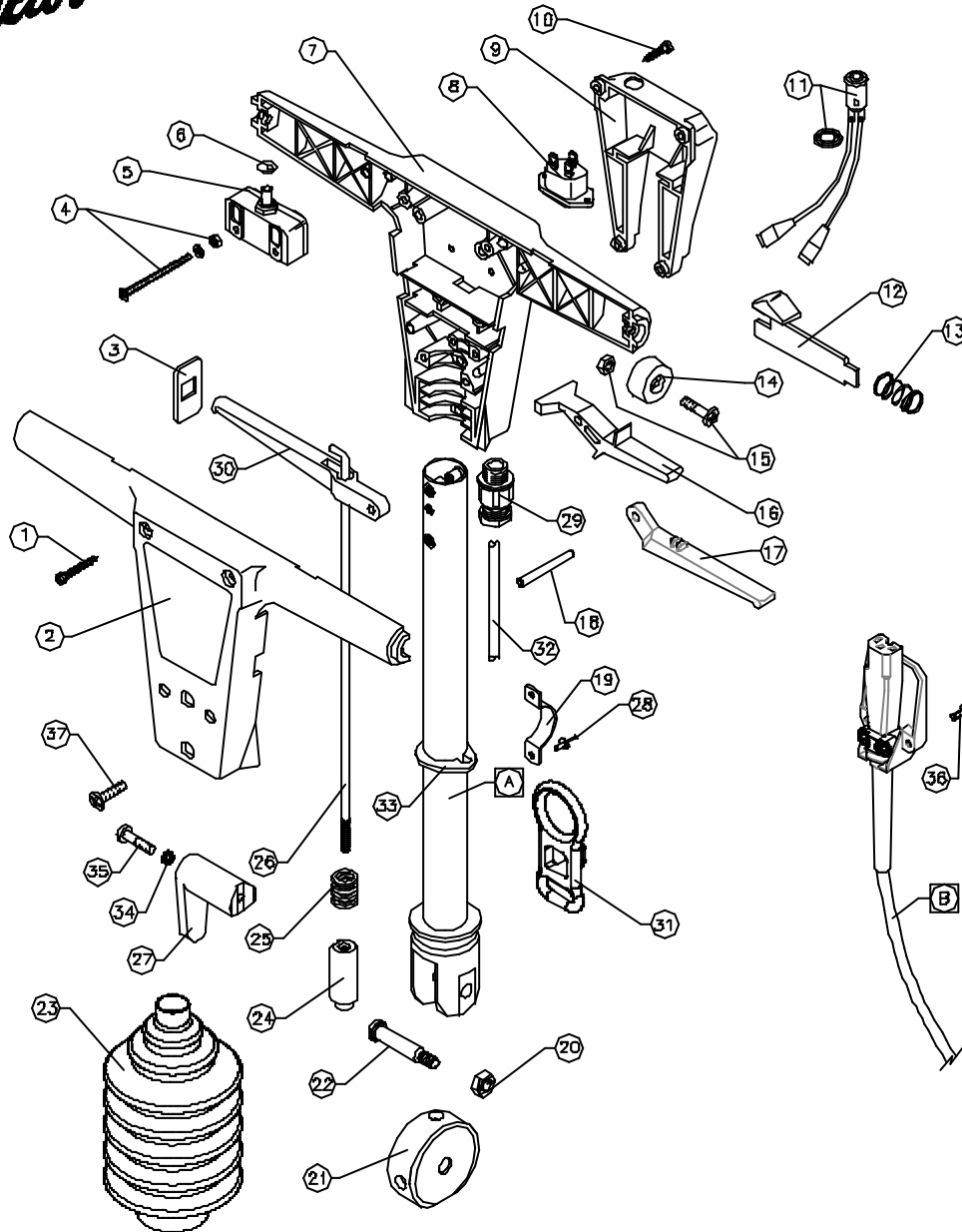


Victor



DOWDING & PLUMMER Ltd.

CALTHORPE HOUSE, STOCKFIELD ROAD,
BIRMINGHAM B27 6AP - ENGLAND
TEL: 0121-706-5771 FAX: 0121-708-1052

ITEM	PART No.	QTY.	DESCRIPTION
1	N10X1.1-2PP	4	SCREW S.T. No.10 x 1 1/2"
2	SBI3759/BL	1	SWITCH BOX Moulding - FRONT - BLACK
3	SBI3763/BL	2	LEVER ENTRY SHIELD - BLACK
4	-	2	M4x55mm SCREW, NUT ,PLAIN & S.P. WASHER
5	SBI3738	2	SINGLE POLE ON/OFF SWITCH
6	SBI3744	2	SPRING CAP 1/4"
7	SBI3758/BL	1	SWITCH BOX Moulding - REAR - BLACK
8	SBI3650	1	INLET SOCKET
9	A1001/BL	1	SOCKET BOX Moulding - BLACK
10	N10X3-4PT	4	SCREW S.T. No.10 x 3/4"
11	SBI5836	1	200/250v NEON LIGHT & RETAINING RING
12	A1621	2	TRIGGER RELEASE SLIDE-BLACK
13	A1620	2	SPRING ϕ 17x25
14	SBI3764/BL	2	HANDLE END CAP - BLACK
15	-	2	SCREW M6x20 P.H. & NUT
16	SBI3760	2	SWITCH LEVER - WHITE
17	C1412	1	FLUID LEVER - WHITE
18	A1141	3	LEVER PIVOT PIN
19	A1649/BL	2	CABLE RESTRAINT BRACKET
20	M8NSB	1	NUT - M8 BINX
21	C1399	1	SELECTOR PIVOT
22	A1896	1	PIVOT BOLT
23	D0429	1	BELLOWS
24	A1802	1	SELECTOR PLUNGER
25	A1743	1	SELECTOR SPRING
26	C1419	1	FULL ROD - 445mm
27	D0390	1	CABLE HOOK
28	SBI5772	2	"POP" RIVET ϕ 3.2 x 8 (1/8" x 5/16")
29	SBI3373	1	CABLE GLAND - M18
30	SBI3761	1	HANDLE ADJUSTMENT LEVER - WHITE
31	D0550	1	CABLE RESTRAINT
32	C1727	1	DOWNLEAD (1.5mm) 3 CORE - 960mm LONG
33	A1854	1	CABLE RETAINING RING - BLACK
34	M6WSP	1	M6 SPRING WASHER
35	M6x26PP	1	M6 x 25 POZIDRIVE PANHEAD SCREW
36	M4X10CHS	2	SCREW - M4 x 10 CHEESE HEAD SLOTTED
37	D0812	4	M6 x 20 POZIPAN SCREW

ITEM	ASSY No.	QTY.	DESCRIPTION
A	AYT2014	1	DOWN TUBE ASSY
B	AYC1050	1	CABLE ASSY - 15M 240V BLACK UK PLUG
	AYC1040	1	CABLE ASSY - 15M 220V BLACK EURO PLUG
	AYC1074	1	CABLE ASSY - 15M 240V ORANGE UK PLUG

WHEN ORDERING PLEASE QUOTE PART No. AND PART DESCRIPTION

AYH1289 - LYNX HANDLE ASSY 220/240V