

Victor

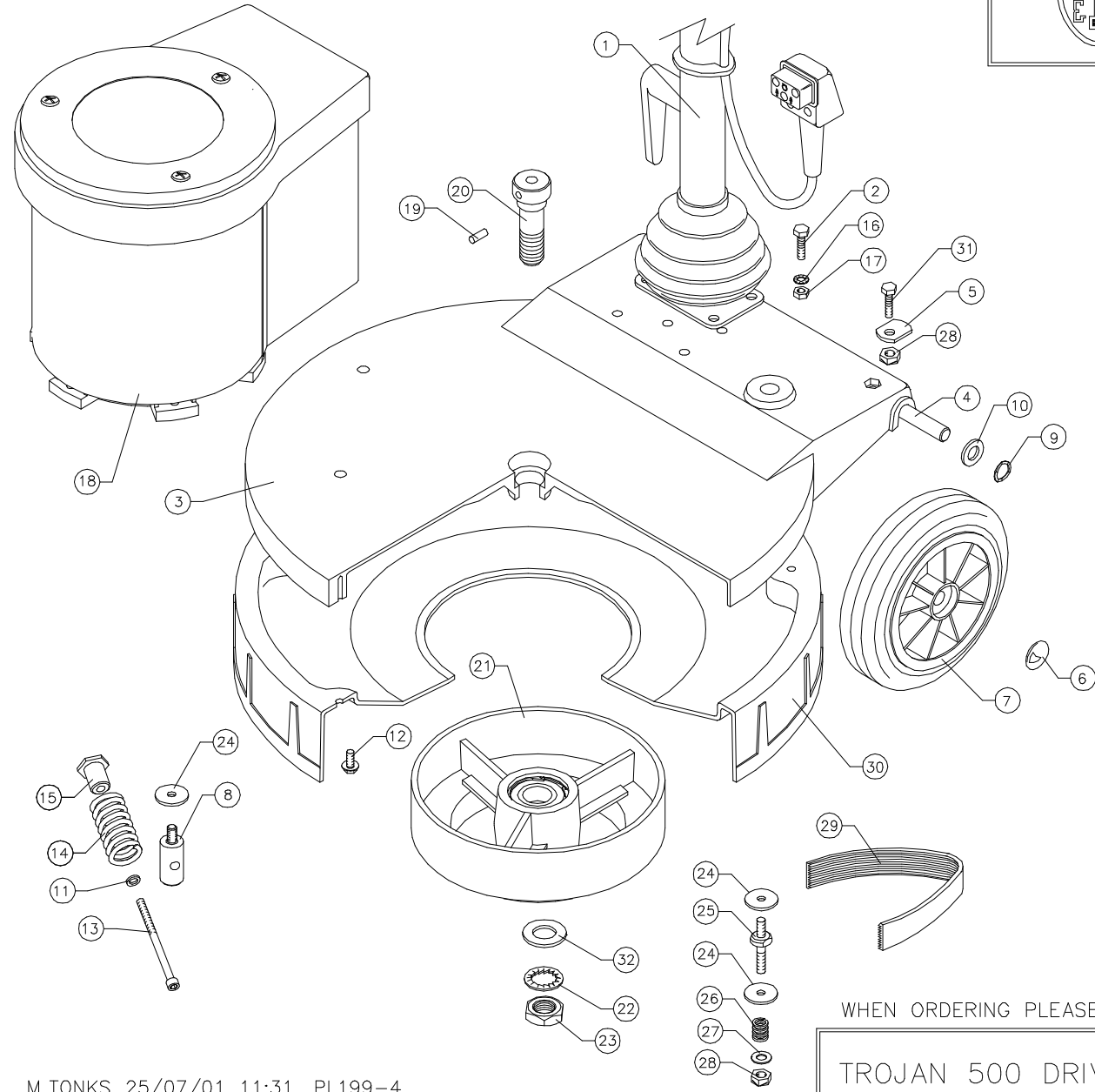
34
USE WHEN WEIGHTS
ARE NOT FITTED

33
USE WHEN WEIGHTS
ARE NOT FITTED



DOWDING & PLUMMER Ltd.

CALTHORPE HOUSE, STOCKFIELD ROAD,
BIRMINGHAM B27 6AP – ENGLAND
TEL: 0121-706-5771 FAX: 0121-708-1052



ITEM	PART No.	QTY.	DESCRIPTION
1	SEE TABLE	1	HANDLE ASSY.
2	M8X30BH	4	M8 x 30HEX HEAD SCREW
3	B1130/GH	1	TROJAN BASE
4	A1299/PLTD	1	WHEEL AXLE (430mm) TROJAN
5	A1849	2	AXLE CLAMP
6	SBI3005/A	2	12mm STARLOCK CAP
7	C1587	2	175mm WHEEL
8	A1766	1	MOTOR PILLAR STUD
9	SBI3666	2	WAVEY WASHER – PLW4
10	M12W	2	12mm PLAIN WASHER
11	M6W	1	6mm PLAIN WASHER
12	M6X20TT	5	M6 x 20 TAPTITE SCREW
13	A1864	1	BELT TENSIONING SCREW – M6x90
14	A1850	1	SPRING
15	A1865	1	SPRING RETAINER
16	M8WSP	4	M8 SPRING WASHER
17	M8N	4	M8 NUT
18	SEE TABLE	1	MOTOR ASSY.
19	SBI5550	1	1/4" x 5/8" SELOCK PIN
20	A1674	1	CENTRE FEED PULLEY BOLT
21	AYP1021	1	Ø214.5mm OUTPUT PULLEY ASSEMBLY
22	M20WSH	1	M20 SHAKEPROOF WASHER
23	M20NH	1	M20 HALF NUT
24	A1378	7	WASHER (30x9x2.5mm)
25	A1843	3	MOTOR STUD
26	A2132	3	MOTOR STUD SPRING
27	M8W	3	M8 PLAIN WASHER
28	M8NSB	5	M8 BINX STIFF NUT
29	SBI5768	1	280J16 POLYVEE DRIVE BELT
30	B1126	1	TROJAN 450 UNDERSIDE COVER
31	M8X35BH	2	M8 x 35 HEX SCREW
32	M20W	1	M20 PLAIN WASHER
33	SBI6652	1	Ø18.4 PROTECTION PLUG
34	SBI6655	2	Ø12.3 PROTECTION PLUG

MODEL	DESCRIPTION	HANDLE ASSY	MOTOR ASSY
VA361	240V/50HZ/1000W	AYH1230	AYM2157
VA361021A	220V/50HZ/1000W	AYH1230	AYM2157
VA361022A	220V/50HZ/1000W VDE	AYH1228	AYM2157
VA361FULTON	220V/50HZ/1000W	AYH1230	AYM2157
VA361031A	220V/60HZ/1000W	AYH1230	AYM2170

WHEN ORDERING PLEASE QUOTE PART No. AND PART DESCRIPTION

TROJAN 500 DRIVE ASSY LOW SP-VA361 240/220V RANGE