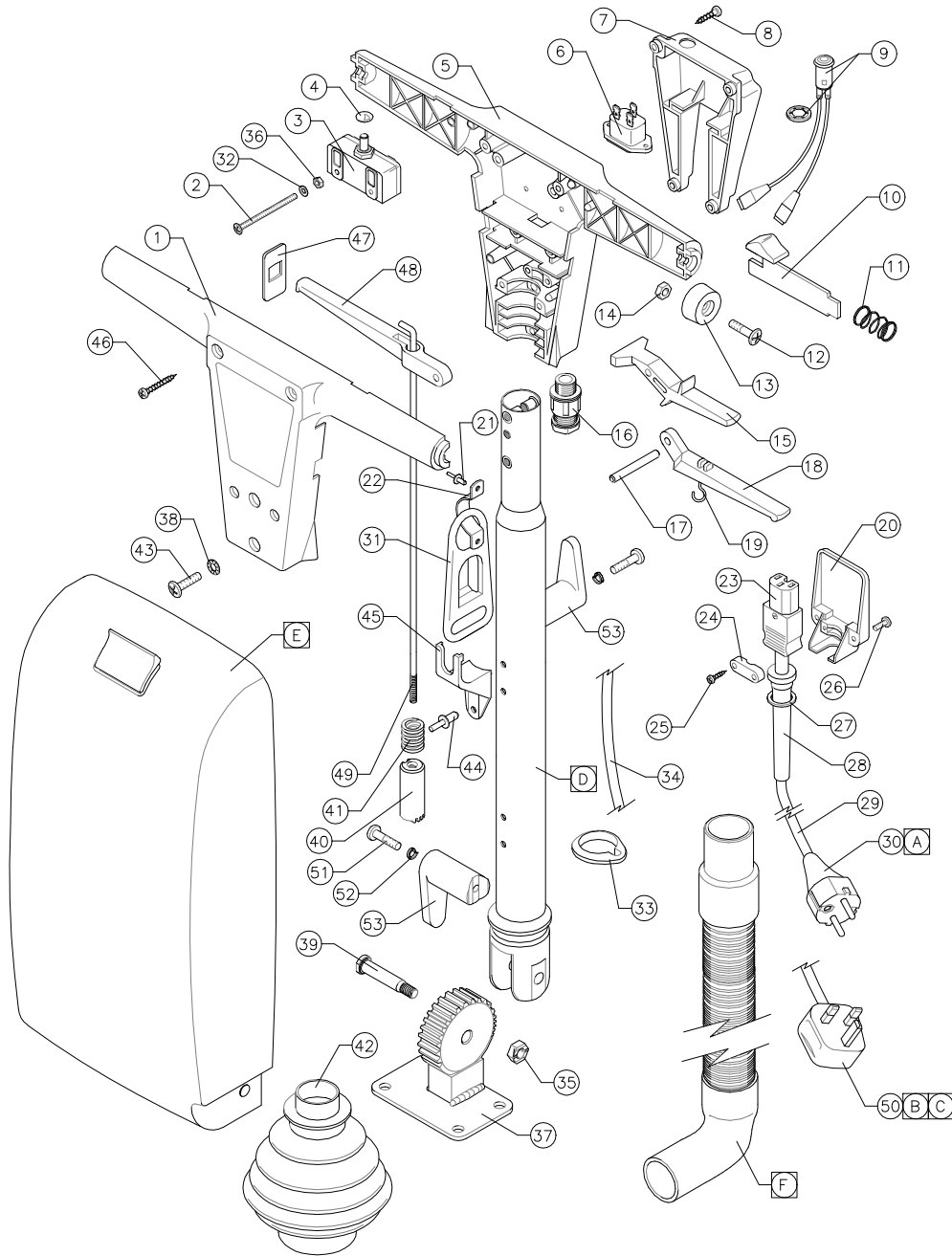


# AYH1600 – AIRFLOW HANDLE ASSY – 220/240V



| ITEM | PART No      | QTY. | DESCRIPTION                           |
|------|--------------|------|---------------------------------------|
| 1    | SBI3759/RE   | 1    | SWITCH BOX FRONT HALF – RED           |
| 2    | M4X 55PP     | 2    | M4x55 POZIPAN SCREW                   |
| 3    | SBI3738      | 2    | SINGLE POLE ON/OFF SWITCH             |
| 4    | SBI3744      | 2    | 1/4" STARLOCK CAP                     |
| 5    | SBI3758/RE   | 1    | SWITCH BOX BACK HALF – RED            |
| 6    | SBI3650      | 1    | INLET SOCKET                          |
| 7    | A1001/RE     | 1    | HANDLE SOCKET BOX – RED               |
| 8    | IN10X3-4PT   | 4    | No10 x 3/4" PLASTITE SCREW            |
| 9    | SBI5836      | 1    | NEON LIGHT 200/250V – GREEN           |
| 10   | A1621        | 2    | TRIGGER RELEASE MOULDING              |
| 11   | A1620        | 2    | TRIGGER RELEASE SPRING                |
| 12   | M6X20SP      | 2    | M6x20 POZIPAN SCREW                   |
| 13   | SBI3764/RE   | 2    | HANDLE END CAP – RED                  |
| 14   | M6N          | 2    | M6 FULL NUT                           |
| 15   | SBI3760/BL   | 2    | HANDLE SWITCH LEVER – BLACK           |
| 16   | SBI3373      | 1    | CABLE GLAND – M16                     |
| 17   | A1141        | 3    | HANDLE LEVER PIVOT PIN                |
| 18   | C1412/BL     | 1    | HANDLE FLUID LEVER – BLACK            |
| 19   | SBI3766      | 1    | HANDLE FLUID LEVER HOOK               |
| 20   | A1315/RE     | 1    | CABLE INLET MOULDING – RED            |
| 21   | SBI5772      | 2    | "POP" RIVET #3.2 x 8 (1/8" x 5/16")   |
| 22   | A1649/GH     | 1    | CABLE RESTRAINT BRACKET – GREY HAMMER |
| 23   | SBI3648      | 1    | STRAIGHT CONNECTOR – REWIREABLE       |
| 24   | SBI3765/RE   | 1    | CABLE CLAMP – RED                     |
| 25   | IN8X5-8PP    | 2    | No 8 x 5/8" POZIPAN HEAD SCREW        |
| 26   | M4X10CHS     | 2    | M4 x 10 SLOTTED SCREW                 |
| 27   | A1189/A      | 1    | FIBRE WASHER #17 x #22 x 2.5          |
| 28   | A1316/BL     | 1    | GROMMET SLEEVE – BLACK                |
| 29   | SBI3688      | 12M  | CABLE 1.5mm                           |
| 30   | SBI5233      | 1    | 10/16A 220/250V 2 PIN PLUG            |
| 31   | SBI5482      | 1    | CORD GUIDE – BLACK                    |
| 32   | M4SH         | 2    | M4 SHAKEPROOF WASHER                  |
| 33   | A1854        | 2    | CABLE RETENTION RING                  |
| 34   | C1542        | 52"  | LEAD (1.5mm) 3 CORE                   |
| 35   | M8NSB        | 1    | M8 BINX STIFF NUT                     |
| 36   | M4N          | 2    | M4 NUT                                |
| 37   | C1471        | 1    | WELDED GEAR ASSY                      |
| 38   | M6SH         | 4    | M6 SHAKEPROOF WASHER                  |
| 39   | A1896        | 1    | PIVOT BOLT                            |
| 40   | A1741        | 1    | HANDLE POSITION SELECTOR              |
| 41   | A1743        | 1    | SELECTOR SPRING                       |
| 42   | A1953        | 1    | BELLOW 27mm DIA.                      |
| 43   | M6X20SP      | 4    | M6 x 20 POZIPAN SCREW                 |
| 44   | SBI5424      | 4    | "POP" RIVET 3/16" x 1/2" LONG         |
| 45   | B1062        | 2    | BRACKET (QUICK RELEASE)               |
| 46   | IN10X1.1-2PP | 4    | No 10 x 1 1/2" POZIPANHEAD SCREW      |
| 47   | SBI3763/RE   | 2    | HANDLE LEVER ENTRY SHIELD – RED       |
| 48   | SBI3761/BL   | 1    | HANDLE ADJUSTMENT LEVER – BLACK       |
| 49   | A1852        | 1    | 800mm INSIDE BEND PULL ROD            |
| 50   | SB13051/A    | 1    | 13A PLUG (UK MARKET)                  |
| 51   | M6X25PP      | 2    | M6 x 25 POZIDRIVE PANHEAD SCREW       |
| 52   | M6WSP        | 2    | M6 SPRING WASHER                      |
| 53   | D0390        | 2    | BRUSH / CABLE HOOK                    |

| ITEM | ASSY No    | QTY. | DESCRIPTION   |
|------|------------|------|---|
| A    | AYC1012    | 1    | CABLE ASSEMBLY (CONTINENTAL PLUG)<br>(ITEMS 20,23,24,25,27,28,29, & 30)     |
| B    | AYC1026    | 1    | CABLE ASSEMBLY (13A PLUG UK MARKET)<br>(ITEMS 20,23,24,25,27,28,29, & 50)   |
| C    | AYC1074    | 1    | CABLE ASSEMBLY (ORANGE CABLE UK PLUG)<br>(ITEMS 20,23,24,25,27,28,29, & 50) |
| D    | AYT2017/GH | 1    | DOWN TUBE ASSEMBLY-GREY HAMMER  |
| E    | AYB1008    | 1    | FILTER CASE ASSEMBLY  |
| F    | AYH2038    | 1    | HOSE ASSY FOR FILTER CASE   |