

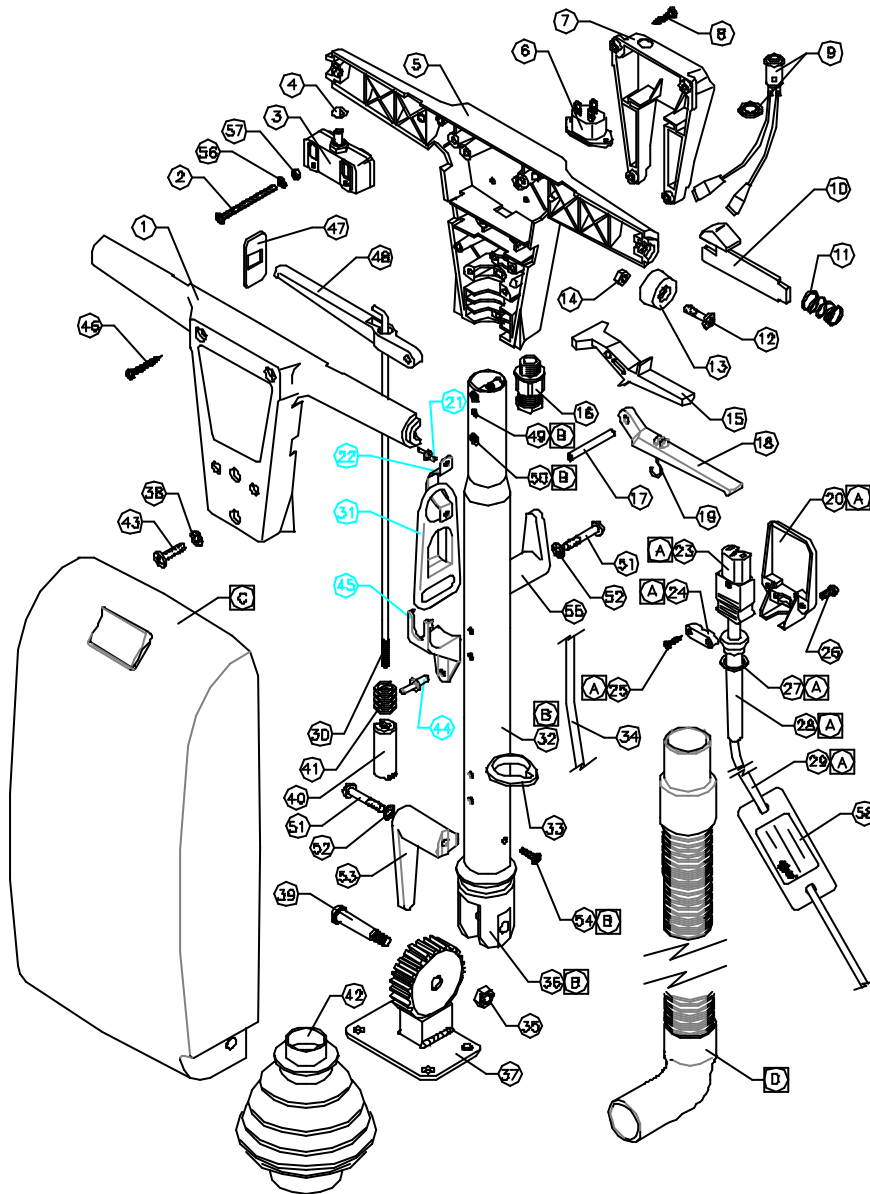
**Victor**



**DOWDING & PLUMMER Ltd.**

CALTHORPE HOUSE, STOCKFIELD ROAD,  
BIRMINGHAM B27 6AP – ENGLAND

TEL: 0121-706-5771 FAX: 0121-708-1052



ITEM	ASSY No.	QTY.	DESCRIPTION
A	5B0288	1	CABLE ASSEMBLY (ITEMS 20,23,24,25,27,28 & 29)
B	AYT2017/GH	1	DOWN TUBE ASSEMBLY-GREY HAMMER (ITEMS 32,36,48,50 & 54)
C	AYB1008	1	FILTER CASE ASSEMBLY
D	AYH2038	1	HOSE ASSY FOR FILTER CASE

ITEM	PART No.	QTY.	DESCRIPTION
1	SE3788/EL	1	SWITCH BOX FRONT HALF
2	MAX 85FP	2	N4x8 POZPAN SCREW
3	SE3738	2	SINGLE POLE ON/OFF SWITCH
4	SE3744	2	1/4" STARLOCK CAP
5	SE3788/EL	1	SWITCH BOX BACK HALF
6	SE3690	1	INLET SOCKET
7	A1001/EL	1	HANDLE SOCKET BDX
8	N10X3-4PT	4	Nø18 x 3/4" PLASTITE SCREW
9	SE6173	1	NEON LIGHT 110V & RETAINING RING
10	A1621/EL	2	TRIGGER RELEASE MOULDING
11	A1620	2	TRIGGER RELEASE SPRING
12	M6X20SP	2	N6x20 POZPAN SCREW
13	SE3784/EL	2	HANDLE END CAP
14	M6N	2	N6 FULL NUT
15	SE3780/EL	2	HANDLE SWITCH LEVER
16	SE3373	1	CABLE GLAND - M16
17	A1141	3	HANDLE LEVER PIVOT PIN
18	C1412/EL	1	HANDLE FLUID LEVER
19	SE3786	1	HANDLE FLUID LEVER HOOK
20	A1318/EL	1	CABLE INLET MOULDING
21	SE6772	2	"POP" RIVET #3.2 x 6 (1/8" x 5/16")
22	A1648/GH	1	CABLE RESTRAINT BRACKET - GREY HAMMER
23	SE3848	1	STRAIGHT CONNECTOR - REWIREABLE
24	SE3785/EL	1	CABLE CLAMP
25	N6X5-BPP	2	Nø 5 x 5/8" POZPAN HEAD SCREW
26	MAX100HS	2	N4 x 18 SLOTTED SCREW
27	A1188/A	1	FIBRE WASHER #17 x #22 x 2.5
28	A1316/EL	1	GRONMET BLEEVE - BLACK
29	SE3880	12M	LEAD (1.5mm) 3 CORE
30	A1682	1	800mm INSIDE BEND FULL ROD
31	SE6482	1	CORD GUIDE - BLACK
32	C1615	1	DOWN TUBE
33	A1684	2	CABLE RETENTION RING
34	C1542	32'	LEAD (1.5mm) 3 CORE
35	M6N58	1	N6 BINX STIFF NUT
36	B1102	1	CLEVIS
37	C1471	1	WELDED GEAR ASSY
38	M6SH	4	N6 SHAKEPROOF WASHER
39	A1806	1	PIVOT BOLT
40	A1741	1	HANDLE POSITION SELECTOR
41	A1743	1	SELECTOR SPRING
42	A1683	1	BELLOW 27mm DIA.
43	M6X20SP	4	N6 x 20 POZPAN SCREW
44	SD3424	4	"POP" RIVET 3/16" x 1/2" LONG
45	B1062	2	BRACKET (QUICK RELEASE)
46	N10X1.1-2FP	4	Nø 10 x 1 1/2" POZPANHEAD SCREW
47	SD3783/DL	2	HANDLE LEVER ENTRY SHIELD
48	SD3781/DL	1	HANDLE ADJUSTMENT LEVER
49	SD3771	1	N4 THIN SHEET NUTSERT
50	SD3772	6	N6 THIN SHEET NUTSERT
51	M6X35FP	2	N6 x 35 POZPANVE PANHEAD SCREW
52	M6N37	2	N6 SPRING WASHER
53	DP819/GH	1	CORD HOOK - GREY HAMMER
54	MAX125C	1	N4 x 12 TRILDBE SCREW
55	C1385/GH	1	BRUSH HOOK - GREY HAMMER
56	M4SH	2	N4 SHAKEPROOF WASHER
57	M4N	2	N4 NUT
58	C1482	1	110V LABEL

WHEN ORDERING PLEASE QUOTE PART No. AND PART DESCRIPTION

**AIRFLOW HANDLE ASSY. AYH1611 110V**