

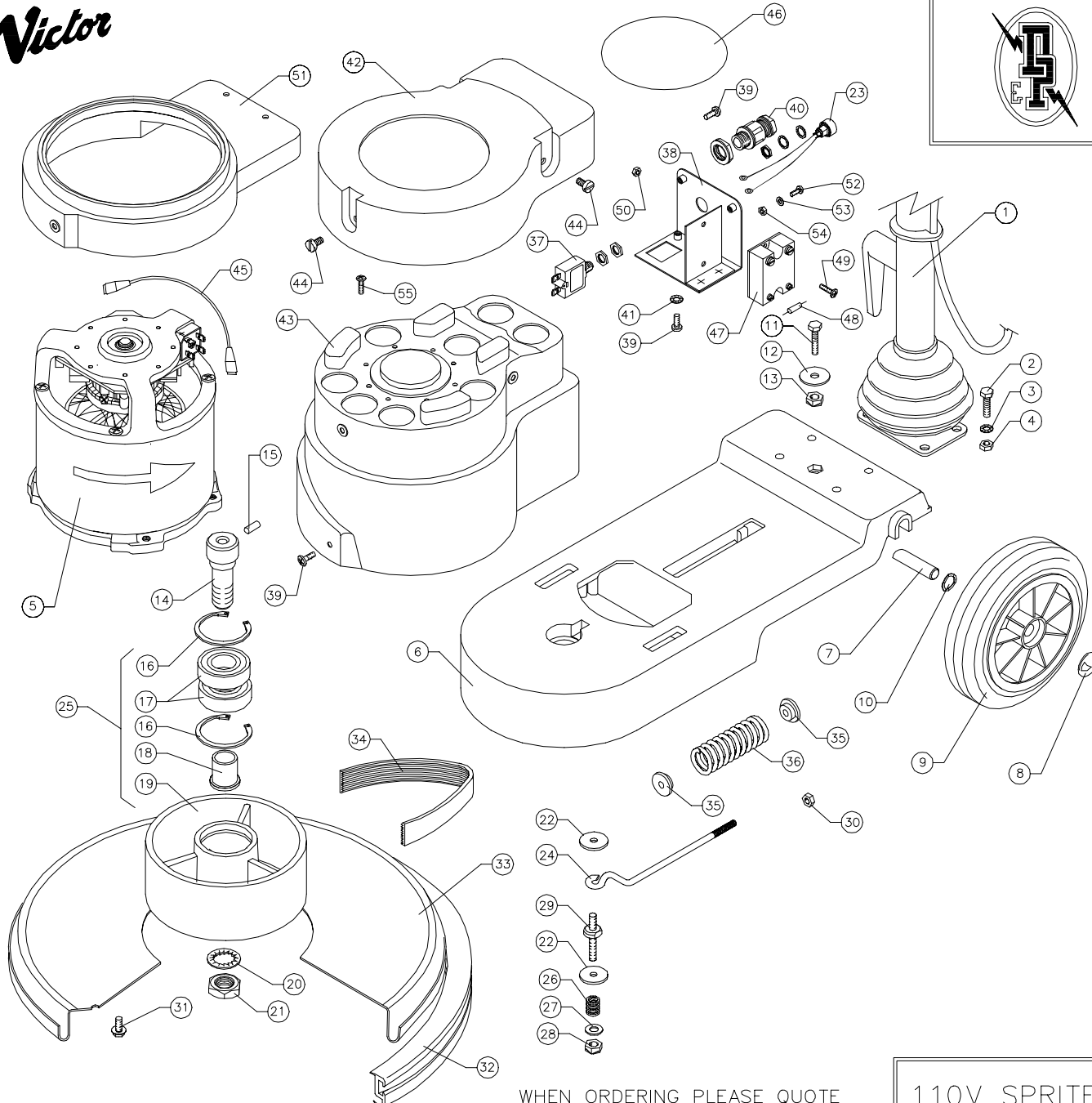
Victor



DOWDING & PLUMMER Ltd.

CALTHORPE HOUSE, STOCKFIELD ROAD,
BIRMINGHAM B27 6AP – ENGLAND

TEL: 0121-706-5771 FAX: 0121-708-1052



ITEM	PART No.	QTY.	DESCRIPTION
1	AYH1808	1	HANDLE ASSY.
2	M8X30BH	4	M8X30 HEX HEAD SCREW
3	M8WSP	4	M8 SPRING WASHER
4	M8N	4	M8 NUT
5	AYM2176	1	PM MOTOR ASSY 110v (#24 SHAFT)
6	A1123/E/GH	1	BASE CASTING – GREY HAMMER
7	A1657/PLTD	1	325mm WHEEL AXLE – PLATED
8	SBI3005/A	2	12mm STARLOCK CAP
9	C1587	2	175 mm WHEEL – REINFORCED BLACK
10	SBI3666	2	WAVEY WASHER – PLW4
11	M8X35BH	1	M8X35 HEX HEAD SCREW
12	A1378	1	30X9X2.5 WASHER
13	M8NSB	1	M8 STIFF NUT
14	A1674	1	CENTRE FEED PULLEY BOLT
15	SBI5550	1	1/4" X 5/8" SELOCK PIN
16	SBI3485	2	CIRCLIP 52mm INTERNAL
17	SBI3412	2	BEARING – LJ25mm
18	A1456	1	BEARING SLEEVE
19	A1700	1	Ø157mm OUTPUT PULLEY
20	M20WSH	1	M20 SHAKEPROOF WASHER
21	M20NH	1	M20 HALF NUT
22	A1378	6	WASHER (30x9x2.5mm)
23	C1537	1	SPEED CONTROLLER KNOB/LEAD ASSEMBLY
24	A1377	1	EYEBOLT
25	AYP1016	1	DRIVE PULLEY ASSY
26	A2132	3	MOTOR STUD SPRING
27	M8W	3	M8 PLAIN WASHER
28	M8NSB	3	M8 BINX STIFF NUT
29	A1223/PLTD	3	MOTOR DRIVE STUD
30	M6N	2	M6 NUT
31	M6X12TT	5	M6X12 TAPTITE SCREW
32	A1753/B/BL	1	54" BUFFER RING – BLACK
33	B1053/GH	1	BRUSH COVER – 450mm
34	SBI3823	1	220J16 POLYVEE DRIVE BELT
35	A1151	2	SPRING LOCATOR
36	A1159	1	BELT ADJUSTING SPRING
37	SBI5500	1	12A CIRCUIT BREAKER
38	C1631	1	CABLE ENTRY PANEL
39	M5X12BPP	5	M5X12 POZIPAN HEAD SCREW – BLACK
40	SBI5833	1	M16 CABLE GLAND
41	M5WSH	2	M5 SHAKEPROOF WASHER
42	C1633	1	MOTOR TOP COVER
43	C1632	1	MOTOR COVER
44	SBI6439	3	M6X12 NYLON PANHEAD SCREW SLOTTED
45	C1414	1	RECTIFIER – CUT OUT LINK LEAD
46	SBI5477	1	VICTOR WORLD MOTOR TOP LABEL
47	SBI6353	1	SPEED CONTROLLER PSR 25
48	SBI6361	1	RESISTOR 0.66W 56KOHM
49	M4X10SP	2	M4X10 POZIDRIVE PANHEAD SCREW
50	M4N	2	M4 NUT
51	C1634	1	MOTOR EXHAUST COVER
52	M4X10SPB	1	M4X10 SCREW POZIPAN BRASS
53	M4WB	1	M4 WASHER BRASS
54	M4NB	1	M4 NUT BRASS
55	M4X12SC	4	M4X12 TAPTITE SCREW

FROM 24.02.99 TO

M.TONKS 24/02/99 16:06 PL228-1

WHEN ORDERING PLEASE QUOTE
PART No. AND PART DESCRIPTION

110V SPRITE 450 DRIVE ASSY VAR SP-VA152PM