

**Victor**

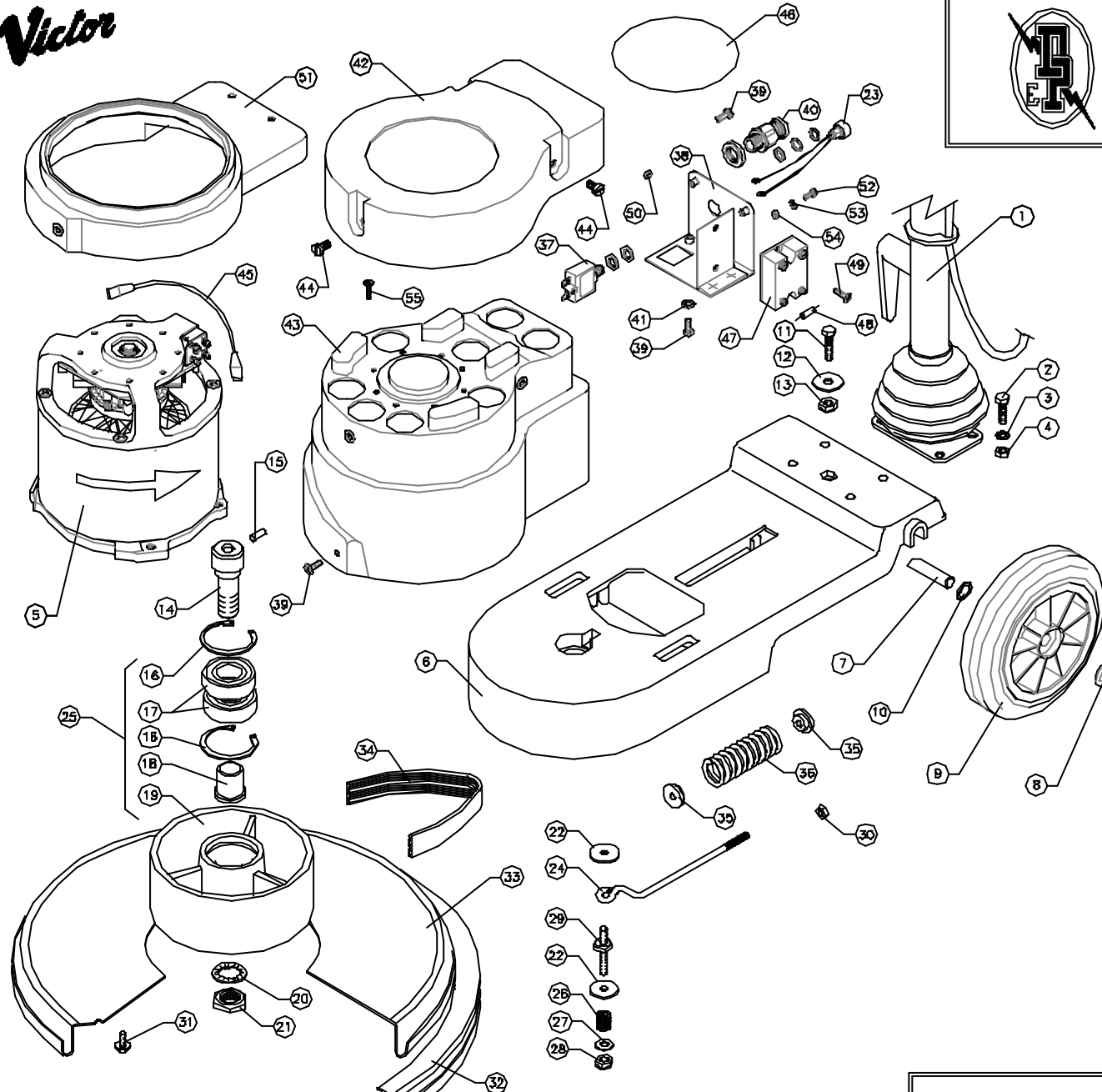


**DOWDING & PLUMMER Ltd.**

CALTHORPE HOUSE, STOCKFIELD ROAD,  
BIRMINGHAM B27 6AP - ENGLAND

TEL: 0121-706-5771 FAX: 0121-708-1052

| ITEM | PART No.   | QTY. | DESCRIPTION                         |
|------|------------|------|-------------------------------------|
| 1    | AYH1808    | 1    | HANDLE ASSY.                        |
| 2    | MBX30BH    | 4    | M8X30 HEX HEAD SCREW                |
| 3    | M8WSP      | 4    | M8 SPRING WASHER                    |
| 4    | M8N        | 4    | M8 NUT                              |
| 5    | AYM2176    | 1    | PM MOTOR ASSY 110v (#24 SHAFT)      |
| 6    | A1123/E/GH | 1    | BASE CASTING - GREY HAMMER          |
| 7    | A1657/PLTD | 1    | 325mm WHEEL AXLE - PLATED           |
| 8    | SBI3005/A  | 2    | 12mm STARLOCK CAP                   |
| 9    | SBI6100/NT | 2    | 7" WHEEL - BLACK                    |
| 10   | SBI3686    | 2    | WAVEY WASHER - PLW4                 |
| 11   | MBX35BH    | 1    | M8X35 HEX HEAD SCREW                |
| 12   | A1378      | 1    | 30X9X2.5 WASHER                     |
| 13   | M8NSB      | 1    | M8 STIFF NUT                        |
| 14   | A1674      | 1    | CENTRE FEED PULLEY BOLT             |
| 15   | SBI5550    | 1    | 1/4" X 5/8" SELOCK PIN              |
| 16   | SBI3485    | 2    | CIRCLIP 52mm INTERNAL               |
| 17   | SBI3412    | 2    | BEARING - LJ25mm                    |
| 18   | A1456      | 1    | BEARING SLEEVE                      |
| 19   | A1700      | 1    | #157mm OUTPUT PULLEY                |
| 20   | M2DWSH     | 1    | M20 SHAKEPROOF WASHER               |
| 21   | M20NH      | 1    | M20 HALF NUT                        |
| 22   | A1378      | 6    | WASHER (30X9X2.5mm)                 |
| 23   | C1537      | 1    | SPEED CONTROLLER KNOB/LEAD ASSEMBLY |
| 24   | A1377      | 1    | EYEBOLT                             |
| 25   | AYP1016    | 1    | DRIVE PULLEY ASSY                   |
| 26   | A2132      | 3    | MOTOR STUD SPRING                   |
| 27   | M8W        | 3    | M8 PLAIN WASHER                     |
| 28   | M8NSB      | 3    | M8 BINX STIFF NUT                   |
| 29   | A1223/PLTD | 3    | MOTOR DRIVE STUD                    |
| 30   | M6N        | 2    | M6 NUT                              |
| 31   | M6X12TT    | 5    | M6X12 TAPTITE SCREW                 |
| 32   | A1753/B/BL | 1    | 54" BUFFER RING - BLACK             |
| 33   | B1053/GH   | 1    | BRUSH COVER - 450mm                 |
| 34   | SBI3823    | 1    | 220V16 POLYVEE DRIVE BELT           |
| 35   | A1151      | 2    | SPRING LOCATOR                      |
| 36   | A1159      | 1    | BELT ADJUSTING SPRING               |
| 37   | SBI5500    | 1    | 12A CIRCUIT BREAKER                 |
| 38   | C1831      | 1    | CABLE ENTRY PANEL                   |
| 39   | M5X12BPP   | 5    | M5X12 POZIFAN HEAD SCREW - BLACK    |
| 40   | SBI5833    | 1    | M16 CABLE GLAND                     |
| 41   | M5WSH      | 2    | M5 SHAKEPROOF WASHER                |
| 42   | C1833      | 1    | MOTOR TOP COVER                     |
| 43   | C1832      | 1    | MOTOR COVER                         |
| 44   | SBI6439    | 3    | M6X12 NYLON PANHEAD SCREW SLOTTED   |
| 45   | C14-14     | 1    | RECTIFIER - CUT OUT LINK LEAD       |
| 46   | SBI5477    | 1    | VICTOR WORLD MOTOR TOP LABEL        |
| 47   | SBI6353    | 1    | SPEED CONTROLLER PSR 25             |
| 48   | SBI6361    | 1    | RESISTOR 0.66W 56KOHM               |
| 49   | M4X10SF    | 2    | M4X10 POZIDRIVE PANHEAD SCREW       |
| 50   | M4N        | 2    | M4 NUT                              |
| 51   | C1634      | 1    | MOTOR EXHAUST COVER                 |
| 52   | M4X10SPE   | 1    | M4X10 SCREW POZIFAN BRASS           |
| 53   | M4WB       | 1    | M4 WASHER BRASS                     |
| 54   | M4NB       | 1    | M4 NUT BRASS                        |
| 55   | M4X12SC    | 4    | M4X12 TAPTITE SCREW                 |



WHEN ORDERING PLEASE QUOTE  
PART No. AND PART DESCRIPTION

110V SPRITE 450 DRIVE ASSY VAR SP-VA152PM

FROM 24.02.99 TO

A.BARTON 16.02.05 09.00 PL228-2