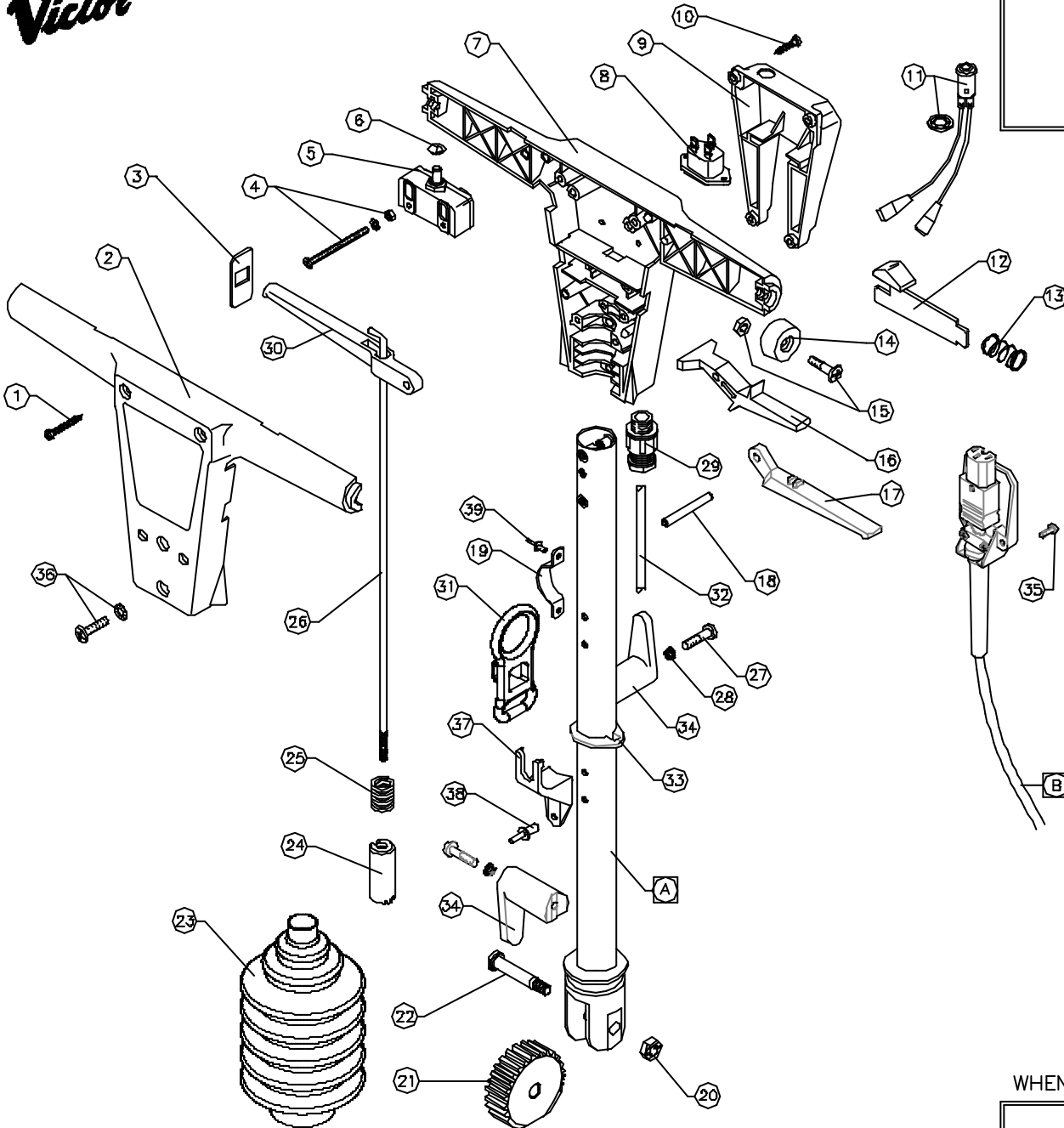


Victor



DOWDING & PLUMMER Ltd.

CALTHORPE HOUSE, STOCKFIELD ROAD,
BIRMINGHAM B27 6AP - ENGLAND
TEL: 0121-706-5771 FAX: 0121-708-1052



ITEM	PART No.	QTY.	DESCRIPTION
1	IN1DX1.1-2	4	SCREW S.T. No.10 x 1 1/2"
2	SBI3759/RE	1	SWITCH BOX MOULDING - FRONT - RED
3	SBI3763/RE	2	LEVER ENTRY SHIELD - RED
4	-	2	M4x55mm SCREW, NUT, PLAIN & S.P. WASHER
5	SBI3738B	2	SINGLE POLE ON/OFF SWITCH
6	SBI3744	2	SPRING CAP 1/4"
7	SBI3758/RE	1	SWITCH BOX MOULDING - REAR - RED
8	SBI3650	1	INLET SOCKET
9	A1001/RE	1	SOCKET BOX MOULDING - RED
10	IN1DX3-4PT	4	SCREW S.T. No.10 x 3/4"
11	SBI5836	1	NEON LIGHT & RETAINING RING
12	A1621	2	TRIGGER RELEASE SLIDE-BLACK
13	A1620	2	SPRING ø17x25
14	SBI3764/RE	2	HANDLE END CAP-RED
15	-	2	SCREW M6x20 P.H. & NUT
16	SBI3760	2	SWITCH LEVER - WHITE
17	C1412	1	FLUID LEVER - WHITE
18	A1141	3	LEVER PIVOT PIN
19	A1650/PLTD	2	CORD GUIDE CLAMP
20	M8NSB	1	NUT - M8 BINX
21	A1859	1	HANDLE SELECTOR GEAR
22	A1896	1	PIVOT BOLT
23	D0429	1	BELLOWS
24	A1741	1	HANDLE POSITION SELECTOR
25	A1743	1	SELECTOR SPRING
26	A1765	1	PULL ROD
27	M6X25PP	2	M6 X 25 POZIDRIVE PANHEAD SCREW
28	M6WSP	2	M6 SPRING WASHER
29	SBI3373	1	CABLE GLAND - M16
30	SBI3761	1	HANDLE ADJUSTMENT LEVER - WHITE
31	D0550	1	CABLE RESTRAINT
32	SBI5439	1	DOWN LEAD
33	A1854	1	CABLE RETAINING RING - BLACK
34	D0390	2	BRUSH / CABLE HOOK
35	M4X10CHS	2	SCREW - M4 x 10 C.H.
36	-	4	SCREW - M6 x 20 & S.P. WASHER
37	B1062	2	QUICK RELEASE BRACKET
38	SBI5424	4	'POP' RIVET 3/16" X 1/2" LONG
39	SBI5772	2	'POP' RIVET 3.2 DIA X 8 (1/8" X 5/16")

ITEM	ASSY No.	QTY.	DESCRIPTION
A	AYT2004	1	DOWN TUBE ASSEMBLY
B	AYC1026	1	CABLE ASSY - 40ft 240V BLACK UK PLUG
	AYC1012	1	CABLE ASSY - 40ft 220V BLACK EURO PLUG
	AYC1074	1	CABLE ASSY - 40ft 240V ORANGE UK PLUG

WHEN ORDERING PLEASE QUOTE PART No. AND PART DESCRIPTION

AYH1238 - WOLF 400 HANDLE ASSY 220/240V