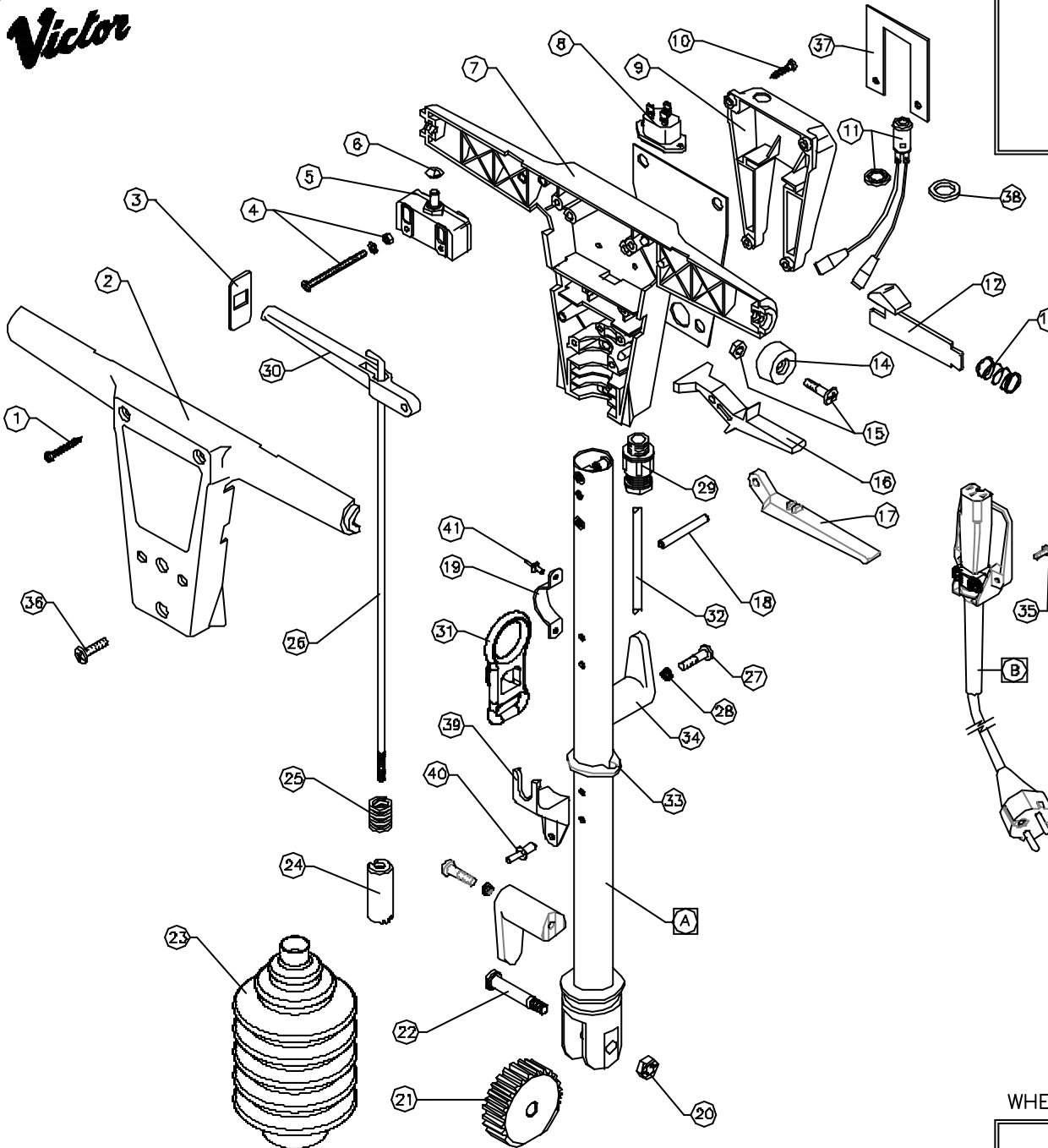


Victor



DOWDING & PLUMMER Ltd.

CALTHORPE HOUSE, STOCKFIELD ROAD,
BIRMINGHAM B27 6AP - ENGLAND
TEL: 0121-706-5771 FAX: 0121-708-1052



| ITEM | PART No. | QTY. | DESCRIPTION |
|------|------------|------|---|
| 1 | IN1DX1.1-2 | 4 | SCREW S.T. No.10 x 1 1/2" |
| 2 | SB13759/BL | 1 | SWITCH BOX MOULDING - FRONT |
| 3 | SB13763/BL | 2 | LEVER ENTRY SHIELD |
| 4 | - | 2 | M4x55mm SCREW, NUT ,PLAIN & S.P. WASHER |
| 5 | SB13738 | 2 | SINGLE POLE ON/OFF SWITCH |
| 6 | SB13744 | 2 | SPRING CAP 1/4" |
| 7 | SB13758/BL | 1 | SWITCH BOX MOULDING - REAR |
| 8 | SB13650 | 1 | INLET SOCKET |
| 9 | A1001/BL | 1 | SOCKET BOX MOULDING |
| 10 | IN1DX3-4PT | 4 | SCREW S.T. No.10 x 3/4" |
| 11 | SB15836 | 1 | NEON LIGHT & RETAINING RING |
| 12 | A1621/BL | 2 | TRIGGER RELEASE SLIDE |
| 13 | A1620 | 2 | SPRING ø17x25 |
| 14 | SB13764/BL | 2 | HANDLE END CAP |
| 15 | - | 2 | SCREW M6x20 P.H. & NUT |
| 16 | SB13760/BL | 2 | SWITCH LEVER |
| 17 | C1412/BL | 1 | FLUID LEVER |
| 18 | A1141 | 3 | LEVER PIVOT PIN |
| 19 | A1650/PLTD | 1 | CORD GUIDE CLAMP |
| 20 | M8NSB | 1 | NUT - M8 BINX |
| 21 | A1859 | 1 | HANDLE SELECTOR GEAR |
| 22 | A1896 | 1 | PIVOT BOLT |
| 23 | D0429 | 1 | BELLOWS |
| 24 | A1741 | 1 | HANDLE POSITION SELECTOR |
| 25 | A1743 | 1 | SELECTOR SPRING |
| 26 | A1765 | 1 | PULL ROD |
| 27 | M6X25PP | 2 | M6 X 25 POZIDRIVE PANHEAD SCREW |
| 28 | M6WSP | 2 | M6 SPRING WASHER |
| 29 | SB13373 | 1 | CABLE GLAND - M16 |
| 30 | SB13761/BL | 1 | HANDLE ADJUSTMENT LEVER |
| 31 | D0550 | 1 | CABLE RESTRAINT |
| 32 | SB15439 | 1 | DOWN LEAD |
| 33 | A1854 | 1 | CABLE RETAINING RING - BLACK |
| 34 | D0390 | 2 | BRUSH / CABLE HOOK |
| 35 | M4X10CHS | 2 | SCREW M4 x 10 C.H. |
| 36 | D0812 | 4 | SCREW M6 x 20 POZIPAN |
| 37 | A1493 | 1 | VDE GASKET KIT |
| 38 | SB15301 | 1 | RUBBER WASHER |
| 39 | B1062 | 2 | QUICK RELEASE BRACKET |
| 40 | SB15424 | 4 | 'POP' RIVET 3/16" X 1/2" LONG |
| 41 | SB15772 | 2 | 'POP' RIVET 3.2 DIA X 8 (1/8" X 5/16") |

| ITEM | ASSY No. | QTY. | DESCRIPTION |
|------|----------|------|---------------------------------------|
| A | AYT2004 | 1 | DOWN TUBE ASSEMBLY |
| B | AYC1012 | 1 | CABLE ASSY - 15M 220V BLACK EURO PLUG |

WHEN ORDERING PLEASE QUOTE PART No. AND PART DESCRIPTION

AYH1237 - WOLF 400 VDE HANDLE ASSY 220V