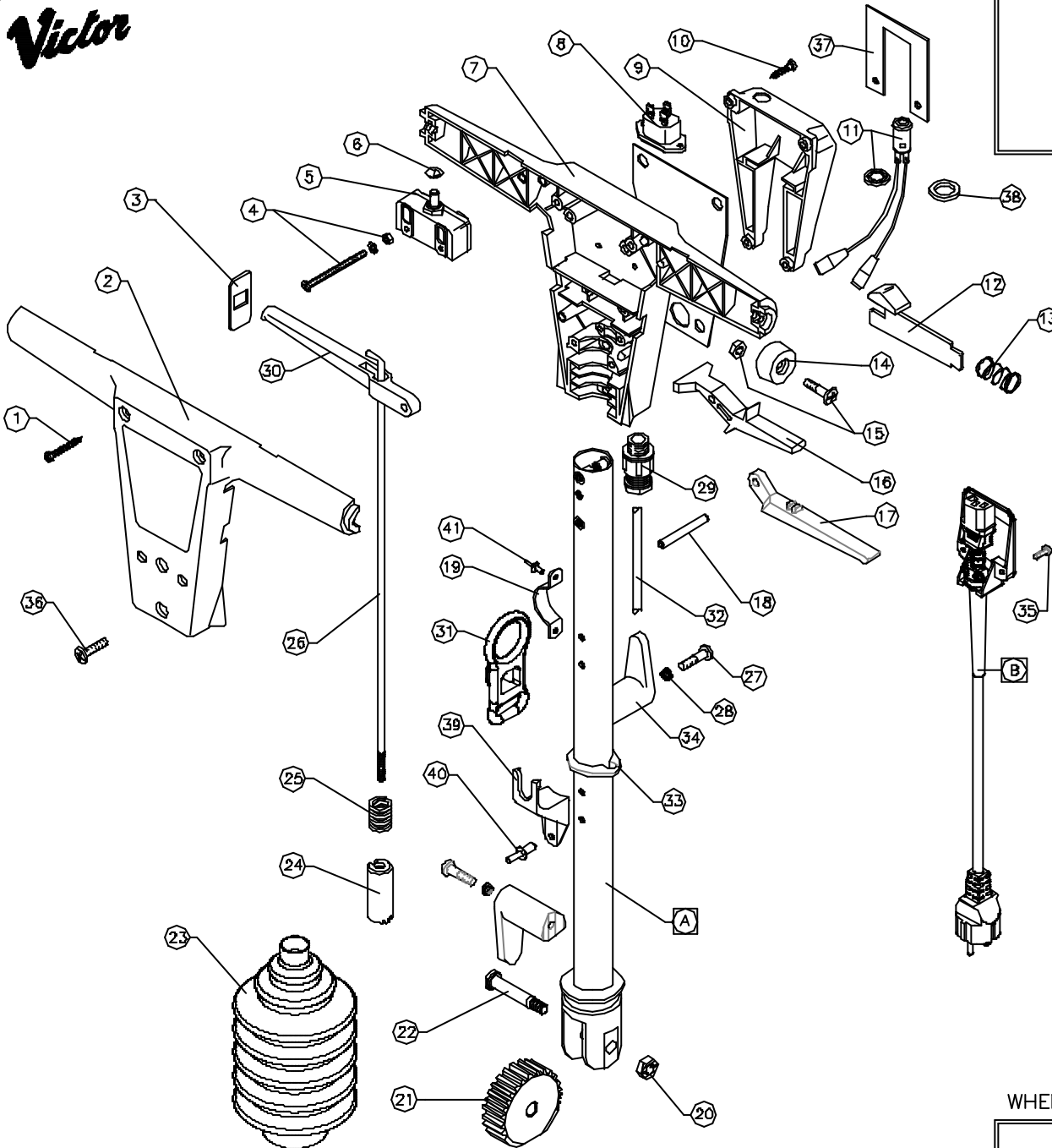


Victor



DOWDING & PLUMMER Ltd.

CALTHORPE HOUSE, STOCKFIELD ROAD,
BIRMINGHAM B27 6AP - ENGLAND
TEL: 0121-706-5771 FAX: 0121-708-1052



ITEM	PART No.	QTY.	DESCRIPTION
1	IN1DX1.1-2	4	SCREW S.T. No.10 x 1 1/2"
2	SB13759/BL	1	SWITCH BOX MOULDING - FRONT
3	SB13763/BL	2	LEVER ENTRY SHIELD
4	-	2	M4x55mm SCREW, NUT ,PLAIN & S.P. WASHER
5	SB13738	2	SINGLE POLE ON/OFF SWITCH
6	SB13744	2	SPRING CAP 1/4"
7	SB13758/BL	1	SWITCH BOX MOULDING - REAR
8	SB13650	1	INLET SOCKET
9	A1001/BL	1	SOCKET BOX MOULDING
10	IN1DX3-4PT	4	SCREW S.T. No.10 x 3/4"
11	SB15836	1	NEON LIGHT & RETAINING RING
12	A1621/BL	2	TRIGGER RELEASE SLIDE
13	A1620	2	SPRING ø17x25
14	SB13764/BL	2	HANDLE END CAP
15	-	2	SCREW M6x20 P.H. & NUT
16	SB13760/BL	2	SWITCH LEVER
17	C1412/BL	1	FLUID LEVER
18	A1141	3	LEVER PIVOT PIN
19	A1650/PLTD	1	CORD GUIDE CLAMP
20	M8NSB	1	NUT - M8 BINX
21	A1859	1	HANDLE SELECTOR GEAR
22	A1896	1	PIVOT BOLT
23	D0429	1	BELLOWS
24	A1741	1	HANDLE POSITION SELECTOR
25	A1743	1	SELECTOR SPRING
26	A1765	1	PULL ROD
27	M6X25PP	2	M6 X 25 POZIDRIVE PANHEAD SCREW
28	M6WSP	2	M6 SPRING WASHER
29	SB13373	1	CABLE GLAND - M16
30	SB13761/BL	1	HANDLE ADJUSTMENT LEVER
31	D0550	1	CABLE RESTRAINT
32	SB15439	1	DOWN LEAD
33	A1854	1	CABLE RETAINING RING - BLACK
34	D0390	2	BRUSH / CABLE HOOK
35	M4X10CHS	2	SCREW M4 x 10 C.H.
36	D0812	4	SCREW M6 x 20 POZIPAN
37	A1493	1	VDE GASKET KIT
38	SB15301	1	RUBBER WASHER
39	B1062	2	QUICK RELEASE BRACKET
40	SB15424	4	'POP' RIVET 3/16" X 1/2" LONG
41	SB15772	2	'POP' RIVET 3.2 DIA X 8 (1/8" X 5/16")

ITEM	ASSY No.	QTY.	DESCRIPTION
A	AYT2004	1	DOWN TUBE ASSEMBLY
B	D1001	1	HIGH VISIBILITY EURO CABLE PACK ASSY

WHEN ORDERING PLEASE QUOTE PART No. AND PART DESCRIPTION

AYH1237 - WOLF 400 VDE HANDLE ASSY 220V