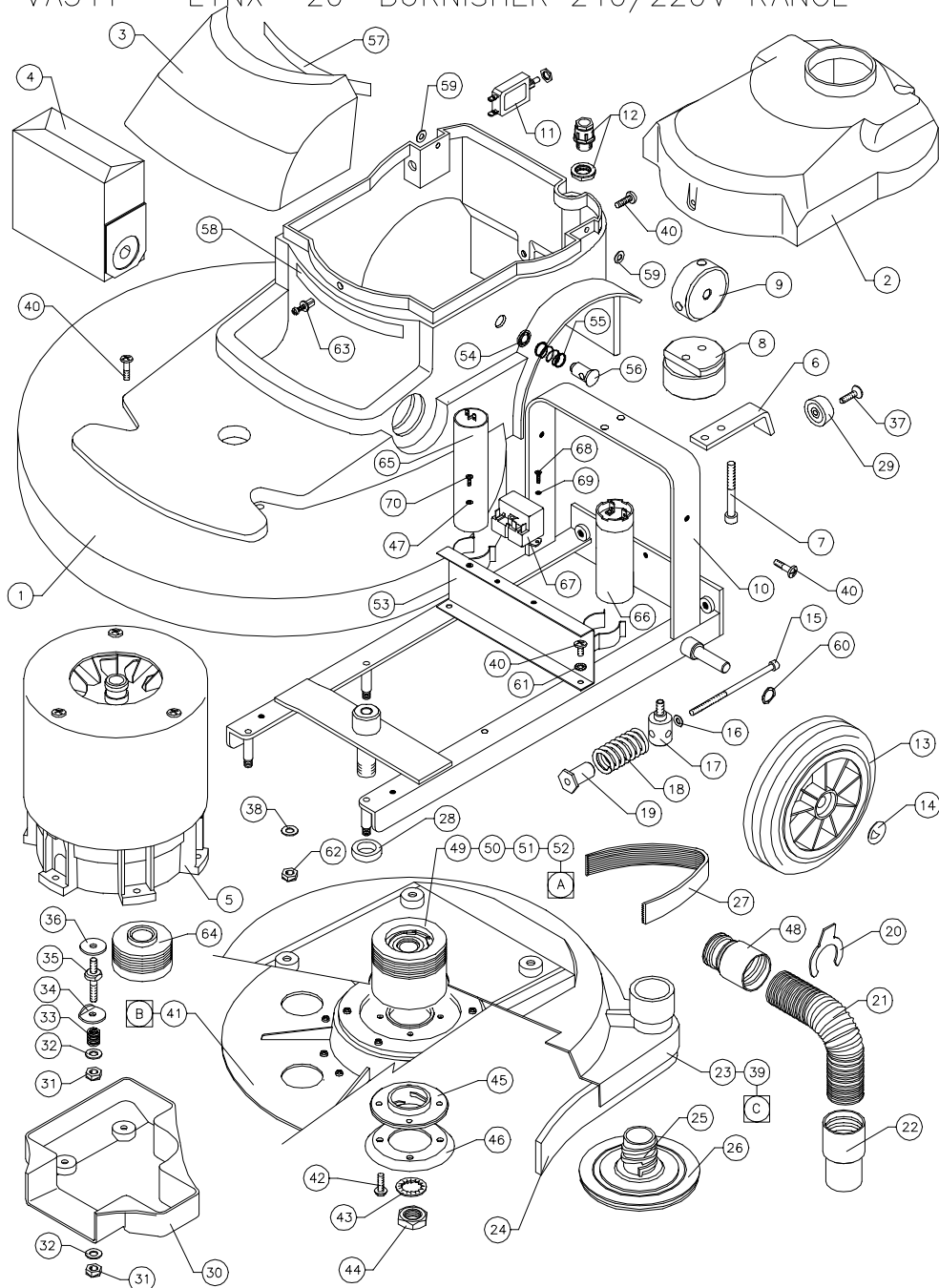


VA541 - LYNX 20" BURNISHER 240/220V RANGE



VA541 - LYNX 20" BURNISHER 240/220V RANGE

ITEM	PART No.	QTY.	DESCRIPTION	ITEM	PART No.	QTY.	DESCRIPTION
1	C1786	1	BODY MouldING	59	M6W	2	M6 x 14 O/D PLAIN WASHER
2	C1726	1	TOP MOTOR COVER	60	SBI3666	2	WAVEY WASHER - PLW4
3	C1397	1	FRONT DUST BAG COVER	61	M6WSH	2	M6 SHAKEPROOF WASHER
4	C1456	1	DUST BAG	62	M8NSB	4	M8 NUT - BINX
5	SEE TABLE	1	MOTOR ASSY.	63	SBI6039	1	SCRIVET
6	C1721	1	BACK BRACKET	64	C1724	1	MOTOR PULLEY Ø65 J8
7	M8X70SC	2	SOCKET SCREW M8x70mm	65	SBI6056	1	30MFD RUN CAPACITOR
8	C1401	1	MOUNTING BLOCK	66	SBI5228	1	125MFD START CAPACITOR
9	C1399	1	SELECTOR PIVOT	67	SBI3659	1	2CR4-234 START RELAY
10	C1787	1	WELDED FRAME	68	M3X16SP	2	M3X16 POZIPAN HEAD SCREW
11	SBI5500	1	CIRCUIT BREAKER 12AMP.	69	M3WSP	2	M3 SPRING WASHER
12	SBI5823	1	CABLE GLAND M16	70	M4X10SPB	1	M4X10 POZIPAN HEAD SCREW BRASS
13	SBI6101/NT	2	WHEEL Ø20 REINFORCED-BLACK				
14	SBI3005/A	2	SPRING CAP 1/2"				
15	M6X125SC	1	SOCKET CAP SCREW M6 x 125mm				
16	I1-4X3-4W	1	1/4" I/D x 3/4" O/D WASHER				
17	A2064	1	MOTOR PILLAR STD				
18	A1850	1	SPRING Ø30 x 50				
19	A1865	1	SPRING RETAINER				
20	C1391	1	HOSE CLIP				
21	SBI6136/F	180mm	STRETCH HOSE				
22	SBI5668	1	HOSE END 32mm - BLACK				
23	C1792	1	INNER SKIRT				
24	C1789	1910mm	DIFFUSER FLOOR SEAL				
25	B1163	1	PAD RETAINER				
26	A1842	1	POLYETHYLENE WASHER				
27	SBI5816	1	DRIVE BELT 350 J8				
28	A2062	1	PULLEY SPACER				
29	SBI3764/BL	1	HANDLE END CAP - BLACK				
30	C1398	1	DRIVE BELT GUARD				
31	M8NSB	6	M8 NUT - BINX				
32	M8W	7	M8 PLAIN WASHER				
33	A2132	3	SPRING Ø14 x 15				
34	A2069	3	FOLDED WASHER				
35	A2068	3	MOTOR STUD				
36	A1378	4	PLAIN WASHER Ø30xØ9x2.5				
37	M6X20CSK	1	M6 x 20 SCREW - POZIDRIVE C'SUNK HEAD				
38	M8W	4	M8 PLAIN WASHER				
39	C1793	1	OUTER SKIRT				
40	M6X10SP	7	M6 x 10 SCREW - POZIPAN				
41	B1123A	1	20" DRIVE PLATE MouldING				
42	M6X20PPTT	4	M6 x 20 SCREW - TAPTITE				
43	M20WSP	1	M20 SPRING WASHER				
44	M20NH	1	M20 HALF NUT				
45	B1164	1	RETAINER NUT				
46	A1882	1	REINFORCING RING				
47	M4WB	1	M4 PLAIN WASHER BRASS				
48	B1367/BL	1	SWIVEL END INNER - BLACK				
49	C1723	1	Ø80 x 75mm PULLEY JB				
50	SBI3412	2	BEARING - LJ25mm				
51	SBI3485	2	CIRCLIP 52mm INTERNAL				
52	A1456	1	BEARING SLEEVE				
53	C1703	1	CAPACITOR MOUNTING BRACKET				
54	A1944	1	FIXING WASHER - Ø10mm				
55	A1620	1	SPRING Ø17 x 25				
56	A1945	1	ANCHOR PIN (15mm) PLASTIC				
57	SBI6328	200mm	'VELCRO' HOOK STRIP SELF ADHESIVE - 20mm WIDE				
58	SBI6327	200mm	'VELCRO' LOOP STRIP SELF ADHESIVE - 20mm WIDE				

ASSY.	PART No.	QTY.	DESCRIPTION
A	AYP1036	1	Ø80mm x 75mm DRIVE PULLEY ASSY.
B	AYD1008	1	20" DRIVE PLATE ASSY.
C	C1788	1	SKIRT ASSEMBLY

MODEL	DESCRIPTION	HANDLE ASSY	MOTOR ASSY
VA541	240V/50HZ/1150W	AYH1293	AYM2185
VA541021A	220V/50HZ/1150W	AYH1293	AYM2185
VA541022A	220V/50HZ/1150W VDE	AYH1294	AYM2185
VA541FULTON	220V/50HZ/1150W	AYH1293	AYM2185

WHEN ORDERING PLEASE QUOTE PART No. AND PART DESCRIPTION

M.TONKS 05/07/99 12:56 PL249-2

FROM 05.07.99 TO

M.TONKS 05/07/99 12:56 PL249-2