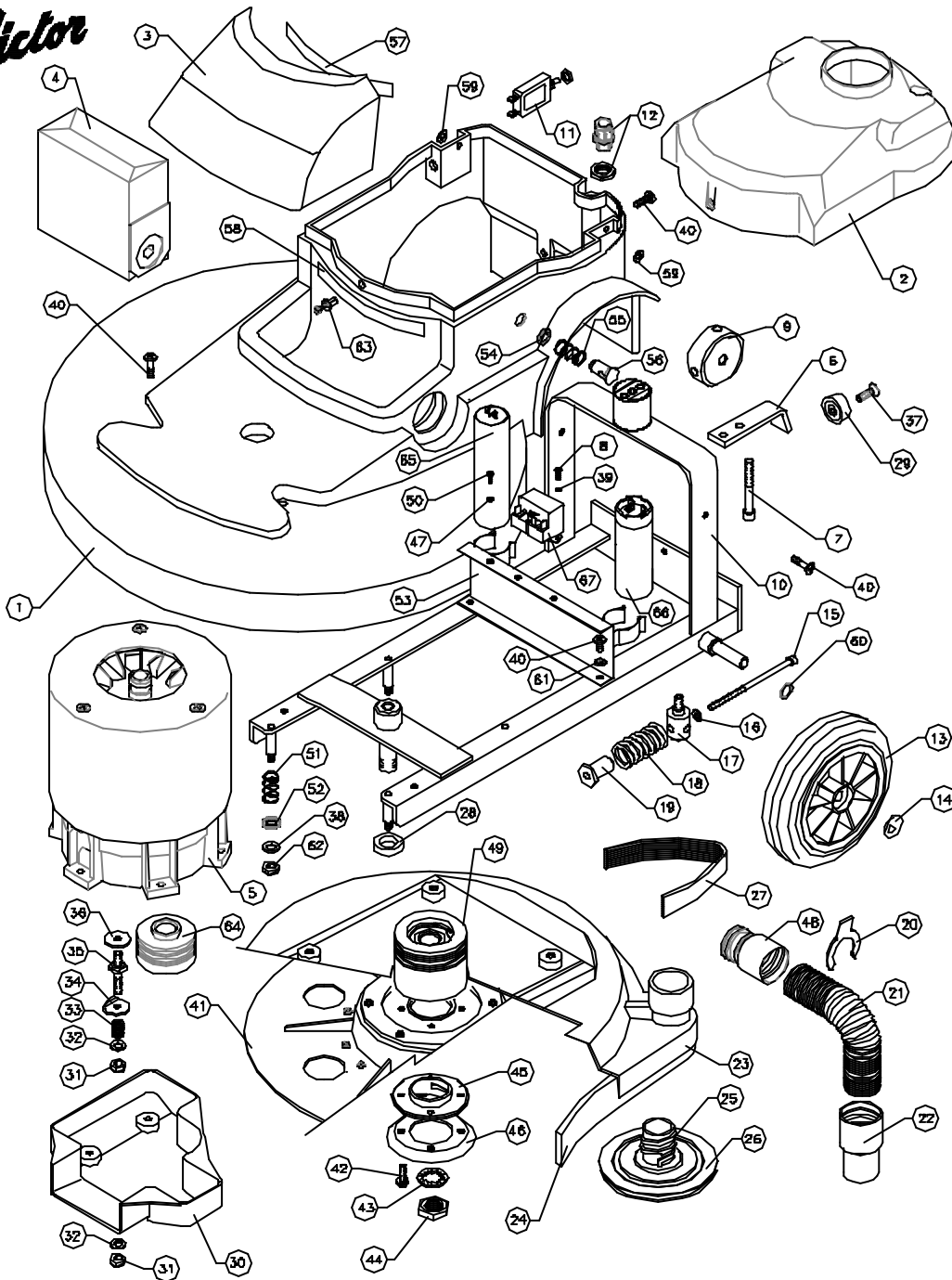


Victor



DOWDING & PLUMMER Ltd.

CALTHORPE HOUSE, STOCKFIELD ROAD,
BIRMINGHAM B27 6AP - ENGLAND
TEL: 0121-706-5771 FAX: 0121-708-1052

| ITEM | PART No. | QTY. | DESCRIPTION | ITEM | PART No. | QTY. | DESCRIPTION |
|------|---------------|------|--|------|----------|------|--------------------------|
| 1 | C1788 | 1 | BODY Moulding | 58 | M6W | 2 | M6 x 14 Q/D PLAIN WASHER |
| 2 | C1728 | 1 | TOP MOTOR COVER | 60 | SEB666 | 2 | WAVEY WASHER - PLW4 |
| 3 | C1397 | 1 | FRONT DUST BAG COVER | 61 | M6W5H | 2 | M6 SHAKEPROOF WASHER |
| 4 | C1456 | 1 | DUST BAG | 62 | M6NSB | 4 | M6 NUT - BINX |
| 5 | SEE TABLE | | MOTOR ASSY. | 63 | SEB639 | 1 | SCRIVET |
| 6 | C1721 | 1 | BACK BRACKET | 64 | C1724 | 1 | MOTOR PULLEY #65 JB |
| 7 | M6X70SC | 2 | SOCKET SCREW M6X70mm | 65 | SEB6058 | 1 | 30MFD RUN CAPACITOR |
| 8 | M6X189P | 2 | M6X18 POSIPAN HEAD SCREW | 66 | SEB6228 | 1 | 125MFD START CAPACITOR |
| 9 | C1399 | 1 | SELECTOR PIVOT | 67 | SEB698 | 1 | 2CR4-258 START RELAY |
| 10 | C1787/A | 1 | WELDED FRAME | | | | |
| 11 | SEB5500 | 1 | CIRCUIT BREAKER 12AMP. | | | | |
| 12 | SEB633 | 1 | CABLE GLAND M10 | | | | |
| 13 | SEB101/NT | 2 | WHEEL #200 REINFORCED-BLACK | | | | |
| 14 | SEB3006/A | 2 | SPRING CAP 1/2" | | | | |
| 15 | M6X125SC | 1 | SOCKET CAP SCREW M6 x 125mm | | | | |
| 16 | 1/4" X 3/4" W | 1 | 1/4" I/O x 3/4" Q/D WASHER | | | | |
| 17 | A2084 | 1 | MOTOR FILLER STUD | | | | |
| 18 | A1850 | 1 | SPRING #30 x 50 | | | | |
| 19 | A1885 | 1 | SPRING RETAINER | | | | |
| 20 | C1391 | 1 | HOSE CLIP | | | | |
| 21 | SEB139/F | 1 | STRETCH HOSE | | | | |
| 22 | SEB698 | 1 | HOSE END 32mm - BLACK | | | | |
| 23 | C1788 | 1 | SKIRT ASSEMBLY | | | | |
| 24 | C4304/E | 1 | DIFFUSER FLOOR SEAL | | | | |
| 25 | B1163 | 1 | PAD RETAINER | | | | |
| 26 | A1842 | 1 | POLYETHYLENE WASHER | | | | |
| 27 | SEB6816 | 1 | DRIVE BELT 350 JB | | | | |
| 28 | A2082 | 1 | PULLEY SPACER | | | | |
| 29 | SEB5704/BL | 1 | HANDLE END CAP - BLACK | | | | |
| 30 | C1398 | 1 | DRIVE BELT GUARD | | | | |
| 31 | M6NSB | 6 | M6 NUT - BINX | | | | |
| 32 | M6W | 7 | M6 PLAIN WASHER | | | | |
| 33 | A2132 | 3 | SPRING #14 x 1.5 | | | | |
| 34 | A2089 | 3 | FOLDED WASHER | | | | |
| 35 | A2088 | 3 | MOTOR STUD | | | | |
| 36 | A1378 | 4 | PLAIN WASHER #30x#8x2.5 | | | | |
| 37 | M6X20CSK | 1 | M6 x 20 SCREW - POSIDRIVE C'SLUNK HEAD | | | | |
| 38 | M6W | 4 | M6 PLAIN WASHER | | | | |
| 39 | N3WSP | 2 | N3 SPRING WASHER | | | | |
| 40 | M6X10SP | 7 | M6 x 10 SCREW - POSIPAN | | | | |
| 41 | AYD1008 | 1 | 20" DRIVE PLATE ASSY. | | | | |
| 42 | M6X20PITT | 4 | M6 x 20 SCREW - TAPITTE | | | | |
| 43 | M20WSP | 1 | M20 SPRING WASHER | | | | |
| 44 | M20NH | 1 | M20 HALF NUT | | | | |
| 45 | B1184 | 1 | RETAINER NUT | | | | |
| 46 | A1882 | 1 | REINFORCING RING | | | | |
| 47 | M4WB | 1 | M4 PLAIN WASHER BRASS | | | | |
| 48 | B1307/BL | 1 | SHIVEL END INNER - BLACK | | | | |
| 49 | AYP1038 | 1 | #80mm x 78mm DRIVE PULLEY ASSY. | | | | |
| 50 | M4X10SPB | 1 | M4X10 POSIPAN HEAD SCREW BRASS | | | | |
| 51 | A162D | 4 | SPRING #17 x 25 | | | | |
| 52 | M12W | 4 | M12 PLAIN WASHER | | | | |
| 53 | C1703 | 1 | CAPACITOR MOUNTING BRACKET | | | | |
| 54 | A1944 | 1 | FIXING WASHER - #10mm | | | | |
| 55 | A1820 | 1 | SPRING #17 x 25 | | | | |
| 56 | A1945 | 1 | ANCHOR PIN (15mm) PLASTIC | | | | |
| 57 | SEB6328 | 1 | HOOK STRIP | | | | |
| 58 | SEB6327 | 1 | LOOP STRIP | | | | |

| MODEL | DESCRIPTION | HANDLE ASSY | MOTOR ASSY |
|-------------|---------------------|-------------|------------|
| VA541 | 240V/50HZ/1150W | AYH1283 | AYN2186 |
| VA341021A | 220V/50HZ/1150W | AYH1283 | AYN2186 |
| VA541022A | 230V/50HZ/1150W VDE | AYH1284 | AYN2186 |
| VA841FALTON | 220V/50HZ/1150W | AYH1283 | AYN2186 |

WHEN ORDERING PLEASE QUOTE PART No. AND PART DESCRIPTION

VA541 - LYNX 20" BURNISHER 220/240V RANGE