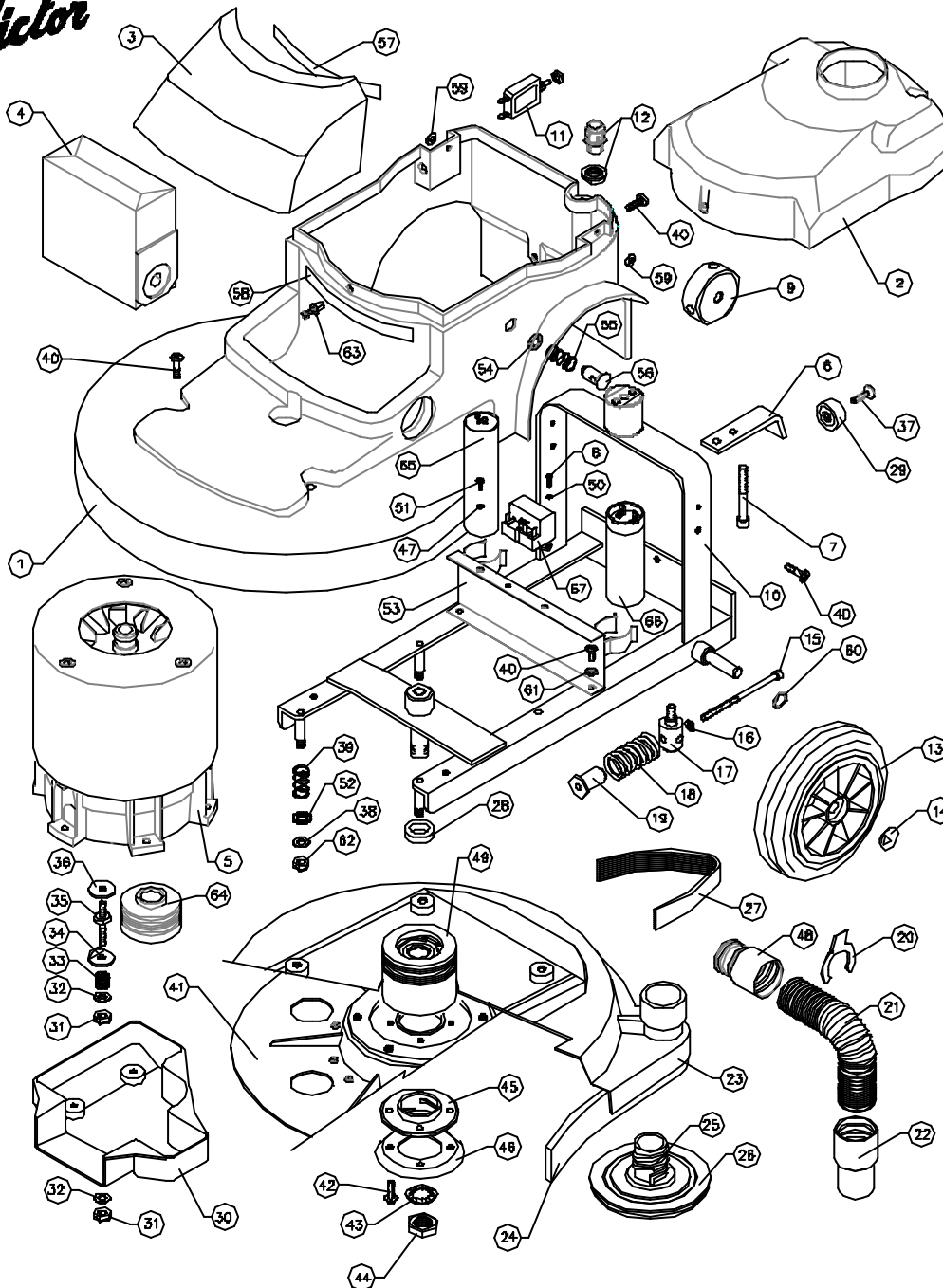


**Victor**



**DOWDING & PLUMMER Ltd.**

CALTHORPE HOUSE, STOCKFIELD ROAD,  
BIRMINGHAM B27 6AP - ENGLAND  
TEL: 0121-706-5771 FAX: 0121-708-1052

ITEM	PART No.	QTY.	DESCRIPTION	ITEM	PART No.	QTY.	DESCRIPTION
1	C1784	1	BODY MouldING	58	M8W	2	M8 x 14 O/D PLAN WASHER
2	C1728	1	TOP MOTOR COVER	60	SBI3886	2	WAVEY WASHER - FLW4
3	C1387	1	FRONT DUST BAG COVER	61	M8WSH	2	M8 SHAKEPROOF WASHER
4	C1456	1	DUST BAG	62	M8NSB	4	M8 NUT - BINX
5	SEE TABLE	1	MOTOR ASSY.	63	SBI0309	1	SCRIVET
6	C1721	1	BACK BRACKET	64	C1724	1	MOTOR PULLEY #65 JB
7	M8X7DSC	2	SOCKET SCREW M8x70mm	65	SBI6056	1	30MFD RUN CAPACITOR
8	M8X18SP	2	M8X18 POZIPAN HEAD SCREW	66	SBI5228	1	125MFD START CAPACITOR
9	C1308	1	SELECTOR PIVOT	67	SBI3856	1	2CR4-258 START RELAY
10	C1702/A	1	WELDED FRAME				
11	SBI5500	1	CIRCUIT BREAKER 12AMP.				
12	SBI5833	1	CABLE GLAND M16				
13	SBI6101/NT	2	WHEEL #200 REINFORCED-BLACK				
14	SBI3005/A	2	SPRING CAP 1/2"				
15	M8X12B5C	1	SOCKET CAP SCREW M6 x 125mm				
16	I1-4X3-4W	1	1/4" I/D x 3/4" O/D WASHER				
17	A2064	1	MOTOR PILLAR STUD				
18	A1850	1	SPRING #30 x 50				
19	A1865	1	SPRING RETAINER				
20	C1301	1	HOSE CLIP				
21	SBI8136/F	1	STRETCH HOSE				
22	SBI9668	1	HOSE END 32mm - BLACK				
23	C1705	1	SKIRT ASSEMBLY				
24	C4004/B	1	DIFFUSER FLOOR SEAL				
25	B1163	1	PAD RETAINER				
26	A1842	1	POLYETHYLENE WASHER				
27	C1728	1	DRIVE BELT 300 JB				
28	A2062	1	PULLEY SPACER				
29	SBI3764/BL	1	HANDLE END CAP - BLACK				
30	C1308	1	DRIVE BELT GUARD				
31	M8NSB	8	M8 NUT - BINX				
32	M8W	7	M8 PLAIN WASHER				
33	A2132	3	SPRING #14 x 10				
34	A2069	3	FOLDED WASHER				
35	A2066	3	MOTOR STUD				
36	A1378	4	PLAIN WASHER #30x#9x2.5				
37	M8X20CSK	1	M8 x 20 SCREW - POZIDRIVE C'SUNK HEAD				
38	M8W	4	M8 PLAIN WASHER				
39	A1620	4	SPRING #17 x 25				
40	M8X18SP	7	M8 x 18 SCREW - POZIFAN				
41	AYD10D7	1	18" DRIVE PLATE ASSY.				
42	M8X20DFPTT	4	M8 x 20 SCREW - TAPITITE				
43	M20WSP	1	M20 SPRING WASHER				
44	M20NH	1	M20 HALF NUT				
45	B1164	1	RETAINER NUT				
46	A1882	1	REINFORCING RING				
47	M4WB	1	M4 PLAIN WASHER BRASS				
48	B1307/BL	1	SWIVEL END INNER - BLACK				
49	AYP103B	1	#60mm x 75mm DRIVE PULLEY ASSY.				
50	M3WSP	2	M3 SPRING WASHER				
51	M4X10SPB	1	M4X10 POZIFAN HEAD SCREW BRASS				
52	M12W	4	M12 PLAIN WASHER				
53	C1703	1	CAPACITOR MOUNTING BRACKET				
54	A1844	1	FIXING WASHER - #10mm				
55	A1620	1	SPRING #17 x 25				
56	A1845	1	ANCHOR PIN (15mm) PLASTIC				
57	SBI6328	1	HOOK STRIP				
58	SBI6327	1	LOOP STRIP				

MODEL	DESCRIPTION	HANDLE ASSY	MOTOR ASSY
VA561	240V/50HZ/1150W	AYH1200	AYN2185
VA561021A	220V/50HZ/1150W	AYH1200	AYN2190
VA561022A	220V/50HZ/1150W VDE	AYH1200	AYN2190
VASB1FULTON	220V/50HZ/1150W	AYH1289	AYN2190

WHEN ORDERING PLEASE QUOTE PART No. AND PART DESCRIPTION

VA581 LYNX 16" DRIVE ASSY 220/240V RANGE