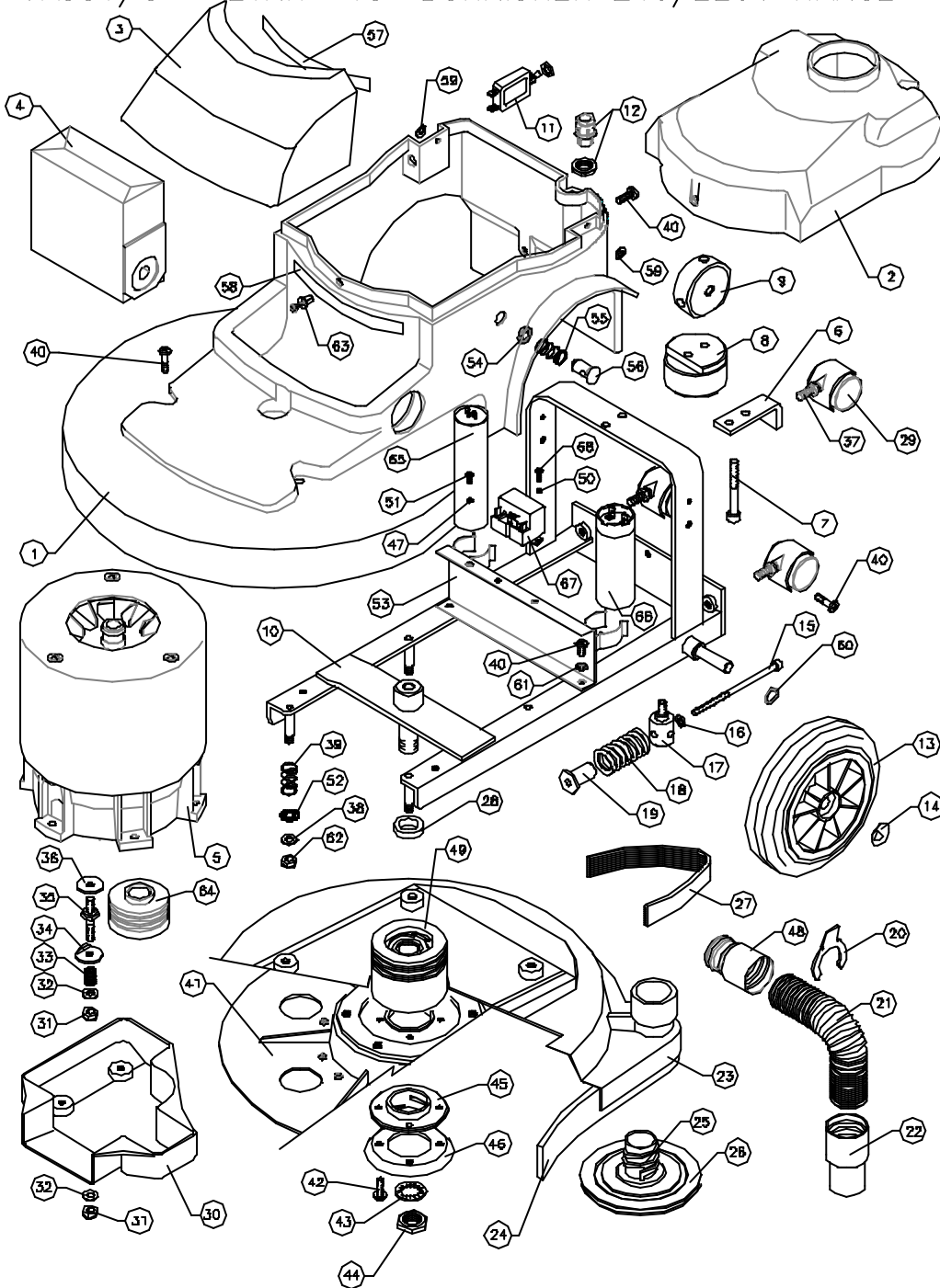


VA531/C - LYNX 15" BURNISHER 240/220V RANGE



VA531/C - LYNX 15" BURNISHER 240/220V RANGE

ITEM	PART No.	QTY.	DESCRIPTION	ITEM	PART No.	QTY.	DESCRIPTION
1	C1725/C	1	BODY MOLDING	59	M6W	2	M6 x 14 D/D PLAIN WASHER
2	C1726	1	TOP MOTOR COVER	60	SB13666	2	WAVEY WASHER - PLW4
3	C1397	1	FRONT DUST BAG COVER	61	M6WSH	2	M6 SHAKEROOF WASHER
4	C1456	1	DUST BAG	62	M6NSB	4	M6 NUT - BINX
5	SEE TABLE	1	MOTOR ASSY.	63	SB18030	1	SCRIVET
6	C1401	1	BACK BRACKET	64	C1724	1	MOTOR PULLEY #65 J8
7	M6X7D5C	2	SOCKET SCREW M6x70mm	65	SB18056	1	30MFD RUN CAPACITOR
8	C1401	1	MOUNTING BLOCK	66	SB15228	1	125MFD START CAPACITOR
9	C1399	1	SELECTOR PIVOT	67	SB13958	1	2CR4-258 START RELAY
10	C1702	1	WELDED FRAME	68	M3X18SP	2	M3X18 POZIPAN HEAD SCREW
11	SB15500	1	CIRCUIT BREAKER 12AMP.				
12	SB15633	1	CABLE GLAND M18				
13	SB16101/NT	2	WHEEL #200 REINFORCED-BLACK				
14	SB13005/A	2	SPRING CAP 1/2"				
15	M6X12D5C	1	SOCKET CAP SCREW M6 x 125mm				
16	11-4X3-4W	1	1/4" 1/D x 3/4" O/D WASHER				
17	A2064	1	MOTOR PILLAR STUD				
18	A1850	1	SPRING #30 x 50				
19	A1865	1	SPRING RETAINER				
20	C1391	1	HOSE CLIP				
21	SB16136/F	1	STRETCH HOSE				
22	SB16668	1	HOSE END 32mm - BLACK				
23	C1519	1	SHIRT ASSY.				
24	C40D4/A	1	DIFFUSER FLOOR SEAL				
25	B1163	1	PAD RETAINER				
26	A1842	1	POLYETHYLENE WASHER				
27	C1728	1	DRIVE BELT 300 J8				
28	A2062	1	PULLEY SPACER				
29	SB16529	3	#40 TWIN PLASTIC WHEEL CASTOR				
30	C1396	1	DRIVE BELT GUARD				
31	M6NSB	6	M6 NUT - BINX				
32	M6W	7	M6 PLAIN WASHER				
33	A2132	3	SPRING #14 x 15				
34	A2069	3	FOLDED WASHER				
35	A2068	3	MOTOR STUD				
36	A1378	4	PLAIN WASHER #30x#8x2.5				
37	SB16537	3	M6 x 15 CASTOR STEM				
38	M6W	4	M6 PLAIN WASHER				
39	A1820	4	SPRING #17 x 25				
40	M6X10SP	7	M6 x 10 SCREW - POZIPAN				
41	AYD1016	1	15" DRIVE PLATE ASSY.				
42	M6X20PPTT	4	M6 x 20 SCREW - TAFTITE				
43	M20WSP	1	M20 SPRING WASHER				
44	M20NH	1	M20 HALF NUT				
45	B1164	1	RETAINER NUT				
46	A1882	1	REINFORCING RING				
47	M4WB	1	M4 PLAIN WASHER BRASS				
48	B1367/BL	1	SWIVEL END INNER - BLACK				
49	AYP103B	1	#80mm x 75mm DRIVE PULLEY ASSY.				
50	M3WSP	2	M3 SPRING WASHER				
51	M4X10SPB	1	M4X10 POZIPAN HEAD SCREW BRASS				
52	M12W	4	M12 PLAIN WASHER				
53	C1703	1	CAPACITOR MOUNTING BRACKET				
54	A1944	1	FIXING WASHER - #10mm				
55	A1820	1	SPRING #17 x 25				
56	A1945	1	ANCHOR PIN (15mm) PLASTIC				
57	SB16328	1	HOOK STRIP				
58	SB16327	1	LOOP STRIP				

MODEL	DESCRIPTION	HANDLE ASSY	MOTOR ASSY
VA531/C	240V/50HZ/1150W	AYH1289	AYM2185
VA531Q21A/C	220V/50HZ/1150W	AYH1288	AYM2185
VA531Q22A/C	220V/50HZ/1150W VDE	AYH1290	AYM2185
VA531FULTON/C	220V/50HZ/1150W	AYH1288	AYM2185

WHEN ORDERING PLEASE QUOTE PART No. AND PART DESCRIPTION