

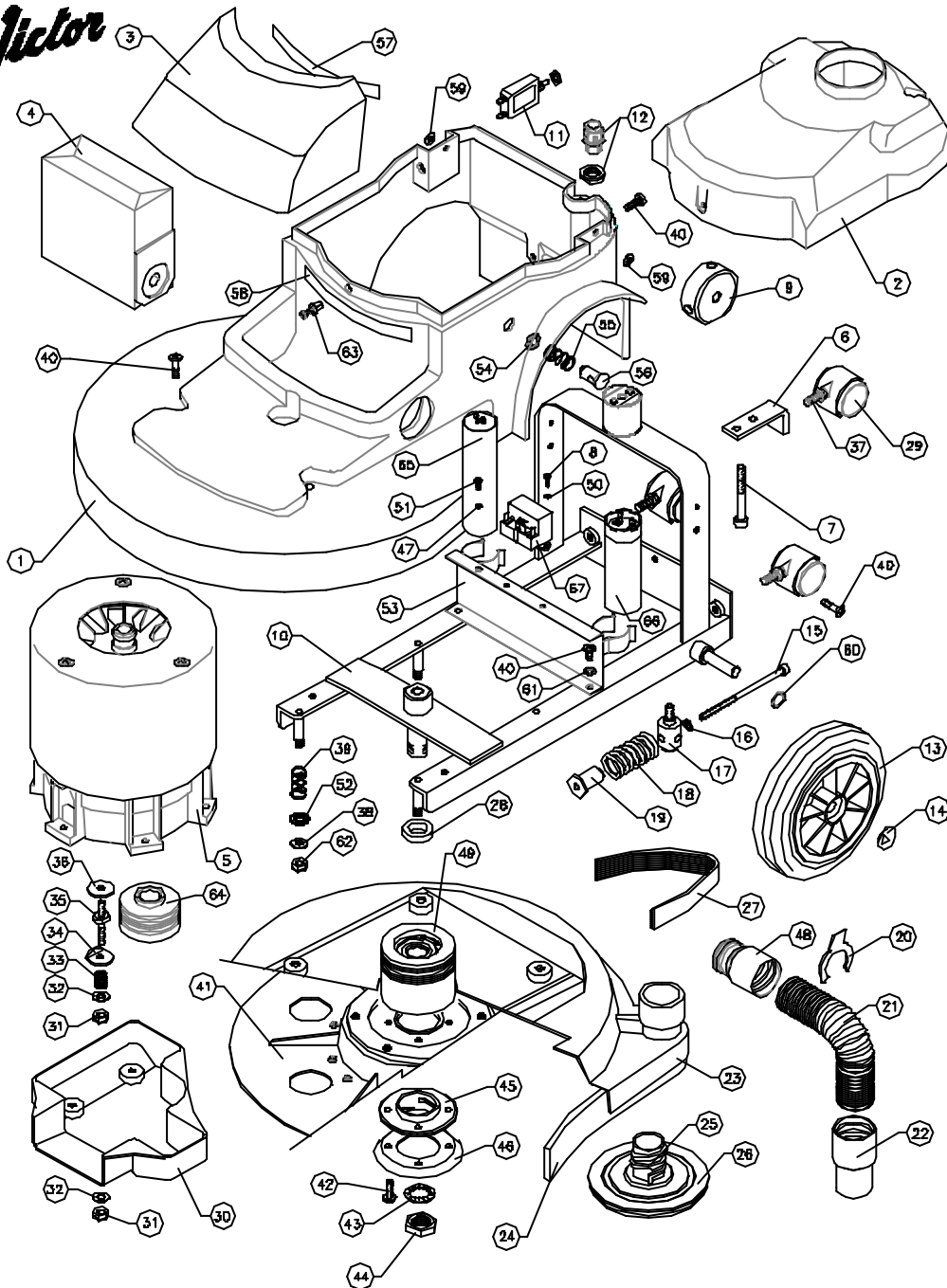
Victor



DOWDING & PLUMMER Ltd.

CALTHORPE HOUSE, STOCKFIELD ROAD,
BIRMINGHAM B27 6AP - ENGLAND

TEL: 0121-706-5771 FAX: 0121-708-1052



| ITEM | PART No. | QTY. | DESCRIPTION | ITEM | PART No. | QTY. | DESCRIPTION |
|------|-----------|------|---------------------------------|------|----------|------|--------------------------|
| 1 | C1725/C | 1 | BODY MouldING | 59 | M6W | 2 | M6 x 14 O/D PLAIN WASHER |
| 2 | C1726 | 1 | TOP MOTOR COVER | 60 | SB3606 | 2 | WAVEY WASHER - PLW4 |
| 3 | C1367 | 1 | FRONT DUST BAG COVER | 61 | M6WSH | 2 | M6 SHAKEPROOF WASHER |
| 4 | C1486 | 1 | DUST BAG | 62 | M6NSB | 4 | M6 NUT - BINX |
| 5 | SEE TABLE | 1 | MOTOR ASSY. | 63 | SB6039 | 1 | SCRIVET |
| 6 | C1801 | 1 | BACK BRACKET | 64 | C1724 | 1 | MOTOR PULLEY #65 J8 |
| 7 | N8X70SC | 2 | SOCKET SCREW M8x70mm | 65 | SB6056 | 1 | 30MFD RUN CAPACITOR |
| 8 | N3X16SP | 2 | N3X16 POZIPAN HEAD SCREW | 66 | SB6228 | 1 | 125MFD 5TART CAPACITOR |
| 9 | C1398 | 1 | SELECTOR PIVOT | 67 | SB3958 | 1 | 2CR4-258 START RELAY |
| 10 | C1702 | 1 | WELDED FRAME | | | | |
| 11 | SB5600 | 1 | CIRCUIT BREAKER 12AMP. | | | | |
| 12 | SB5833 | 1 | CABLE CLAND M16 | | | | |
| 13 | SB6101/NT | 2 | WHEEL #200 REINFORCED-BLACK | | | | |
| 14 | SB3005/A | 2 | SPRING CAP 1/2" | | | | |
| 15 | N6X1295C | 1 | SOCKET CAP SCREW M6 x 125mm | | | | |
| 16 | I1-4X3-4W | 1 | 1/4" I/D x 3/4" O/D WASHER | | | | |
| 17 | A2084 | 1 | MOTOR PILLAR STUD | | | | |
| 18 | A1860 | 1 | SPRING #30 x 50 | | | | |
| 19 | A1866 | 1 | SPRING RETAINER | | | | |
| 20 | C1391 | 1 | HOSE CLIP | | | | |
| 21 | SB6136/F | 1 | STRETCH HOSE | | | | |
| 22 | SB5668 | 1 | HOSE END 32mm - BLACK | | | | |
| 23 | C1519 | 1 | SKIRT ASSY. | | | | |
| 24 | DA004/A | 1 | DIFFUSER FLOOR SEAL | | | | |
| 25 | B1183 | 1 | PAD RETAINER | | | | |
| 26 | A1842 | 1 | POLYETHYLENE WASHER | | | | |
| 27 | C1728 | 1 | DRIVE BELT 300 J8 | | | | |
| 28 | A2082 | 1 | PULLEY SPACER | | | | |
| 29 | SB6029 | 3 | #40 TWIN PLASTIC WHEEL CASTOR | | | | |
| 30 | C1398 | 1 | DRIVE BELT GUARD | | | | |
| 31 | M6NSB | 6 | M6 NUT - BINX | | | | |
| 32 | N6W | 7 | M6 PLAIN WASHER | | | | |
| 33 | A2132 | 3 | SPRING #14 x 15 | | | | |
| 34 | A2060 | 3 | FOLDED WASHER | | | | |
| 35 | A2088 | 3 | MOTOR STUD | | | | |
| 36 | A1378 | 4 | PLAIN WASHER #30x#6x2.5 | | | | |
| 37 | SB6537 | 3 | M6 x 15 CASTOR STEM | | | | |
| 38 | N6W | 4 | M6 PLAIN WASHER | | | | |
| 39 | A1628 | 4 | SPRING #17 x 23 | | | | |
| 40 | N6X10SP | 7 | M6 x 10 SCREW - POZIPAN | | | | |
| 41 | AYD1016 | 1 | 15" DRIVE PLATE ASSY. | | | | |
| 42 | N6X20PPTT | 4 | M6 x 20 SCREW - TAPITTE | | | | |
| 43 | M2DWSP | 1 | M2D SPRING WASHER | | | | |
| 44 | M2DNH | 1 | M2D HALF NUT | | | | |
| 45 | B1184 | 1 | RETAINER NUT | | | | |
| 46 | A1882 | 1 | REINFORCING RING | | | | |
| 47 | N4WB | 1 | N4 PLAIN WASHER BRASS | | | | |
| 48 | B1367/BL | 1 | SWIVEL END INNER - BLACK | | | | |
| 49 | AYP1036 | 1 | #80mm x 75mm DRIVE PULLEY ASSY. | | | | |
| 50 | M3WSP | 2 | M3 SPRING WASHER | | | | |
| 51 | N4X10SPB | 1 | N4X10 POZIPAN HEAD SCREW BRASS | | | | |
| 52 | N12W | 4 | N12 PLAIN WASHER | | | | |
| 53 | C1703 | 1 | CAPACITOR MOUNTING BRACKET | | | | |
| 54 | A1944 | 1 | FIXING WASHER - #10mm | | | | |
| 55 | A1820 | 1 | SPRING #17 x 25 | | | | |
| 56 | A1946 | 1 | ANCHOR PIN (10mm) PLASTIC | | | | |
| 57 | SB6326 | 1 | HOOK STRIP | | | | |
| 58 | SB6327 | 1 | LOOP STRIP | | | | |

| MODEL | DESCRIPTION | HANDLE ASSY | MOTOR ASSY |
|---------------|---------------------|-------------|------------|
| VA531/C | 240V/50HZ/1150W | AYH1209 | AYM2185 |
| VA531D21A/C | 220V/50HZ/1150W | AYH1209 | AYM2185 |
| VA531D22A/C | 220V/50HZ/1150W VDE | AYH1290 | AYM2185 |
| VA531FULTON/C | 220V/50HZ/1150W | AYH1209 | AYM2185 |

WHEN ORDERING PLEASE QUOTE PART No. AND PART DESCRIPTION

VA531/C LYNX 15" DRIVE ASSY 220/240V RANGE