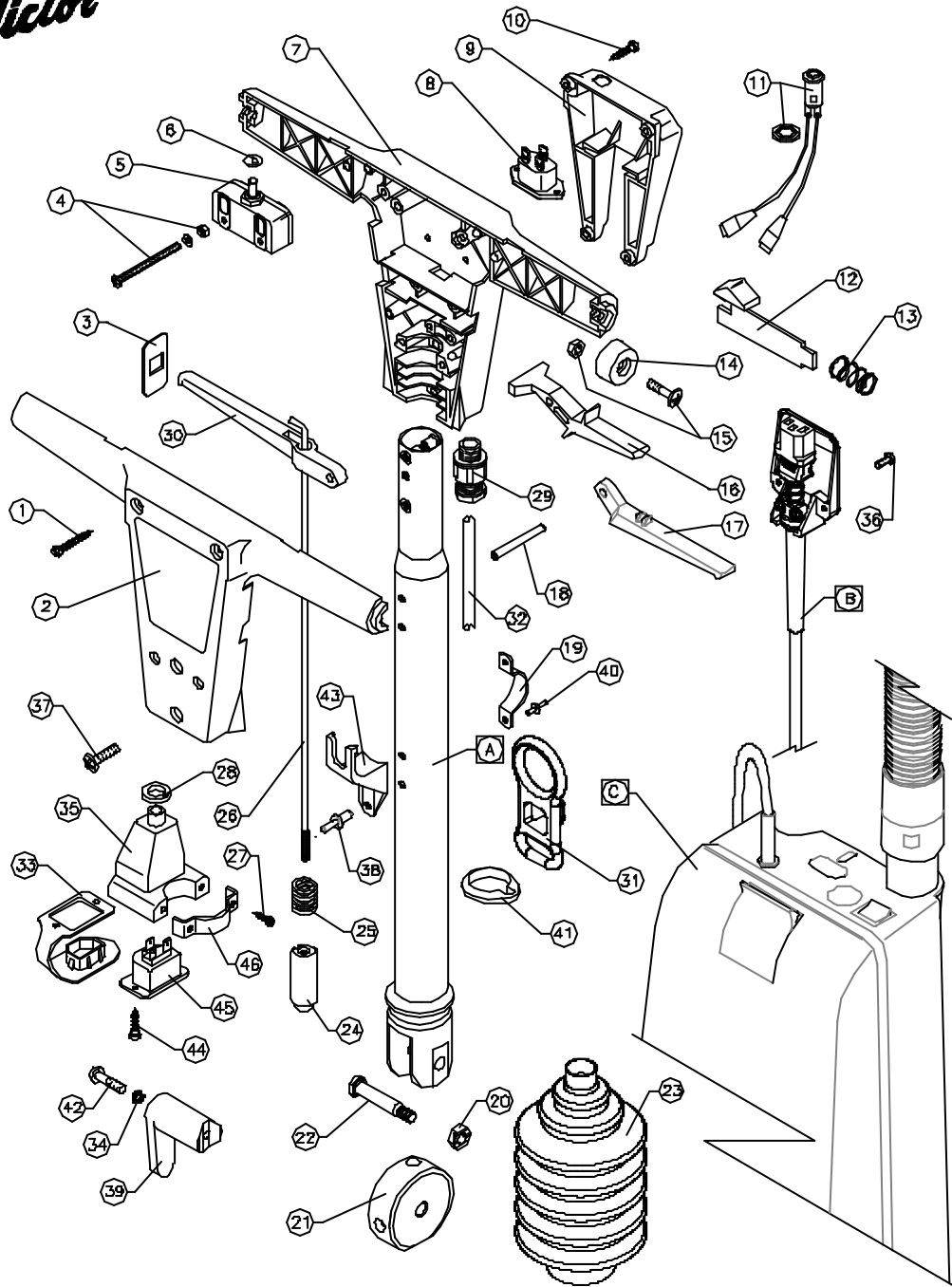


**Victor**



**DOWDING & PLUMMER Ltd.**

CALTHORPE HOUSE, STOCKFIELD ROAD,  
BIRMINGHAM B27 6AP - ENGLAND  
TEL: 0121-706-5771 FAX: 0121-708-1052



ITEM	PART No.	QTY.	DESCRIPTION
1	IN10X1.1-2PP	4	SCREW S.T. No.10 x 1 1/2"
2	SBI3759/BL	1	SWITCH BOX MOULDING - FRONT
3	SBI3763/BL	2	LEVER ENTRY SHIELD
4	-	2	M4x55mm SCREW, NUT, PLAIN & S.P. WASHER
5	SBI3738	2	SINGLE POLE ON/OFF SWITCH
6	SBI3744	2	SPRING CAP 1/4"
7	SBI3758/BL	1	SWITCH BOX MOULDING - REAR
8	SBI3650	1	INLET SOCKET
9	A1001/BL	1	SOCKET BOX MOULDING
10	IN10X3-4PT	4	SCREW S.T. No.10 x 3/4"
11	SBI5636	1	200/250V NEON LIGHT & RETAINING RING
12	A1821/BL	2	TRIGGER RELEASE SLIDE
13	A1620	2	SPRING #17x25
14	SBI3764/BL	2	HANDLE END CAP
15	-	2	SCREW M6x20 P.H. & NUT
16	SBI3760/BL	2	SWITCH LEVER
17	C1412/BL	1	FLUID LEVER
18	A1141	3	LEVER PIVOT PIN
19	A1649/BL	2	CABLE RESTRAINT BRACKET
20	M8NSB	1	NUT - M8 BINX
21	C1369	1	SELECTOR PIVOT
22	A1899	1	PIVOT BOLT
23	DD429	1	BELLOWS
24	A1802	1	SELECTOR PLUNGER
25	A1743	1	SELECTOR SPRING
26	C1803	1	PULL ROD - 345 LONG
27	M6x30PP	2	M6 x 30 SPAX POZIDRIVE PANHEAD SCREW
28	SBI5602	1	RUBBER WASHER
29	SBI3373	1	CABLE CLAND - M16
30	SBI3761/BL	1	HANDLE ADJUSTMENT LEVER
31	D0560	1	CABLE RESTRAINT
32	C1806	1	DOWNLEAD (1.5mm) 3 CORE - 1060mm LONG
33	A1746	1	HANDLE INLET SOCKET COVER
34	M8WSP	1	M8 SPRING WASHER
35	A1686	1	INLET SOCKET BOX MOULDING
36	M4X10CHS	2	SCREW M4 x 10 CHEESE HEAD SLOTTED
37	DD812	4	SCREW M6 x 20 POZIPAN
38	SBI5424	4	"POP" RIVET 3/16" x 1/2" LONG
39	D0390	1	CABLE HOOK
40	SBI5772	2	"POP" RIVET #3.2 x # (1/8" x 5/16")
41	A1854	1	CABLE RETAINING RING - BLACK
42	MBX25PP	1	M6 x 25 POZIDRIVE PANHEAD SCREW
43	B1062	2	QUICK RELEASE BRACKET
44	IN6X1/2PP	2	No.6 x 1/2" POZIDRIVE PANHEAD SCREW
45	SBI5551	1	SOCKET OUTLET
46	A1807/BL	1	BRACKET QUICK RELEASE

ITEM	ASSY No.	QTY.	DESCRIPTION
A	AYT2019	1	DOWN TUBE ASSY
B	D1000	1	HIGH VISIBILITY UK CABLE PACK ASSY
	D1001	1	HIGH VISIBILITY EURO CABLE PACK ASSY
C	AYE5000	1	EXHAUSTER UNIT ASSY

WHEN ORDERING PLEASE QUOTE PART No. AND PART DESCRIPTION

AYH1297-20" LYNX HANDLE ASSY(FOR EXHAUSTER)-  
220/240V