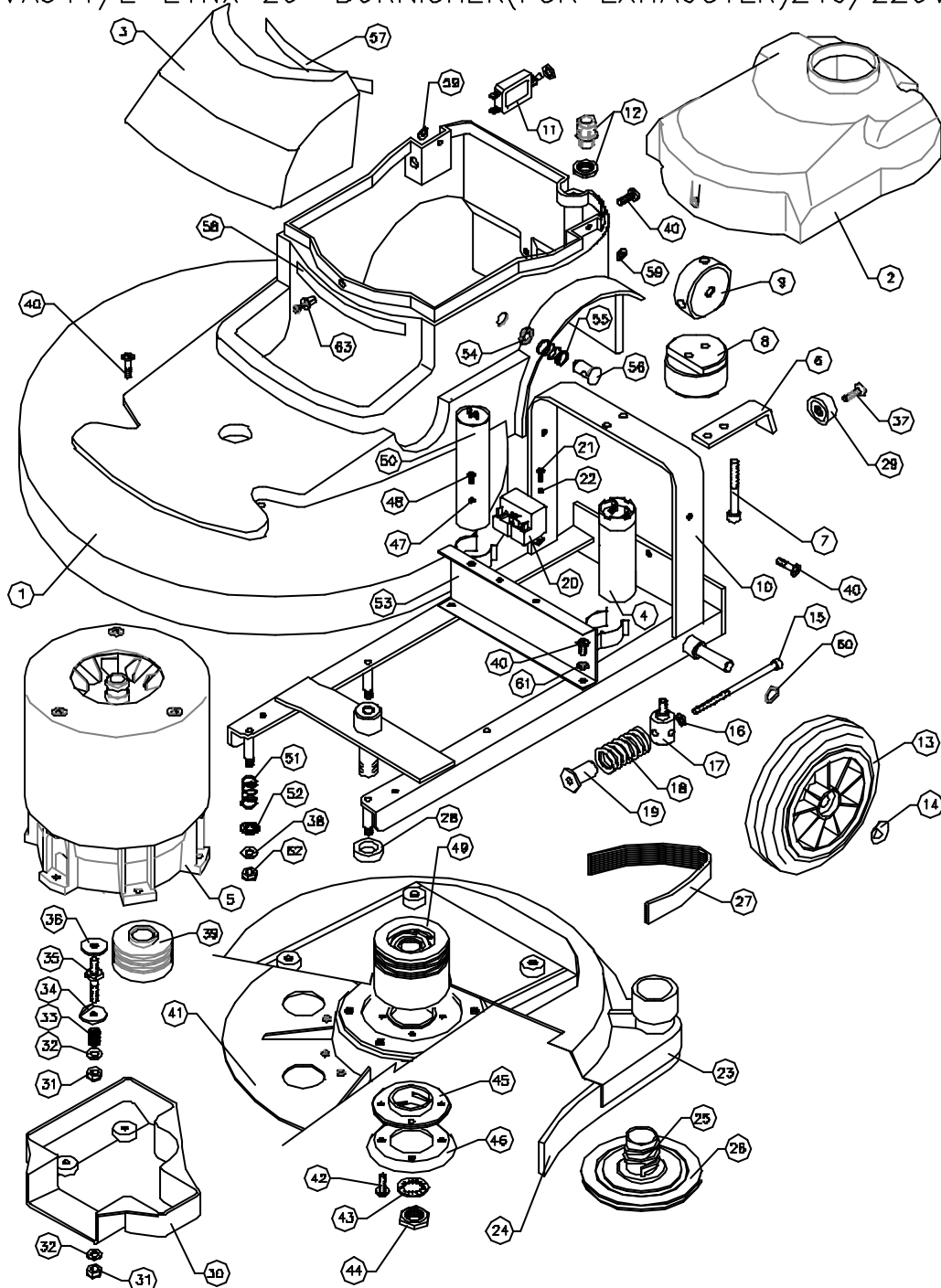


VA541/E-LYNX 20" BURNISHER(FOR EXHAUSTER)240/220V VA541/E-LYNX 20" BURNISHER(FOR EXHAUSTER)240/220V



ITEM	PART No.	QTY.	DESCRIPTION	ITEM	PART No.	QTY.	DESCRIPTION
1	C1788/E	1	BODY MOLDING	59	M6W	2	M6 x 14 D/D PLAIN WASHER
2	C1726	1	TOP MOTOR COVER	60	SBI3666	2	WAVEY WASHER - PLW4
3	C1397	1	FRONT DUST BAG COVER	61	M6WSH	2	M6 SHAKERPROOF WASHER
4	SBI5228	1	125MFD START CAPACITOR	62	M6NSB	4	M6 NUT - BINX
5	SEE TABLE	1	MOTOR ASSY.	63	SBI8030	1	SCRIVET
6	C1721	1	BACK BRACKET				
7	M6X7DSC	2	SOCKET SCREW M6x70mm				
8	C1401	1	MOUNTING BLOCK				
9	C1399	1	SELECTOR PIVOT				
10	C1787/A	1	WELDED FRAME				
11	SBI5500	1	CIRCUIT BREAKER 12AMP.				
12	SBI5633	1	CABLE GLAND M18				
13	SBI6101/NT	2	WHEEL #200 REINFORCED-BLACK				
14	SBI3005/A	2	SPRING CAP 1/2"				
15	M6X12DSC	1	SOCKET CAP SCREW M6 x 123mm				
16	I1-4X3-4W	1	1/4" 1/D x 3/4" O/D WASHER				
17	A2064	1	MOTOR PILLAR STUD				
18	A1850	1	SPRING #30 x 50				
19	A1865	1	SPRING RETAINER				
20	SBI3958	1	2CR4-258 START RELAY				
21	N3X16SP	2	M3 x 16 POZIPAN HEAD SCREW				
22	N3WSP	2	M3 SPRING WASHER				
23	C1788	1	SKIRT ASSEMBLY				
24	C40D4/E	1	DIFFUSER FLOOR SEAL				
25	B1163	1	PAD RETAINER				
26	A1842	1	POLYETHYLENE WASHER				
27	SBI5816	1	DRIVE BELT 350 JB				
28	A2062	1	PULLEY SPACER				
29	SBI3764/BL	1	HANDLE END CAP - BLACK				
30	C1396	1	DRIVE BELT GUARD				
31	M6NSB	6	M6 NUT - BINX				
32	M6W	7	M6 PLAIN WASHER				
33	A2132	3	SPRING #14 x 15				
34	A2069	3	FOLDED WASHER				
35	A2068	3	MOTOR STUD				
36	A1378	4	PLAIN WASHER #30x#8x2.5				
37	M6X2DCSK	1	M6 x 20 SCREW - POZIDRIVE C'SUNK HEAD				
38	M6W	4	M6 PLAIN WASHER				
39	C1724	1	MOTOR PULLEY #65 JB				
40	M6X10SP	7	M6 x 10 SCREW - POZIPAN				
41	AYD1008	1	20" DRIVE PLATE ASSY.				
42	M6X2DPPTT	4	M6 x 20 SCREW - TAPTITE				
43	M20WSP	1	M20 SPRING WASHER				
44	N20NH	1	M20 HALF NUT				
45	B1164	1	RETAINER NUT				
46	A1882	1	REINFORCING RING				
47	N4WB	1	M4 PLAIN WASHER BRASS				
48	M4X10SPB	1	M4 x 10 POZIPAN HEAD SCREW BRASS				
49	AYP1036	1	#80mm x 75mm DRIVE PULLEY ASSY.				
50	SBI6056	1	30MFD RUN CAPACITOR				
51	A1620	4	SPRING #17 x 23				
52	M12W	4	M12 PLAIN WASHER				
53	C1703	1	CAPACITOR MOUNTING BRACKET				
54	A1944	1	FIXING WASHER - #10mm				
55	A1820	1	SPRING #17 x 25				
56	A1945	1	ANCHOR PIN (15mm) PLASTIC				
57	SBI6328	1	HOOK STRIP				
58	SBI6327	1	LOOP STRIP				

MODEL	DESCRIPTION	HANDLE ASSY	MOTOR ASSY
VA541/E	240V/50HZ/1150W	AYH1297	AYM2185
VA541Q21A/E	220V/50HZ/1150W	AYH1297	AYM2185
VA541Q22A/E	220V/50HZ/1150W VDE	AYH1298	AYM2185
VA541FULTON/E	220V/50HZ/1150W	AYH1297	AYM2185

WHEN ORDERING PLEASE QUOTE PART No. AND PART DESCRIPTION