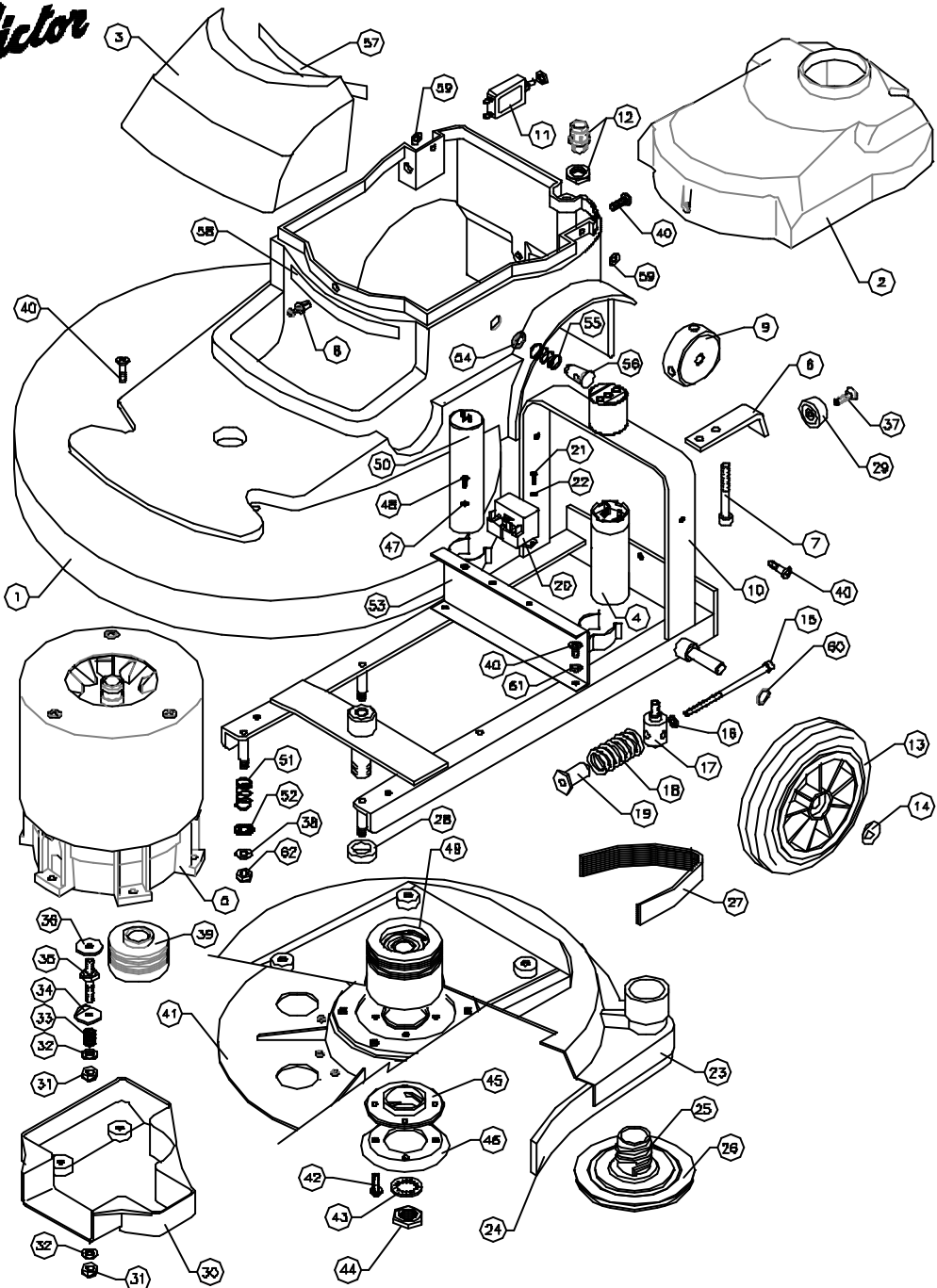


Victor



DOWDING & PLUMMER Ltd.

CALTHORPE HOUSE, STOCKFIELD ROAD,
BIRMINGHAM B27 6AP - ENGLAND

TEL: 0121-706-5771 FAX: 0121-708-1052

ITEM	PART No.	QTY.	DESCRIPTION	ITEM	PART No.	QTY.	DESCRIPTION
1	C1786/E	1	BODY MouldING	58	N6W	2	N6 x 14 O/D FLAIN WASHER
2	C1726	1	TOP MOTOR COVER	59	SB13666	2	WAVEY WASHER - PLW4
3	C1387	1	FRONT DUST BAG COVER	61	N6WSH	2	N6 SHAKEPROOF WASHER
4	SB10228	1	125MFD START CAPACITOR	62	N8NSB	4	N8 NUT - BINX
5	SEE TABLE	1	MOTOR ASSY.				
6	C1721	1	BACK BRACKET				
7	N6X70SC	2	SOCKET SCREW N6x70mm				
8	SB16039	1	SCRIVET				
9	C1388	1	SELECTOR PIVOT				
10	C1787/A	1	WELDED FRAME				
11	SB15500	1	CIRCUIT BREAKER 12AMP.				
12	SB15833	1	CABLE GLAND M18				
13	SB16101/NT	2	WHEEL Ø200 REINFORCED-BLACK				
14	SB13005/A	2	SPRING CAP 1/2"				
15	N6X1295C	1	SOCKET CAP SCREW N6 x 125mm				
16	I1-4X3-4W	1	1/4" I/D x 3/4" O/D WASHER				
17	A2084	1	MOTOR PILLAR STUD				
18	A1868	1	SPRING #30 x 80				
18	A1865	1	SPRING RETAINER				
20	SB13958	1	2CR4-25B START RELAY				
21	N3X185P	2	N3 x 18 POZIPAN HEAD SCREW				
22	N3WSP	2	N3 SPRING WASHER				
23	C1788	1	SKIRT ASSEMBLY				
24	C4004/E	1	DIFFUSER FLOOR SEAL				
25	B1183	1	PAD RETAINER				
26	A1842	1	POLYETHYLENE WASHER				
27	SB15816	1	DRIVE BELT 350 J8				
28	A2082	1	FULLEY SPACER				
28	SB15764/BL	1	HANDLE END CAP - BLACK				
30	C1385	1	DRIVE BELT GUARD				
31	N8NSB	6	N8 NUT - BINX				
32	N8W	7	N8 PLAIN WASHER				
33	A2132	3	SPRING #14 x 15				
34	A2088	3	FOLDED WASHER				
35	A2085	3	MOTOR STUD				
36	A1378	4	PLAIN WASHER #30x#8x2.5				
37	N6X20CSK	1	N6 x 20 SCREW - POZIDRIVE C-SUNK HEAD				
38	N8W	4	N8 PLAIN WASHER				
39	C1724	1	MOTOR FULLEY #85 J8				
40	N6X105P	7	N6 x 10 SCREW - POZIPAN				
41	AYD1008	1	20" DRIVE PLATE ASSY.				
42	N6X20PPTT	4	N6 x 20 SCREW - TAPITTE				
43	N20WSP	1	N20 SPRING WASHER				
44	N20NH	1	N20 HALF NUT				
45	B1184	1	RETAINER NUT				
46	A1882	1	REINFORCING RING				
47	N4WB	1	N4 PLAIN WASHER BRASS				
48	N4X105PB	1	N4 x 10 POZIPAN HEAD SCREW BRASS				
48	AYP1036	1	Ø80mm x 70mm DRIVE PULLEY ASSY.				
50	SB18056	1	30MFD RUN CAPACITOR				
51	A1820	4	SPRING #17 x 25				
52	M12W	4	M12 PLAIN WASHER				
53	C1703	1	CAPACITOR MOUNTING BRACKET				
54	A1944	1	FIXING WASHER - Ø10mm				
55	A1820	1	SPRING #17 x 25				
56	A1945	1	ANCHOR PIN (10mm) PLASTIC	MODEL	DESCRIPTION	HANDLE ASSY	MOTOR ASSY
57	SB16328	1	HOOK STRIP	VA841/E	240V/ØØHZ/1150W	AYH1297	AYM2185
58	SB16327	1	LOOP STRIP	VA841B21A/E	220V/ØØHZ/1150W	AYH1297	AYM2185
				VA841B22A/E	220V/ØØHZ/1150W VDE	AYH1298	AYM2185
				VA341FULTON/E	220V/3ØHZ/1150W	AYH1297	AYM2185

WHEN ORDERING PLEASE QUOTE PART No. AND PART DESCRIPTION

VA541/E-LYNX 20" BURNISHER(FOR EXHAUSTER)220/240V