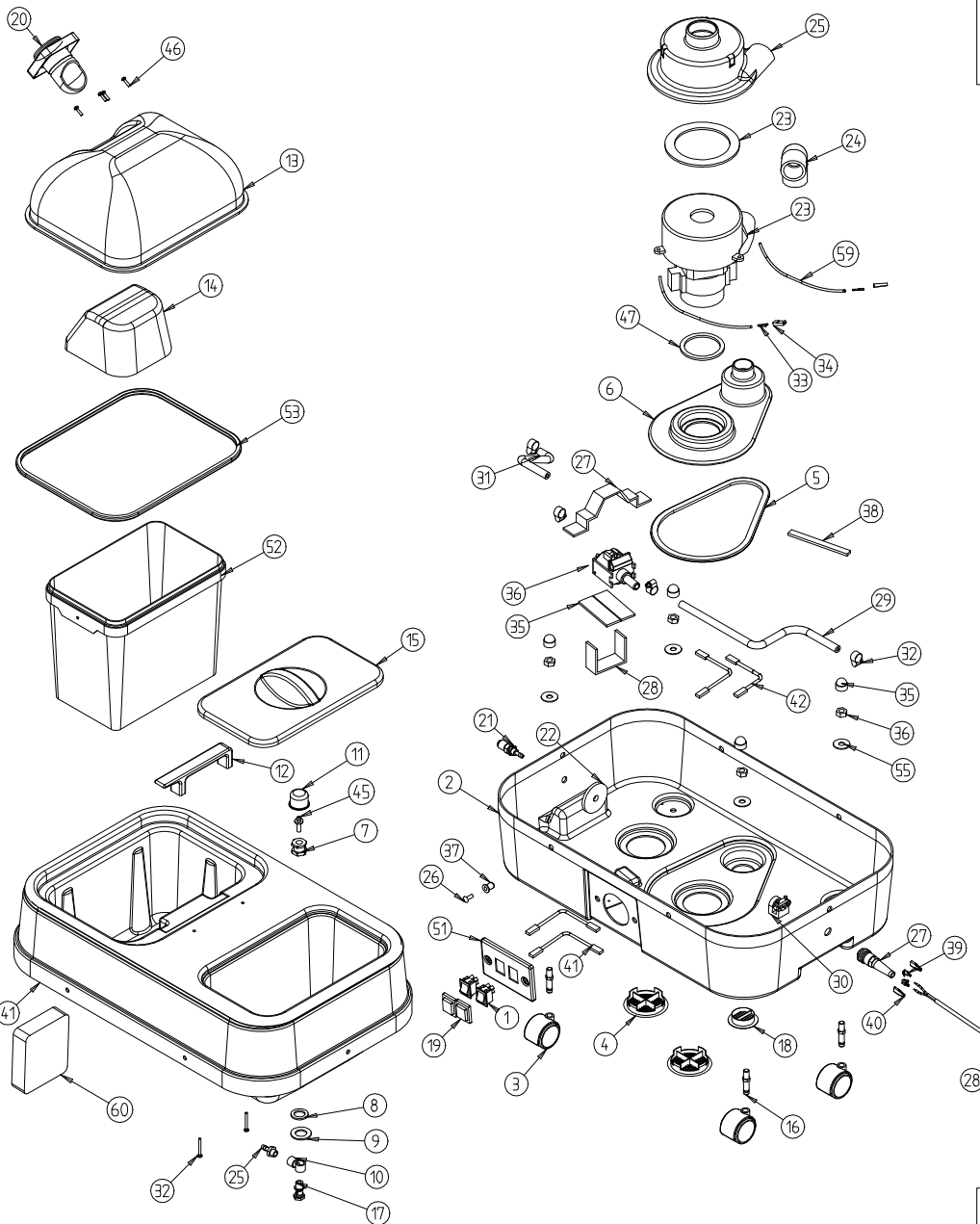


# Victor



## DOWDING & PLUMMER Ltd.

CALTHORPE HOUSE, STOCKFIELD ROAD,

BIRMINGHAM B27 6AP - ENGLAND

TEL: 0121-706-5771 FAX: 0121-708-1052

Item Number	Document Number	Quantity	Title	Item Number	Document Number	Quantity	Title
1	C1715	2	SWITCH 4 CONNECTOR	31	D0094F	1	HOSE
2	D0061	1	BOTTOM CASING	32	SBI3976	4	HOSE CLIP
3	SBI6612	4	CASTOR	33	SBI3315	2	6.3mm FEMALE TAG
4	SBI6391	2	LARGE VENT	34	SBI5932	2	6.3mm POST FIT BOOT
5	D0168A	1	FOAM STRIP	35	SBI6613	4	POTECTION CAPS
6	D0067	1	INLET/EXHAUST FLANGE	36	M10N	4	CASTOR NUT
7	SBI6637	1	BAULKHEAD FITTING AND NUT	37	SBI6404	8	M6 SHORT JACKNUT
8	D0149	1	RUBBER GASKET	38	D0168B	1	FOAM STRIP
9	M20W	1	M20 WASHER	39	SBI3726	2	6.3mm PIGGY BACK TAG
10	SBI6638	1	FEMALE BANJO BODY	40	SBI3316	2	6.3mm PRE FIT MALE BOOT
11	SBI6814	1	MICRO MESH FILTER ST ST	41	D0160	1	UPPER CASING AND BUCKET ASSY
12	B1356	1	COVER HANDLE	42	D0107	1	SWITCH PLATE
13	D0068	1	INLET DOME	43	SBI6617	1	10LTR BUCKET
14	D0069	1	INLET DIFFUSER	44	D0166A	1	CLEAR DOME SEAL
15	D0070	1	CLEAN WATER LID	45	D0075	1	FILTER ADAPTOR
16	SBI6611	4	CASTOR STEMS	46	D0150C	1	UNIVERSAL SEAL KIT
17	SBI6639	1	MALE BANJO BOLT	47	M10WSS	4	WASHER STAINLESS STEEL
18	SBI6392	1	SMALL VENT	48	SBI6582	1	VAC MOTOR
19	SBI6413	2	SPLASHPROOF COVER	49	D0065	1	MOTOR HOUSING
20	SBI6616	1	INTAKE	50	D0150B	1	UNIVERSAL SEAL KIT
21	SBI6572	1	PANEL MOUNTING COUPLING	51	SBI6409	1	CABLE RESTRAINT
22	D0164	1	STRENGTH DISK PLASTIC	52	C1095	1	INPUT POWER CORD
23	D0150A	1	MOTOR SEAL	53	M4X16PP	4	M4x16 POZIPAN SCREW
24	C1437	1	MOULDED ELBOW	54	M4X35PP	2	M4x35 POZIPAN SCREWS
25	SBI6576	1	1/4" TO 6mm HOSETAIL	55	D0122C	2	FOAM GASKET STRIP
26	SBI6615	8	M6X6 BLK NYLON PAN PHILIPS SCREW	56	SBI6679	1	PUMP - 50psi
27	D0122A	1	FOAM GASKET STRIP	57	SBI5565	3	PUMP TO SWITCH CABLE
28	D0122B	1	FOAM GASKET STRIP	58	C1835	1	PUMP GABLE WITH DIODE
29	D0094G	1	HOSE	59	SBI6669	2	VAC MOTOR LEADS
30	SBI3928	1	CONCLAMP	60	D0254	1	AIR FILTER

WHEN ORDERING PLEASE QUOTE PART No. AND PART DESCRIPTION

CX10 ASSEMBLY 240V