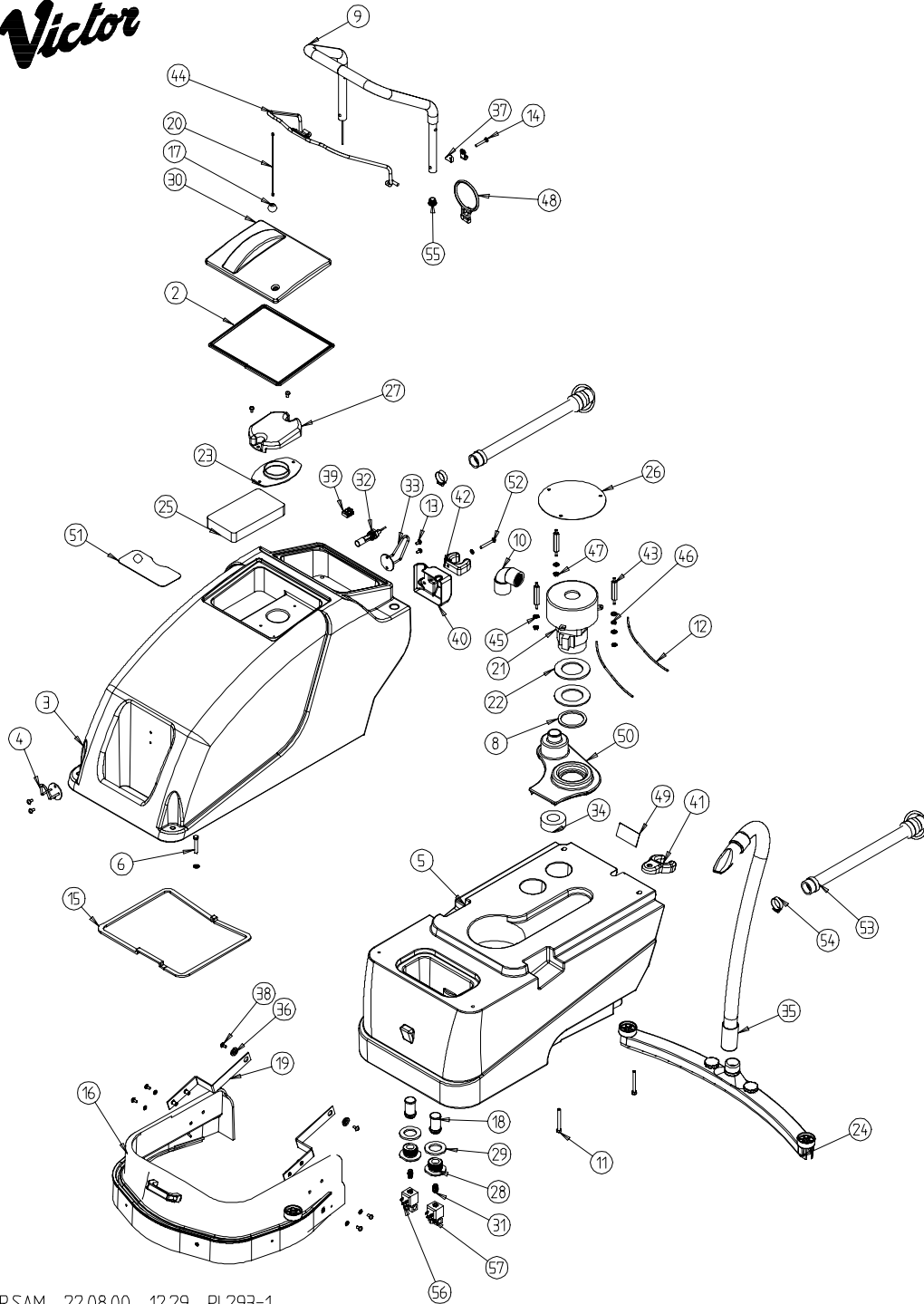


Victor



DOWDING & PLUMMER Ltd.

CALTHORPE HOUSE, STOCKFIELD ROAD,
BIRMINGHAM B27 6AP - ENGLAND

TEL: 0121-706-5771 FAX: 0121-708-1052

Item Number	Document Number	Quantity	Title	Item Number	Document Number	Quantity	Title
1	M6WB	5	M6 PLAIN WASHER BLACK	32	SBI6560	1	WATER LEVEL SENSOR
2	D0246	1	TOP TANK COVER SEAL	33	D0214	1	CABLE HOOK
3	D0036	1	TOP TANK	34	C1439	21	EXHAUST FOAM
4	D0047	1	BRUSH HOLDER BRACKET	35	AYH2036	1	SQUEEGEE HOSE ASSEMBLY
5	D0035	1	BOTTOM TANK	36	D0170	2	SPRAY GUARD BRACKET BUSH
6	M8X50HH-SS	2	M8X50 HEXAGON HEAD BOLT	37	SBI6433	1	SADDLE WASHER
7	SBI6677	1	CABLE GUIDE HOOK	38	M6X12PPSS	2	M6X12 POZIPAN SCREW STAINLESS STEEL
8	D0150C	1	UNIVERSAL SEAL KIT	39	SBI6467	1	3 WAY TERMINAL BLOCK
9	AYH1813	1	HANDLE ASSEMBLY	40	D0182	1	FLOAT SWITCH COVER
10	C1437	1	MOULDED ELBOW	41	D0184	1	DUMP HOSE CLIP CLEAN
11	M8X70HH-SS	2	M8X70 HEXAGON HEAD BOLT	42	D0183	1	DUMP HOSE CLIP RECOVERY
12	SBI6669	2	VAC MOTOR LEADS	43	D0165	3	MOTOR FIXING STUD
13	M6X12PPB	10	M6X12POZIPAN SCREW	44	AYH1814	1	CUT OUT BAR ASSEMBLY
14	M6X40PPB	1	M6X40 POZIPAN SCREW BLACK	45	M8WSS	5	M8 WASHER STAINLESS STEEL
15	SBI6644	1	VAC MOTOR CHAMBER GASKET	46	M8HNSS	2	M8 HALF NUT STAINLESS STEEL
16	AYS1020	1	SPRAY GUARD ASSEMBLY	47	M8NSS	2	M8 NUT
17	D0217	1	WEIGHT	48	D0181	1	CABLE RESTRAINT
18	SBI6607	2	3/4 TANK OUTLET FILTERS	49	A1930	1	SERIAL NUMBER LABEL
19	D0169	2	SPRAY GUARD BRACKET ASSEMBLY	50	AYM1406	1	MAINFOLD ASSEMBLY
20	SBI6258	1	NYLON CORD	51	AYF1001	1	CLEAN WATER FILTER ASSEMBLY
21	SBI6582	1	VAC MOTOR	52	M6X50PPB	1	M6X50 POZIPAN SCREW BLACK
22	D0150B	2	UNIVERSAL SEAL KIT	53	AYH2037	2	DUMP HOSE ASSEMBLY
23	D0209	1	AIR INTAKE BASE	54	SBI6442	2	HOSE CLIP
24	AYN1003	1	SQUEEGEE ASSEMBLY	55	SBI6395	1	TUBE END PLUG
25	D0196	1	RECOVERY TANK SPLASH FOAM	56	SBI6630	1	SOLENOID 4mm ORIFICE
26	D0172	1	VAC MOTOR EARTH GRILL	57	SBI6559	1	SOLENOID 3mm ORIFICE
27	D0207	1	AIR INTAKE COVER				
28	D0084	2	SOLENOID TO TANK PLUG				
29	D0085	2	SOLENOID PLUG GASKET				
30	D0077	1	TOP TANK COVER				
31	SBI6649	2	1/4 TO 1/4 BSP NIPPLE				

WHEN ORDERING PLEASE QUOTE PART No. AND PART DESCRIPTION

SD 40 TWIN TANK ASSEMBLY

240V