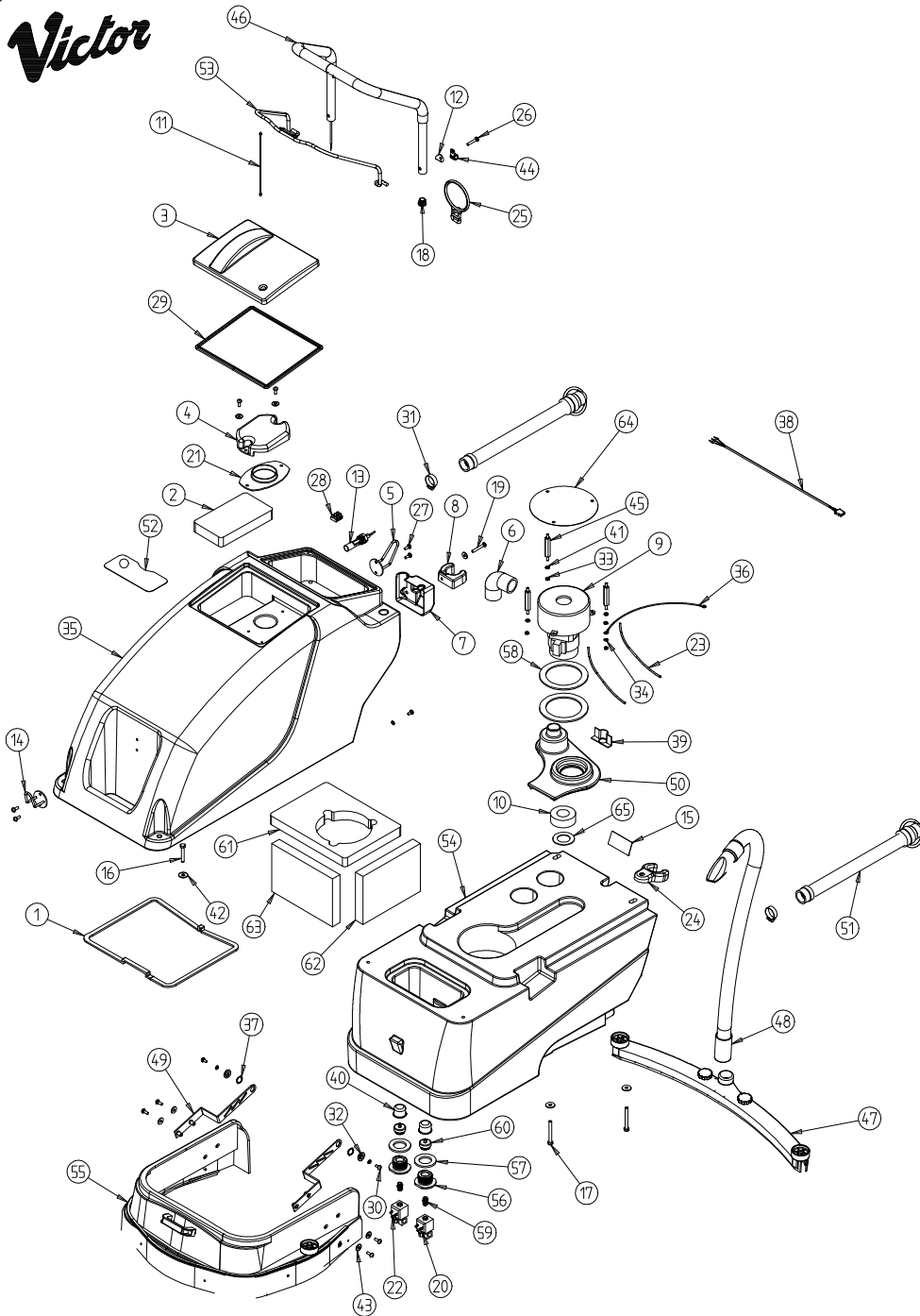


**Victor**



**DOWDING & PLUMMER Ltd.**

CALTHORPE HOUSE, STOCKFIELD ROAD,

BIRMINGHAM B27 6AP - ENGLAND

TEL: 0121-706-5771 FAX: 0121-708-1052

Item Number	Document Number	Quantity	Title	Item Number	Document Number	Quantity	Title
1	SBI6644	1	VAC MOTOR CHAMBER GASKET	34	M6WSH	4	M6 SHAKEPROOF WASHER
2	D0196	1	RECOVERY TANK SPLASH FOAM	35	D0036	1	TOP TANK
3	D0077	1	TOP TANK COVER	36	C1863	1	EARTH CABLE
4	D0207	1	AIR INTAKE COVER	37	SBI3666	2	WAVEY WASHER - PLW4
5	D0214	1	CABLE HOOK	38	D0258	1	3 PIN PLUG CUT-OUT CABLE
6	C1437	1	MOULDED ELBOW	39	D0273	1	WIRING LOOM CLIP
7	D0182	1	FLOAT SWITCH COVER	40	SBI6814	2	MICRO MESH FILTER ST ST
8	D0183	1	DUMP HOSE CLIP RECOVERY	41	M6WSS	3	M6 PLAIN WASHER ST ST
9	SBI6582	1	VAC MOTOR	42	M8X250DW-SS	4	M8 x 25 WASHER ST ST
10	C1439	22	EXHAUST FOAM	43	I1-4X3-4WB	7	1/4"x3/4" PLAIN WASHER BLACK
11	SBI6258	1	NYLON CORD	44	SBI6698	1	CABLE GUIDE HOOK
12	SBI6433	1	SADDLE WASHER	45	D0165	3	MOTOR FIXING STUD
13	SBI6560	1	WATER LEVEL SENSOR	46	AYH1813	1	HANDLE ASSEMBLY
14	D0047	1	BRUSH HOLDER BRACKET	47	AYN1003	1	SQUEEGEE ASSEMBLY
15	C1386	1	SERIAL NUMBER LABEL	48	AYH2036	1	SQUEEGEE HOSE ASSEMBLY
16	M8X50HH-SS	2	M8X50 HEXAGON HEAD BOLT	49	D0169	2	SPRAY GUARD BRACKET ASSY
17	M8X70HH-SS	2	M8X70 HEXAGON HEAD BOLT	50	AYM1406	1	MAINFOLD ASSEMBLY
18	SBI6395	1	TUBE END PLUG	51	AYH2037	2	DUMP HOSE ASSEMBLY
19	M6x45PPB	1	M6x45 POZIPAN SCREW BLACK	52	AYF1001	1	CLEAN WATER FILTER ASSY
20	SBI6559	1	SOLENOID 3mm DRIFICE	53	AYH1814	1	CUT OUT BAR ASSEMBLY
21	D0209	1	AIR INTAKE BASE	54	D0035	1	BOTTOM TANK
22	SBI6630	1	SOLENOID 4mm DRIFICE	55	AYS1020	1	SPRAY GUARD ASSEMBLY
23	SBI6669	2	VAC MOTOR LEADS	56	D0084	2	SOLENOID TO TANK PLUG
24	D0184	1	DUMP HOSE CLIP CLEAN	57	D0085	2	SOLENOID PLUG GASKET
25	D0181	1	CABLE RESTRAINT	58	D0150A	2	MOTOR SEAL
26	M6x35PPB	1	M6x35 POZIPAN SCREW BLACK	59	SBI6649	2	1/4 TO 1/4 BSP NIPPLE
27	M6x16PPB	10	M6x16 POZIPAN SCREW BLACK	60	D0268	2	FILTER AND SOLENOID PLUG ADAPTOR
28	SBI6467	1	3 WAY TERMINAL BLOCK	61	D0304	1	MOTOR ENCLOSURE FOAM
29	D0246	1	TOP TANK COVER SEAL	62	D0305	2	MOTOR ENCLOSURE FOAM
30	M6x12PPSS	3	M6x12 POZIPAN SCREW ST ST	63	D0306	2	MOTOR ENCLOSURE FOAM
31	SBI6442	2	HOSE CLIP	64	D0172	1	VAC MOTOR EARTH GRILL
32	D0170	2	SPRAY GUARD BRACKET BUSH	65	D0427	2	FOAM RETAINING RING
33	M6NSS	4	M6 NUT STAINLESS STEEL				

WHEN ORDERING PLEASE QUOTE PART No. AND PART DESCRIPTION