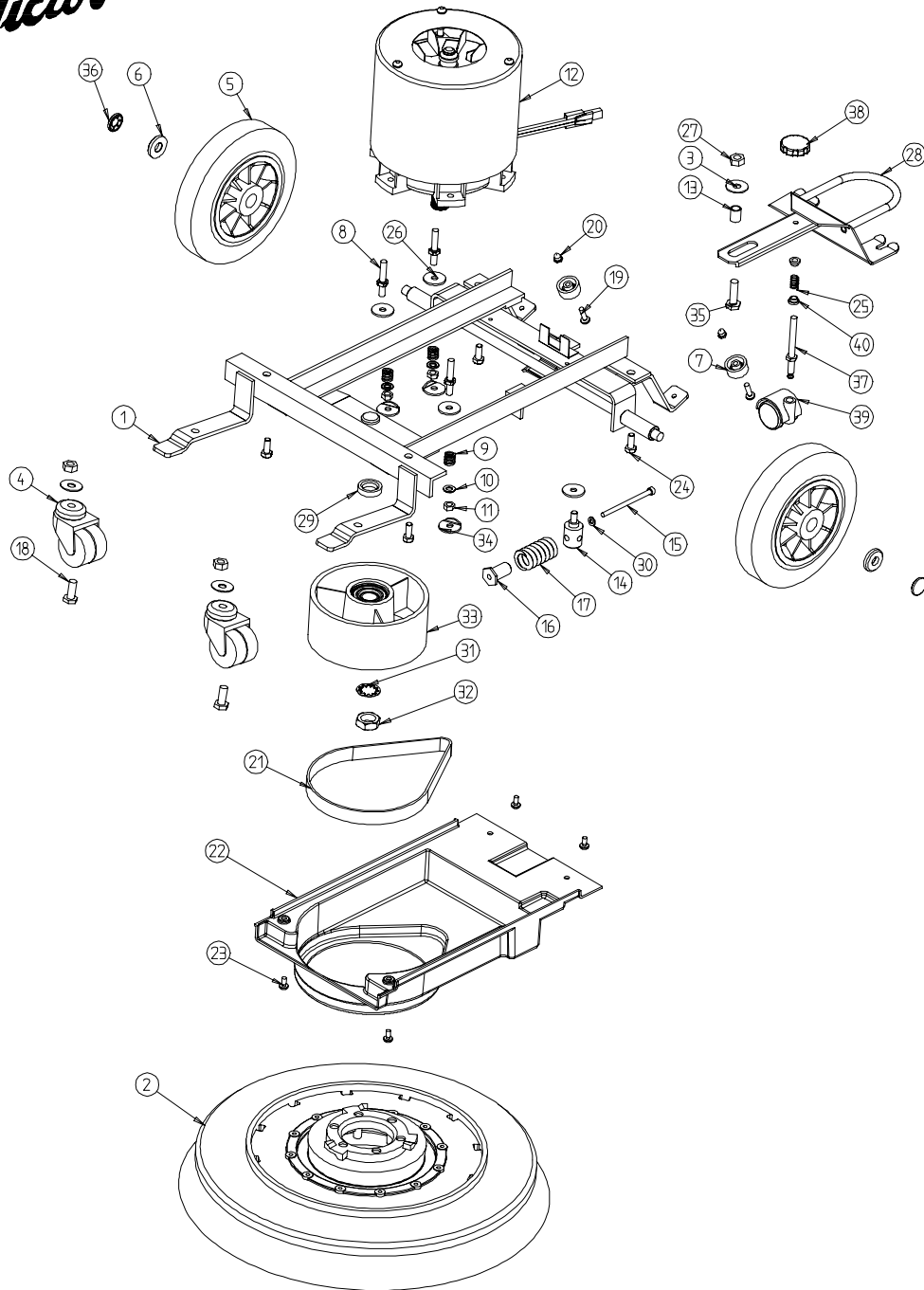


Victor



DOWDING & PLUMMER Ltd.

CALTHORPE HOUSE, STOCKFIELD ROAD,
BIRMINGHAM B27 6AP - ENGLAND

TEL: 0121-706-5771 FAX: 0121-708-1052

Item Number	Document Number	Quantity	Title	Item Number	Document Number	Quantity	Title
1	D0031	1	FRAME SUB ASSEMBLY	32	M20HN-SS	1	M20 STAINLESS STEEL HALF NUT
2	VB50350	1	DRIVE BOARD ASSEMBLY	33	AYP1037	1	160MM DRIVE PULLEY ASSEMBLY
3	M10W	3	WASHER	34	A2069	3	FOLDED WASHER
4	SBI6545	2	CASTOR	35	M10X35HHSS	1	M10X35 HEX HEAD BOLT ST ST
5	SBI6563	2	8" DIA WHEEL	36	SBI3005/A	2	STARLOCK END CAP
6	D0177	2	WHEEL RETAINING CAP	37	C1584	1	CASTOR WHEEL THREADED PIN
7	SBI3764	2	CAP	38	SBI6398	1	HAND KNOB
8	A2068	3	MOTOR STUD	39	SBI6401	1	CASTOR 40mm
9	A2132	3	SPRING	40	C1364	2	GUIDE BUSH SPRING
10	M8WSS	4	M8 WASHER STAINLESS STEEL				
11	M8NSB	3	M8 BINX NUT				
12	AYM2063	1	DRIVE MOTOR ASSEMBLY				
13	C1611	1	SPACER BUSH				
14	A2064	1	MOTOR PILLAR STUD				
15	A1864	1	M6X90 SOCKET CAP SCREW				
16	A1865	1	SPRING RETAINER				
17	A1850	1	SPRING 30X50				
18	M10X25HHSS	2	M10X25 HEX HEAD BOLT ST ST				
19	M6X20PPSS	2	M6X20 POZIPAN SCREW ST ST				
20	M6NDSS	2	M6 DOME NUT STAINLESS STEEL				
21	SBI3356	1	DRIVE BELT 220J8				
22	D0187	1	BELT COVER				
23	M6X12PPSS	4	M6X12 POZIPAN SCREW STAINLESS STEEL				
24	M8X20HSS	4	M8X20 CHASSIS FIXING BOLT				
25	SBI6423	1	COMPRESSION SPRING				
26	A1378	4	WASHER				
27	M10NSS	3	M10 NUT STAINLESS STEEL				
28	D0086	1	SQUEEGEE CONNECTING BAR ASSEMBLY				
29	A2062	1	SPACER RING				
30	M6W	1	M6 PLAIN WASHER				
31	M20WSH	1	M20 SHAKE PROOF WASHER				

WHEN ORDERING PLEASE QUOTE PART No. AND PART DESCRIPTION

SCRUBBER DRIER CHASSIS AND DRIVE ASSEMBLY