

**Victor**

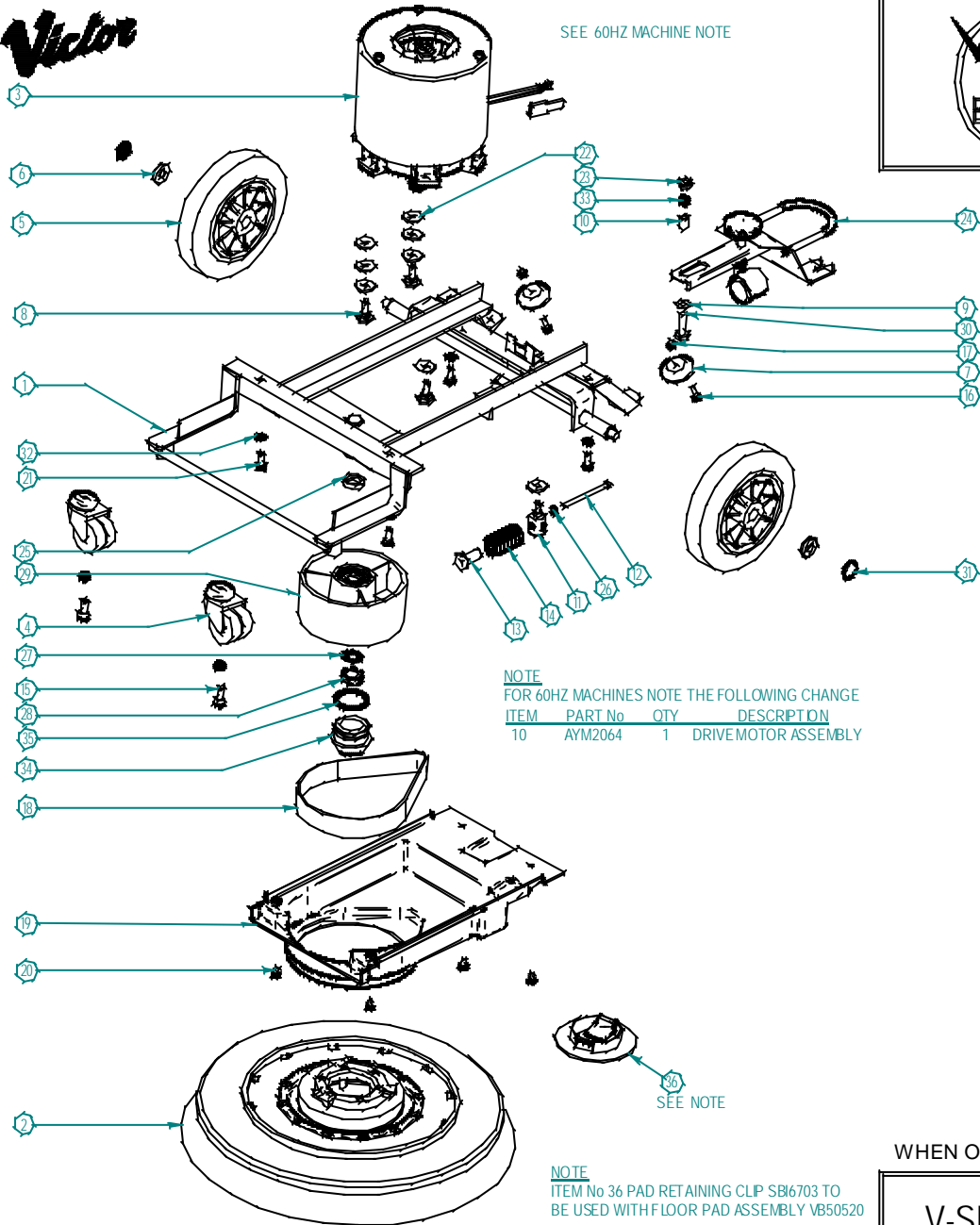
SEE 60HZ MACHINE NOTE



# DOWDING & PLUMMER Ltd.

CALTHORPE HOUSE, STOCKFIELD ROAD,  
BIRMINGHAM B27 6AP - ENGLAND

TEL: 0121-706-5771 FAX: 0121-708-1052



**NOTE**  
FOR 60HZ MACHINES NOTE THE FOLLOWING CHANGE

ITEM	PART No	QTY	DESCRIPTION
10	AYM2064	1	DRIVE MOTOR ASSEMBLY

**NOTE**  
ITEM No 36 PAD RETAINING CLIP SBI6703 TO  
BE USED WITH FLOOR PAD ASSEMBLY VB50520

Item Number	Document Number	Title	Quantity	Item Number	Document Number	Title	Quantity
1	D0031	SUB FRAME ASSEMBLY	1	33	M10WSPSS	M10 SPRING WASHER ST ST	3
2	VB50350	DRIVE BOARD ASSEMBLY	1	34	D0260	CATCH PLATE GUIDE	1
3	AYM2063	DRIVE MOTOR ASSEMBLY	1	35	SBI6697	'O' RING	1
4	SBI6545	CASTOR	2	36	SBI6703	PAD RETAINING CLIP	1
5	SBI6563	8" DIA WHEEL	2				
6	D0177	WHEEL RETAINING CAP	2				
7	D0774	TILT BACK FOOT	2				
8	D0402	MOTOR MOUNTING STUD	3				
9	M10WSS	M10 WASHER STAINLESS STEEL	1				
10	C1611	SPACER BUSH	1				
11	A2064	MOTOR PILLAR STUD	1				
12	A1864	M6X90 SOCKET CAP SCREW	1				
13	A1865	SPRING RETAINER	1				
14	A1850	SPRING 30X50	1				
15	M10X20SCSS	M10 x 20 SOCKET CAP SCREW STAINLESS STEEL	2				
16	M6X20PPSS	M6X20 POZIPAN SCREW ST ST	2				
17	M6NDSS	M6 DOME NUT STAINLESS STEEL	2				
18	SBI6711	DRIVE BELT 220J14	1				
19	D0187	BELT COVER	1				
20	M6X12PPSS	M6X12 POZIPAN SCREW ST ST	4				
21	M8X20HHSS	M8X20 HBX HD BOLT STAINLESS	4				
22	A1378	WASHER	8				
23	M10NSS	M10 NUT STAINLESS STEEL	1				
24	AYS3002	SQUEEGEE CONNECTING BAR ASSEMBLY	1				
25	A2062	SPACER RING	1				
26	M6W	M6 PLAIN WASHER	1				
27	M20WSH	M20 SHAKE PROOF WASHER	1				
28	M20HN-SS	M20 STAINLESS STEEL HALF NUT	1				
29	AYP1037	160MM DRIVE PULLEY ASSEMBLY	1				
30	M10X35HHSS	M10X35 HBX HEAD BOLT ST ST	1				
31	SBI3005/A	STARLOCK END CAP	2				
32	M8WSS	M8 WASHER STAINLESS STEEL	4				

WHEN ORDERING PLEASE QUOTE PART No. AND PART DESCRIPTION

V-SD40 CHASSIS AND DRIVE ASSEMBLY - 220/240V