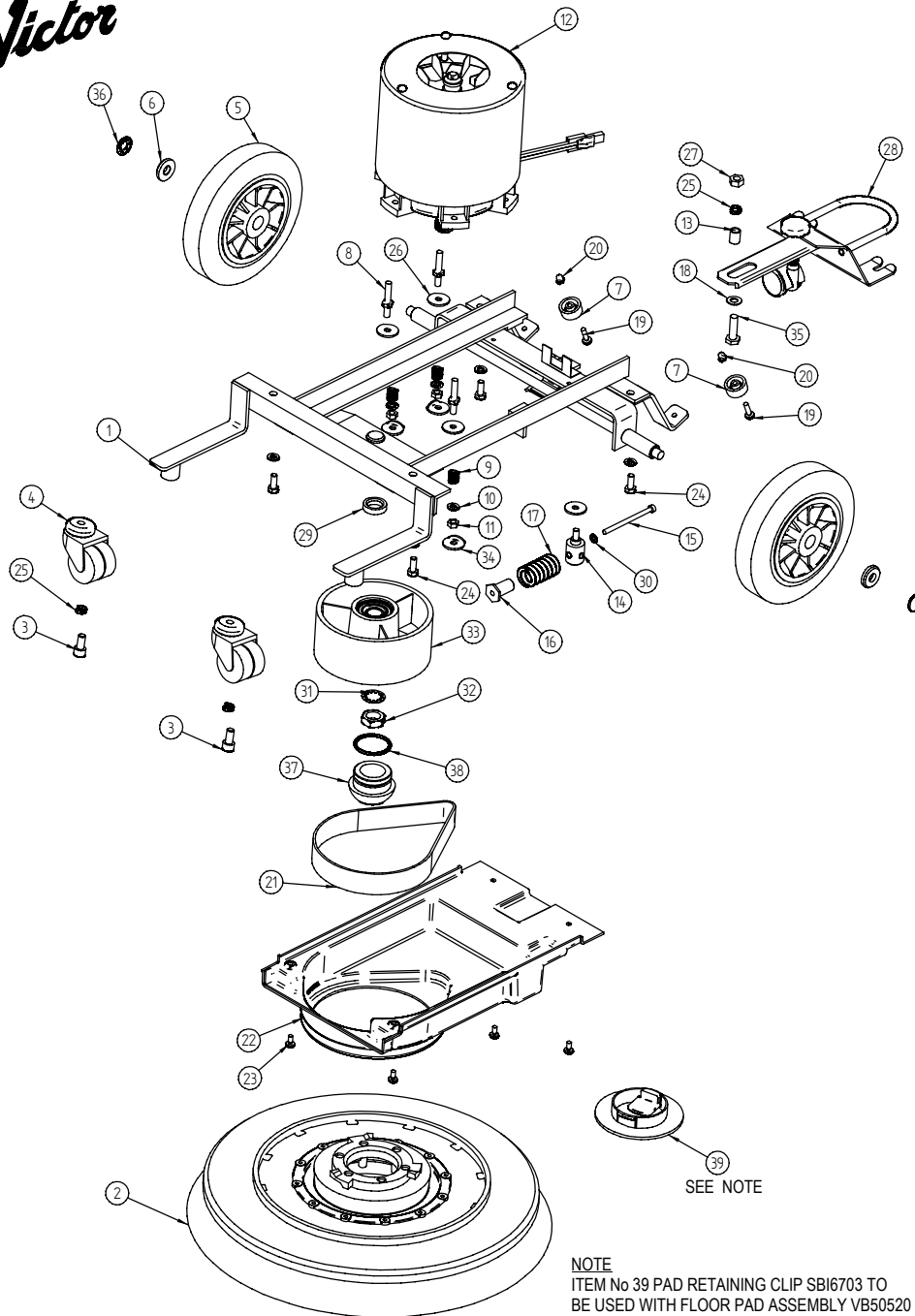


Victor



DOWDING & PLUMMER Ltd.

CALTHORPE HOUSE, STOCKFIELD ROAD,
BIRMINGHAM B27 6AP - ENGLAND
TEL: 0121-706-5771 FAX: 0121-708-1052



NOTE
ITEM No 39 PAD RETAINING CLIP SBI6703 TO
BE USED WITH FLOOR PAD ASSEMBLY VB50520

| Item Number | Document Number | Quantity | Title | Item Number | Document Number | Quantity | Title |
|-------------|-----------------|----------|---|-------------|-----------------|----------|------------------------------|
| 1 | D0031 | 1 | FRAME SUB ASSEMBLY | 31 | M20WSH | 1 | M20 SHAKE PROOF WASHER |
| 2 | VB50350 | 1 | DRIVE BOARD ASSEMBLY | 32 | M20NH-SS | 1 | M20 STAINLESS STEEL HALF NUT |
| 3 | M10X20SCSS | 2 | M10 x 20 SOCKET CAP SCREW STAINLESS STEEL | 33 | AYP1037 | 1 | 160MM DRIVE PULLEY ASSEMBLY |
| 4 | SBI6545 | 2 | CASTOR | 34 | A2069 | 3 | FOLDED WASHER |
| 5 | SBI6563 | 2 | 8" DIA WHEEL | 35 | M10X35HHSS | 1 | M10X35 HEX HEAD BOLT ST ST |
| 6 | D0177 | 2 | WHEEL RETAINING CAP | 36 | SBI3005/A | 2 | STARLOCK END CAP |
| 7 | SBI3764BL | 2 | CAP | 37 | D0260 | 1 | CATCH PLATE GUIDE |
| 8 | A2068 | 3 | MOTOR STUD | 38 | SBI6697 | 1 | 'O' RING |
| 9 | A2132 | 3 | SPRING | 39 | SBI6703 | 1 | PAD RETAINING CLIP |
| 10 | M8WSS | 8 | M8 WASHER STAINLESS STEEL | | | | |
| 11 | M8NSB | 3 | M8 BINX STIFF NUT | | | | |
| 12 | AYM2063 | 1 | DRIVE MOTOR ASSEMBLY | | | | |
| 13 | C1611 | 1 | SPACER BUSH | | | | |
| 14 | A2064 | 1 | MOTOR PILLAR STUD | | | | |
| 15 | A1864 | 1 | M6X90 SOCKET CAP SCREW | | | | |
| 16 | A1865 | 1 | SPRING RETAINER | | | | |
| 17 | A1850 | 1 | SPRING 30X50 | | | | |
| 18 | M10WSS | 1 | M10 WASHER STAINLESS STEEL | | | | |
| 19 | M6X20PPSS | 2 | M6X20 POZIPAN SCREW ST ST | | | | |
| 20 | M6NDSS | 2 | M6 DOME NUT STAINLESS STEEL | | | | |
| 21 | SBI6711 | 1 | DRIVE BELT 220J14 | | | | |
| 22 | D0187 | 1 | BELT COVER | | | | |
| 23 | M6X12PPSS | 4 | M6X12 POZIPAN SCREW STAINLESS STEEL | | | | |
| 24 | M8X20HHSS | 4 | M8X20 HEX HD BOLT STAINLESS | | | | |
| 25 | M10WSPSS | 3 | M10 SPRING WASHER STAINLESS STEEL | | | | |
| 26 | A1378 | 4 | WASHER | | | | |
| 27 | M10NSS | 1 | M10 NUT STAINLESS STEEL | | | | |
| 28 | AYS3002 | 1 | SQUEEGEE CONNECTING BAR ASSEMBLY | | | | |
| 29 | A2062 | 1 | SPACER RING | | | | |
| 30 | M6W | 1 | M6 PLAIN WASHER | | | | |

WHEN ORDERING PLEASE QUOTE PART No. AND PART DESCRIPTION

SCRUBBER DRIER CHASSIS AND DRIVE ASSEMBLY