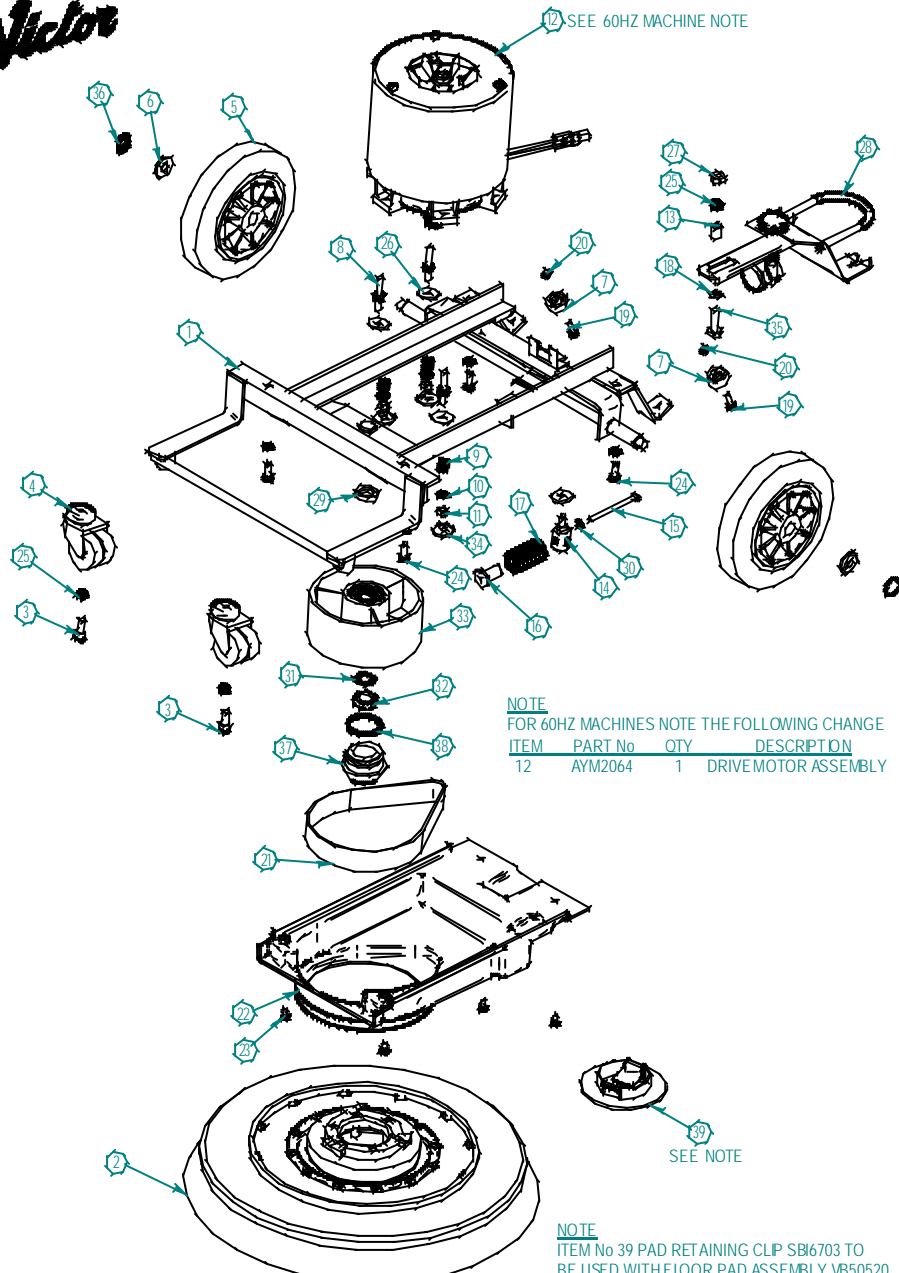


**Victor**



NOTE  
FOR 60HZ MACHINES NOTE THE FOLLOWING CHANGE

ITEM	PART No	QTY	DESCRIPTION
12	AYM2064	1	DRIVE MOTOR ASSEMBLY

NOTE  
ITEM No 39 PAD RETAINING CLIP SBI6703 TO  
BE USED WITH FLOOR PAD ASSEMBLY VB50520



# DOWDING & PLUMMER Ltd.

CALTHORPE HOUSE, STOCKFIELD ROAD,  
BIRMINGHAM B27 6AP - ENGLAND  
TEL: 0121-706-5771 FAX: 0121-708-1052

Item Number	Document Number	Quantity	Title	Item Number	Document Number	Quantity	Title
1	D0031	1	FRAME SUB ASSEMBLY	31	M20WSH	1	M20 SHAKE PROOF WASHER
2	VB50350	1	DRIVE BOARD ASSEMBLY	32	M20NH-SS	1	M20 STAINLESS STEEL HALF NUT
3	M10X20SCSS	2	M10 x 20 SOCKET CAP SCREW STAINLESS STEEL	33	AYP1037	1	160MM DRIVE PULLEY ASSEMBLY
4	SBI6545	2	CASTOR	34	A2069	3	FOLDED WASHER
5	SBI6563	2	8" DIA WHEEL	35	M10X35HHSS	1	M10X35 HEX HEAD BOLT ST ST
6	D0177	2	WHEEL RETAINING CAP	36	SBI3005/A	2	STARLOCK END CAP
7	SBI3764BL	2	CAP	37	D0260	1	CATCH PLATE GUIDE
8	A2068	3	MOTOR STUD	38	SBI6697	1	'O' RING
9	A2132	3	SPRING	39	SBI6703	1	PAD RETAINING CLIP
10	M8WSS	8	M8 WASHER STAINLESS STEEL				
11	M8NSB	3	M8 BINX STIFF NUT				
12	AYM2063	1	DRIVE MOTOR ASSEMBLY				
13	C1611	1	SPACER BUSH				
14	A2064	1	MOTOR PILLAR STUD				
15	A1864	1	M6X90 SOCKET CAP SCREW				
16	A1865	1	SPRING RETAINER				
17	A1850	1	SPRING 30X50				
18	M10WSS	1	M10 WASHER STAINLESS STEEL				
19	M6X20PPSS	2	M6X20 POZIPAN SCREW ST ST				
20	M6NDSS	2	M6 DOME NUT STAINLESS STEEL				
21	SBI6711	1	DRIVE BELT 220J14				
22	D0187	1	BELT COVER				
23	M6X12PPSS	4	M6X12 POZIPAN SCREW STAINLESS STEEL				
24	M8X20HHSS	4	M8X20 HEX HD BOLT STAINLESS				
25	M10WSPSS	3	M10 SPRING WASHER STAINLESS STEEL				
26	A1378	4	WASHER				
27	M10NSS	1	M10 NUT STAINLESS STEEL				
28	AYS3002	1	SQUEEGEE CONNECTING BAR ASSEMBLY				
29	A2062	1	SPACER RING				
30	M6W	1	M6 PLAIN WASHER				

WHEN ORDERING PLEASE QUOTE PART No. AND PART DESCRIPTION

## V-SD40 CHASSIS AND DRIVE ASSEMBLY - 220/240V