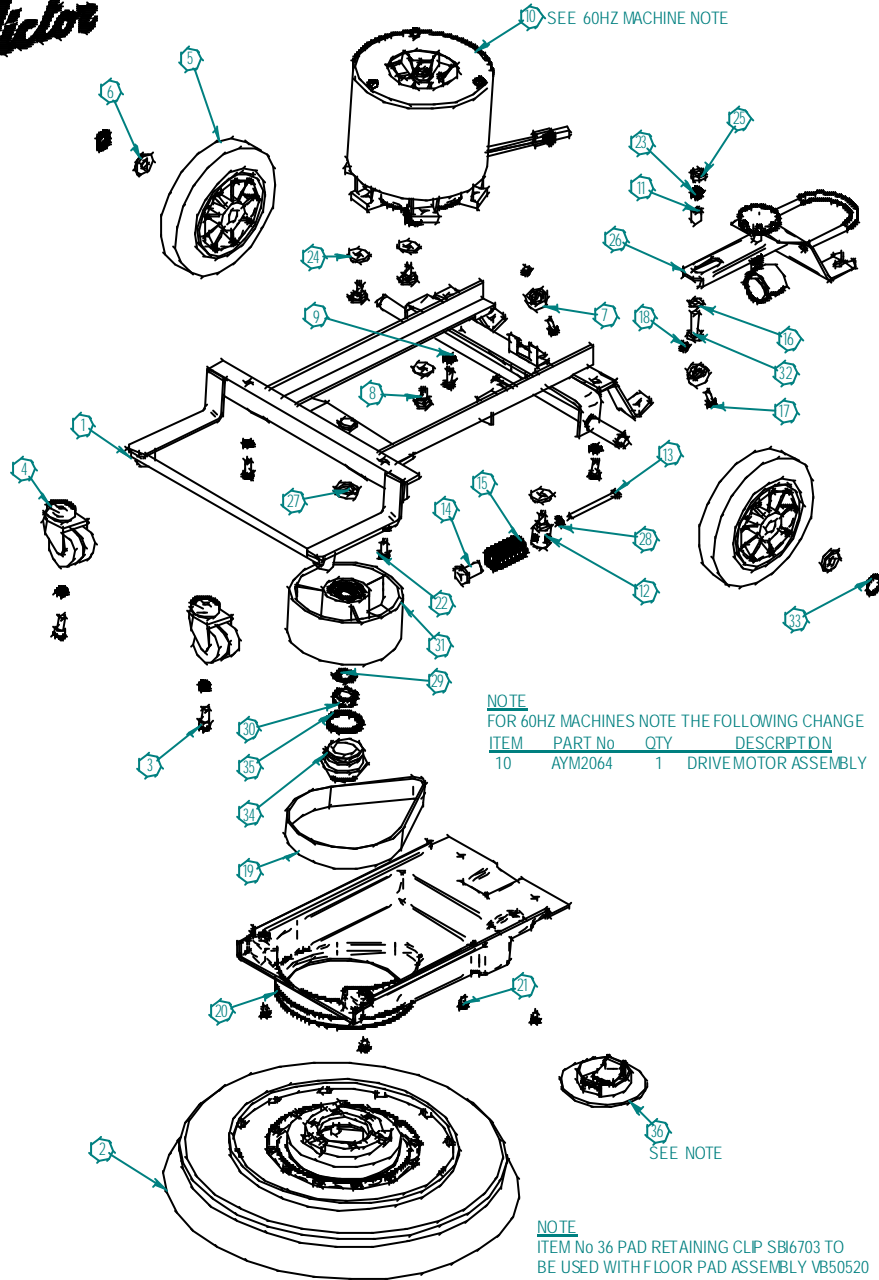


**Victor**



# DOWDING & PLUMMER Ltd.

CALTHORPE HOUSE, STOCKFIELD ROAD,  
BIRMINGHAM B27 6AP - ENGLAND

TEL: 0121-706-5771 FAX: 0121-708-1052

Item Number	Document Number	Quantity	Title	Item Number	Document Number	Quantity	Title
1	D0031	1	FRAME SUB ASSEMBLY	32	M10X35HHSS	1	M10X35 HEX HEAD BOLT ST ST
2	VB50350	1	DRIVE BOARD ASSEMBLY	33	SBI3005/A	2	STARLOCK END CAP
3	M10X20SCSS	2	M10 x 20 SOCKET CAP SCREW STAINLESS STEEL	34	D0260	1	CATCHPLATE GUIDE
4	SBI6545	2	CASTOR	35	SBI6697	1	'O' RING
5	SBI6563	2	8" DIA WHEEL	36	SBI6703	1	PAD RETAINING CLIP
6	D0177	2	WHEEL RETAINING CAP				
7	SBI3764BL	2	CAP				
8	D0402	3	MOTOR MOUNTING STUD				
9	M8WSS	4	M8 WASHER STAINLESS STEEL				
10	AYM2063	1	DRIVE MOTOR ASSEMBLY				
11	C1611	1	SPACER BUSH				
12	A2064	1	MOTOR PILLAR STUD				
13	A1864	1	M6X90 SOCKET CAP SCREW				
14	A1865	1	SPRING RETAINER				
15	A1850	1	SPRING 30X50				
16	M10WSS	1	M10 WASHER STAINLESS STEEL				
17	M6X20PPSS	2	M6X20 POZIPAN SCREW ST ST				
18	M6NDSS	2	M6 DOME NUT STAINLESS STEEL				
19	SBI6711	1	DRIVE BELT 220J14				
20	D0187	1	BELT COVER				
21	M6X12PPSS	4	M6X12 POZIPAN SCREW ST ST				
22	M8X20HHSS	4	M8X20 HEX HD BOLT STAINLESS				
23	M10WSPSS	3	M10 SPRING WASHER ST ST				
24	A1378	4	WASHER				
25	M10NSS	1	M10 NUT STAINLESS STEEL				
26	AYS3002	1	SQUEEGEE CONNECTING BAR ASSEMBLY				
27	A2062	1	SPACER RING				
28	M6W	1	M6 PLAIN WASHER				
29	M20WSH	1	M20 SHAKE PROOF WASHER				
30	M20HN-SS	1	M20 STAINLESS STEEL HALF NUT				
31	AYP1037	1	160MM DRIVE PULLEY ASSEMBLY				

WHEN ORDERING PLEASE QUOTE PART No. AND PART DESCRIPTION

V-SD40 CHASSIS AND DRIVE ASSEMBLY - 220/240V