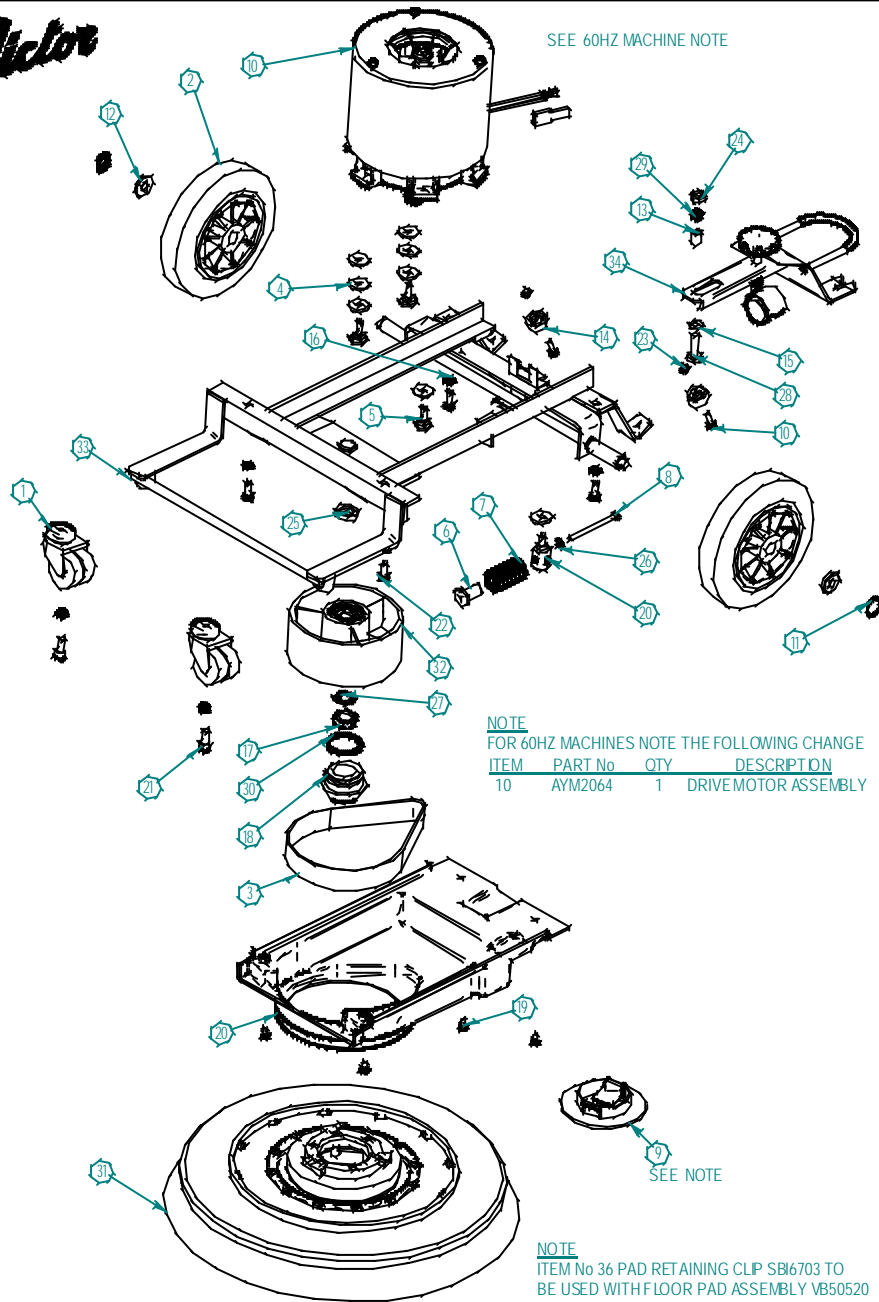


Victor



SEE 60HZ MACHINE NOTE

NOTE
FOR 60HZ MACHINES NOTE THE FOLLOWING CHANGE
ITEM PART No QTY DESCRIPTION
10 AYM2064 1 DRIVE MOTOR ASSEMBLY

SEE NOTE

NOTE
ITEM No 36 PAD RETAINING CLIP SBI6703 TO
BE USED WITH FLOOR PAD ASSEMBLY VB50520



DOWDING & PLUMMER Ltd.

CALTHORPE HOUSE, STOCKFIELD ROAD,
BIRMINGHAM B27 6AP - ENGLAND

TEL: 0121-706-5771 FAX: 0121-708-1052

Item Number	Document Number	Quantity	Title	Item Number	Document Number	Quantity	Title
1	SBI6545	2	CASTOR	33	D0031	1	FRAME SUB ASSEMBLY
2	SBI6563	2	8" DIA WHEEL	34	AYS3002	1	SCREEGEE CONNECTING BAR ASSEMBLY
3	SBI6711	1	DRIVE BELT 220J14	35	AYM2063	1	DRIVE MOTOR ASSEMBLY
4	A1378	8	WASHER	36	D0187	1	BELT COVER
5	D0402	3	MOTOR MOUNTING STUD				
6	A1865	1	SPRING RETAINER				
7	A1850	1	SPRING 30X50				
8	A1864	1	M6X90 SOCKET CAP SCREW				
9	SBI6703	1	PAD RETAINING CLIP				
10	M6X20PPSS	2	M6X20 POZIPAN SCREW ST ST				
11	SBI3005/A	2	STARLOCK END CAP				
12	D0177	2	WHEEL RETAINING CAP				
13	C1611	1	SPACER BUSH				
14	SBI3764BL	2	CAP				
15	M10WSS	1	M10 WASHER STAINLESS STEEL				
16	M8WSS	4	M8 WASHER STAINLESS STEEL				
17	M20HN-SS	1	M20 STAINLESS STEEL HALF NUT				
18	D0260	1	CATCH PLATE GUIDE				
19	M6X12PPSS	4	M6X12 POZIPAN SCREW ST ST				
20	A2064	1	MOTOR PILLAR STUD				
21	M10X20SCSS	2	M10 x 20 SOCKET CAP SCREW STAINLESS STEEL				
22	M8X20HHSS	4	M8X20 HEX HD BOLT STAINLESS				
23	M6NDSS	2	M6 DOME NUT STAINLESS STEEL				
24	M10NSS	1	M10 NUT STAINLESS STEEL				
25	A2062	1	SPACER RING				
26	M6W	1	M6 PLAIN WASHER				
27	M20WSH	1	M20 SHAKE PROOF WASHER				
28	M10X35HHSS	1	M10X35 HEX HEAD BOLT ST ST				
29	M10WSPSS	3	M10 SPRING WASHER ST ST				
30	SBI6697	1	'O' RING				
31	VB50350	1	DRIVE BOARD ASSEMBLY				
32	AYP1037	1	160MM DRIVE PULLEY ASSEMBLY				

WHEN ORDERING PLEASE QUOTE PART No. AND PART DESCRIPTION

V-SD40 CHASSIS AND DRIVE ASSEMBLY - 220/240V