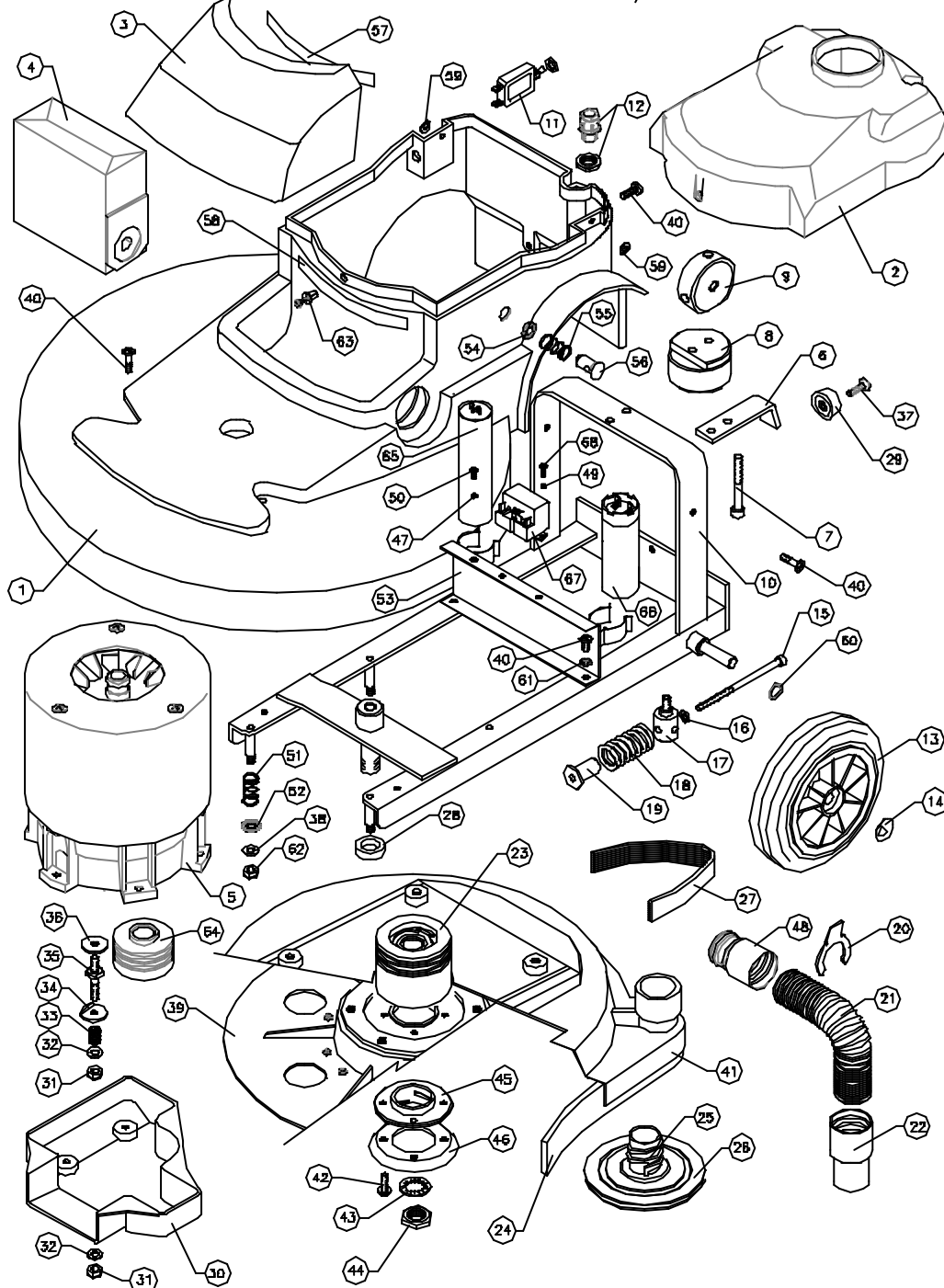


VA571 - LYNX 17" BURNISHER 240/220V RANGE



VA571 - LYNX 17" BURNISHER 240/220V RANGE

| ITEM | PART No. | QTY. | DESCRIPTION | ITEM | PART No. | QTY. | DESCRIPTION |
|------|------------|------|---------------------------------------|------|----------|------|--------------------------|
| 1 | C18B1 | 1 | BODY MOLDING | 59 | M6W | 2 | M6 x 14 D/D PLAIN WASHER |
| 2 | C1726 | 1 | TOP MOTOR COVER | 60 | SB13666 | 2 | WAVEY WASHER - PLW4 |
| 3 | C1397 | 1 | FRONT DUST BAG COVER | 61 | M6WSH | 2 | M6 SHAKERPROOF WASHER |
| 4 | C1456 | 1 | DUST BAG | 62 | M6NSB | 4 | M6 NUT - BINX |
| 5 | SEE TABLE | 1 | MOTOR ASSY. | 63 | SB18030 | 1 | SCRIVET |
| 6 | C1721 | 1 | BACK BRACKET | 64 | C1724 | 1 | MOTOR PULLEY #65 JB |
| 7 | M6X7D5C | 2 | SOCKET SCREW M6x70mm | 65 | SB18056 | 1 | 30MFD RUN CAPACITOR |
| 8 | C1401 | 1 | MOUNTING BLOCK | 66 | SB15228 | 1 | 125MFD START CAPACITOR |
| 9 | C1399 | 1 | SELECTOR PIVOT | 67 | SB13958 | 1 | 2CR4-258 START RELAY |
| 10 | C1787/A | 1 | WELDED FRAME | 68 | M3X18SP | 2 | M3X18 POZIPAN HEAD SCREW |
| 11 | SB15500 | 1 | CIRCUIT BREAKER 12AMP. | | | | |
| 12 | SB15633 | 1 | CABLE GLAND M18 | | | | |
| 13 | SB16101/NT | 2 | WHEEL #200 REINFORCED-BLACK | | | | |
| 14 | SB13005/A | 2 | SPRING CAP 1/2" | | | | |
| 15 | M6X12D5C | 1 | SOCKET CAP SCREW M6 x 125mm | | | | |
| 16 | I1-4X3-4W | 1 | 1/4" I/D x 3/4" O/D WASHER | | | | |
| 17 | A2064 | 1 | MOTOR PILLAR STUD | | | | |
| 18 | A1850 | 1 | SPRING #30 x 50 | | | | |
| 19 | A1865 | 1 | SPRING RETAINER | | | | |
| 20 | C1391 | 1 | HOSE CLIP | | | | |
| 21 | SB16136/F | 1 | STRETCH HOSE | | | | |
| 22 | SB15668 | 1 | HOSE END 32mm - BLACK | | | | |
| 23 | AYP1036 | 1 | 480mm x 75mm DRIVE PULLEY ASSY | | | | |
| 24 | C4004/C | 1 | DIFFUSER FLOOR SEAL | | | | |
| 25 | B1163 | 1 | PAD RETAINER | | | | |
| 26 | A1842 | 1 | POLYETHYLENE WASHER | | | | |
| 27 | SB15816 | 1 | DRIVE BELT 350 JB | | | | |
| 28 | A2062 | 1 | PULLEY SPACER | | | | |
| 29 | SB13764/BL | 1 | HANDLE END CAP - BLACK | | | | |
| 30 | C1396 | 1 | DRIVE BELT GUARD | | | | |
| 31 | M6NSB | 6 | M6 NUT - BINX | | | | |
| 32 | M6W | 7 | M6 PLAIN WASHER | | | | |
| 33 | A2132 | 3 | SPRING #14 x 15 | | | | |
| 34 | A2069 | 3 | FOLDED WASHER | | | | |
| 35 | A2068 | 3 | MOTOR STUD | | | | |
| 36 | A1378 | 4 | PLAIN WASHER #30x#8x2.5 | | | | |
| 37 | M6X20CSK | 1 | M6 x 20 SCREW - POZIDRIVE C'SUNK HEAD | | | | |
| 38 | M6W | 4 | M6 PLAIN WASHER | | | | |
| 39 | AYD1018 | 1 | 17" DRIVE PLATE ASSY | | | | |
| 40 | M6X10SP | 7 | M6 x 10 SCREW - POZIPAN | | | | |
| 41 | C1886 | 1 | SKIRT ASSEMBLY | | | | |
| 42 | M6X20PPTT | 4 | M6 x 20 SCREW - TAFTITE | | | | |
| 43 | M20WSP | 1 | M20 SPRING WASHER | | | | |
| 44 | M20NH | 1 | M20 HALF NUT | | | | |
| 45 | B1164 | 1 | RETAINER NUT | | | | |
| 46 | A1882 | 1 | REINFORCING RING | | | | |
| 47 | M4WB | 1 | M4 PLAIN WASHER BRASS | | | | |
| 48 | B1367/BL | 1 | SWIVEL END INNER - BLACK | | | | |
| 49 | M3WSP | 2 | M3 SPRING WASHER | | | | |
| 50 | M4X10SPB | 1 | M4X10 POZIPAN HEAD SCREW BRASS | | | | |
| 51 | A1820 | 4 | SPRING #17 x 25 | | | | |
| 52 | M12W | 4 | M12 PLAIN WASHER | | | | |
| 53 | C1703 | 1 | CAPACITOR MOUNTING BRACKET | | | | |
| 54 | A1944 | 1 | FIXING WASHER - #10mm | | | | |
| 55 | A1820 | 1 | SPRING #17 x 25 | | | | |
| 56 | A1945 | 1 | ANCHOR PIN (15mm) PLASTIC | | | | |
| 57 | SB16328 | 1 | HOOK STRIP | | | | |
| 58 | SB16327 | 1 | LOOP STRIP | | | | |

| MODEL | DESCRIPTION | HANDLE ASSY | MOTOR ASSY |
|-------------|---------------------|-------------|------------|
| VA571 | 240V/50HZ/1150W | AYH1293 | AYM2185 |
| VA571Q21A | 220V/50HZ/1150W | AYH1293 | AYM2185 |
| VA571Q22A | 220V/50HZ/1150W VDE | AYH1294 | AYM2185 |
| VA571FULTON | 220V/50HZ/1150W | AYH1293 | AYM2185 |

WHEN ORDERING PLEASE QUOTE PART No. AND PART DESCRIPTION