

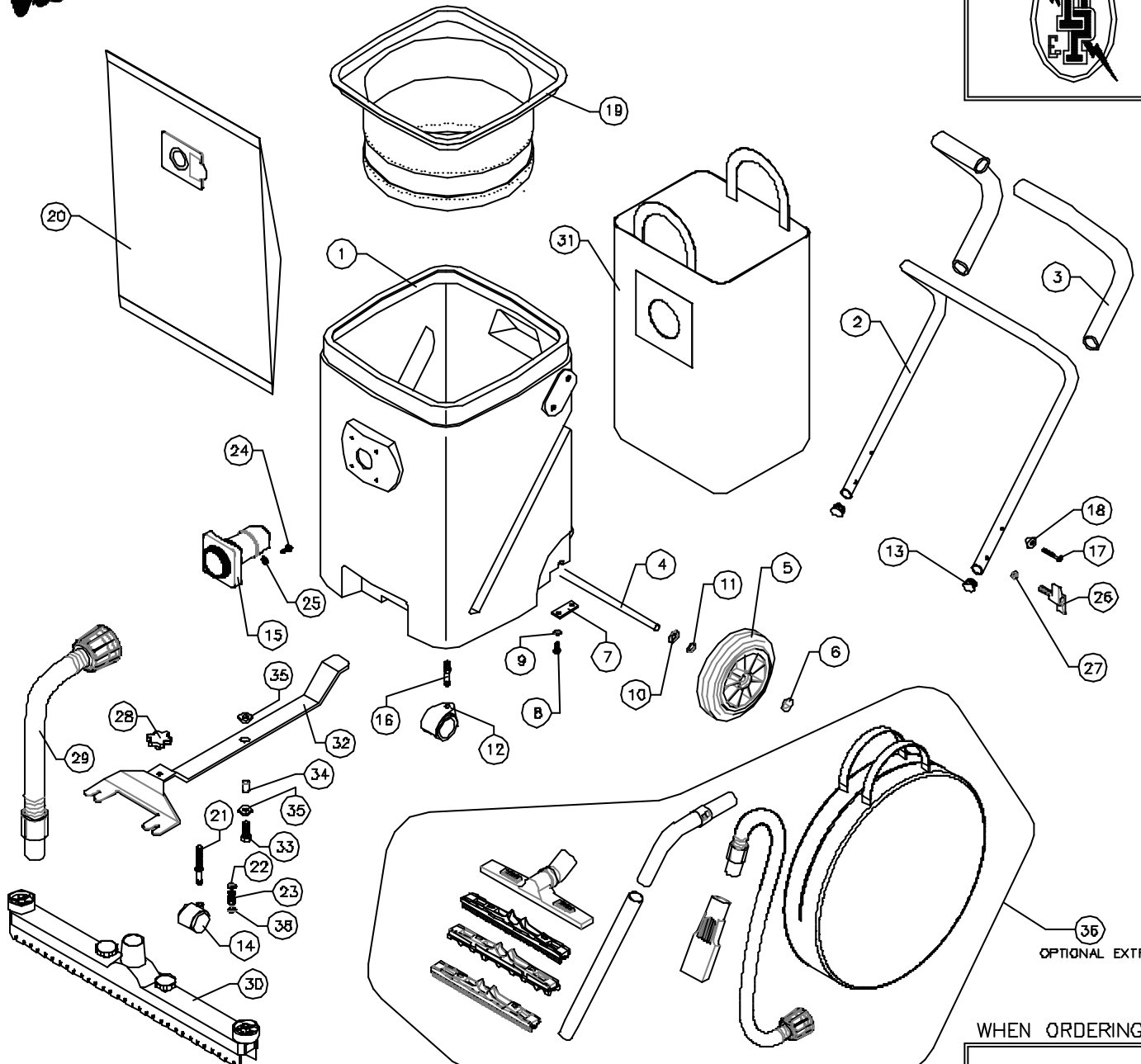
Victor



DOWDING & PLUMMER Ltd.

CALTHORPE HOUSE, STOCKFIELD ROAD,
BIRMINGHAM B27 6AP - ENGLAND

TEL: 0121-706-5771 FAX: 0121-708-1052



ITEM	PART No.	QTY.	DESCRIPTION
1	C1251/BLK	1	MAIN TANK 35L
2	C1606	1	HANDLE
3	C1607	2	HANDLE FOAMGRIP
4	A1879/PLTD	1	WHEEL AXLE PLATED
5	C1587	2	Ø175mm REINFORCED WHEEL
6	SB13005/A	2	12mm STARLOCK CAP
7	C1561	2	WHEEL AXLE LOCATION PLATE
8	M6X16PP	4	M6 x 16 PDZIPAN SCREW
9	M6WSH	4	M6 SHAKEPROOF WASHER
10	M12W	2	M12 PLAIN WASHER
11	SB13666	2	WAVEY WASHER - PLW4
12	SB16400	2	Ø50 TWIN RUBBER WHEEL CASTOR
13	SB16395	2	Ø22 TUBE END PLUG
14	SB16401	1	Ø40 TWIN PLASTIC WHEEL CASTOR
15	DO4B1	1	INTAKE RADIUS ASSEMBLY
16	SB16399	2	CASTOR STUD
17	M6X40PPB	2	M6 x 40 PDZIPAN SCREW BLACK
18	SB16433	2	SADDLE WASHER
19	C4022	1	HEPA FILTER ASSEMBLY
20	SB16528	1	PAPER FILTER DUST BAG
21	C1584	1	CASTOR WHEEL THREADED PIN
22	C1364	2	M8 x 4 SPACER
23	SB16423	1	COMPRESSION SPRING
24	M4X20SP	4	M4 x 20 SPAX
25	M4W	4	M4 PLAIN WASHER
26	SB16473	2	M8 HANDLE ADJUSTMENT KNOB
27	M8NUT	2	M8 NYLOC NUT
28	SB16398	1	M8 HAND KNOB
29	AYH2031	1	HOSE ASSEMBLY
30	C4064	1	DRY SQUEEGEE ASSEMBLY
31	DD513	1	DUST BAG SUPPORT
32	C1583	1	SQUEEGEE FOOTPEDAL ASSEMBLY
33	M10X35BH	1	M10 x 35 HEX HEAD SCREW
34	C1611	1	FOOTPEDAL SPACER BUSH
35	M10X30W	2	M10 x 30 O/D WASHER
36	C4068	1	FLOOR AND CREVICE TOOL KIT

36
OPTIONAL EXTRA

WHEN ORDERING PLEASE QUOTE PART No. AND PART DESCRIPTION

WOODY - TANK ASSEMBLY WITH SQUEEGEE