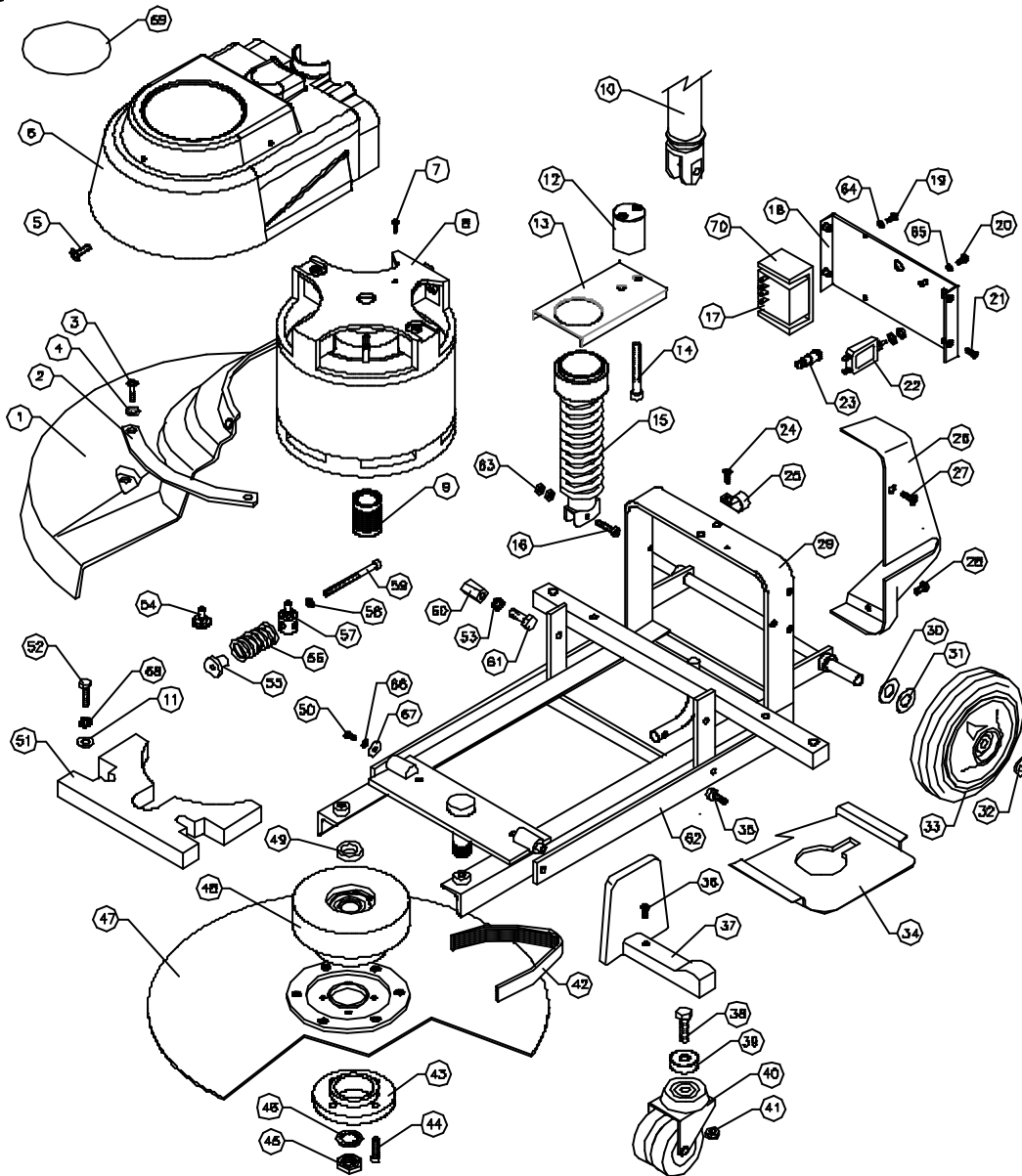


**Victor**



**DOWDING & PLUMMER Ltd.**

CALTHORPE HOUSE, STOCKFIELD ROAD,  
BIRMINGHAM B27 6AP - ENGLAND

TEL: 0121-706-5771 FAX: 0121-708-1052

ITEM	PART No.	QTY.	DESCRIPTION	ITEM	PART No.	QTY.	DESCRIPTION
1	D0391	1	BODY MOUNTING	63	M6N	2	M6 PLAIN NUT
2	C4025	1	LIFTING HANDLE	64	M4WSP	2	M4 SPRNG WASHER
3	M8X20BPP	2	M8X20 POZI PANHEAD SCREW	65	M4WB	2	M4 BRASS WASHER
4	M8WSP	1	M8 SPRING WASHER	66	M5WSP	2	M5 SPRING WASHER
5	SB10815	1	M8X16 NYLON SCREW BLACK	67	M5W	2	M5 PLAIN WASHER
6	D0880	1	MOTOR COVER ASSEMBLY	68	M8WSP	2	M8 SPRING WASHER
7	M4X85C	1	M4X8 TRILOBE POZI HEAD SCREW	69	SB15849	1	VICTOR FRANCE LABEL
8	D0889	1	MOTOR ASSY 230V PM	70	D0317	1	HEAT SINK SLOW START
9	C4043	1	MOTOR PULLEY 31.5mm				
10	AH11815	1	HANDLE ASSEMBLY				
11	M8N	2	M8 PLAIN WASHER				
12	C4031	1	OUNTING BLOCK				
13	D0371	1	SPRING PLATE				
14	M8X80SC	2	M8X80 SOCKET CAP SCREW				
15	C4003	1	SPRING ASSEMBLY				
16	M8X30SC	1	M8X30 SOCKET CAP SCREW				
17	C4023	1	VICTOR SQFT START UNIT				
18	D0383	1	SWITCH PLATE ASSEMBLY				
19	M4X10SP	2	M4X10 POZI PANHEAD SCREW				
20	M4X10SPB	2	M4X10 BRASS POZI PANHEAD SCREW				
21	M4X16CSK	4	M4X16 POZI COUNTERSUNK				
22	SB1048B	1	10 AMP CIRCUIT BREAKER				
23	SB16767	1	NEON INDICATOR LIGHT				
24	M4X10SP	1	M4X10 POZI PANHEAD SCREW				
25	SB16911	1	'P' CLIP				
26	D0681	1	REAR COVER				
27	M6X12BPP	2	M6X12 POZI PANHEAD SCREW BLACK				
28	M5X10PP	2	M5X10 POZI PANHEAD SCREW				
29	C4028	1	MAIN FRAME				
30	M12W	2	M12 PLAIN WASHER				
31	SB13866	2	WAVED WASHER				
32	SB13005/A	2	STARLOCK CAP				
33	SB16742	2	WHEEL 150mm BLACK				
34	D0883	1	UNDERSIDE COVER				
35	M8X10CHS	2	M8X10 NYLON CHEESEHEAD SCREW				
36	M5X12PPB	2	M5X12 POZI PANHEAD SCREW BLACK				
37	D0882	2	CASTOR FRAME COVER				
38	M10X55HB	2	M10X55 HEX HEAD BOLT				
39	C4038	2	CASTOR SPADER				
40	SB16132	2	DOUBLE WHEELED CASTOR				
41	M10NSB	2	M10 BINK STIFF NUT				
42	SB16164	1	24010 DRIVE BELT				
43	D0368	1	DRIVE PLATE RETAINER				
44	M8X40SC	4	M8X40 SOCKET CAP SCREW				
45	M2DNH	1	M2D HALF NUT				
46	M20WSH	1	M20 SHAKEPROOF WASHER				
47	D0877	1	DRIVE PLATE ASSEMBLY				
48	C4005	1	DRIVE PLATE PULLEY ASSY				
49	A2082	1	PULLEY PACKING WASHER				
50	M3X10SP	2	M3X10 POZI PANHEAD SCREW				
51	D0294	1	WEIGHT				
52	M8X35BH	2	M8X35 HEX HEAD BOLT				
53	M8WSP	2	M8 SPRING WASHER				
54	D0402	3	MOTOR WASHER				
55	A1866	1	SPRING RETAINER				
56	A1860	1	SPRING RETAINER				
57	D0483	1	MOTOR FILLER STUD				
58	M6W	1	M6 PLAIN WASHER				
59	M8X90SC	1	M8X90 SOCKET CAP SCREW				
60	A2041	2	OVERTRAVEL STOP				
61	M8X20BH	2	M8X20 HEX HEAD BOLT				
62	C4027	1	CASTOR FRAME				

WHEN ORDERING PLEASE QUOTE PART No. AND PART DESCRIPTION