

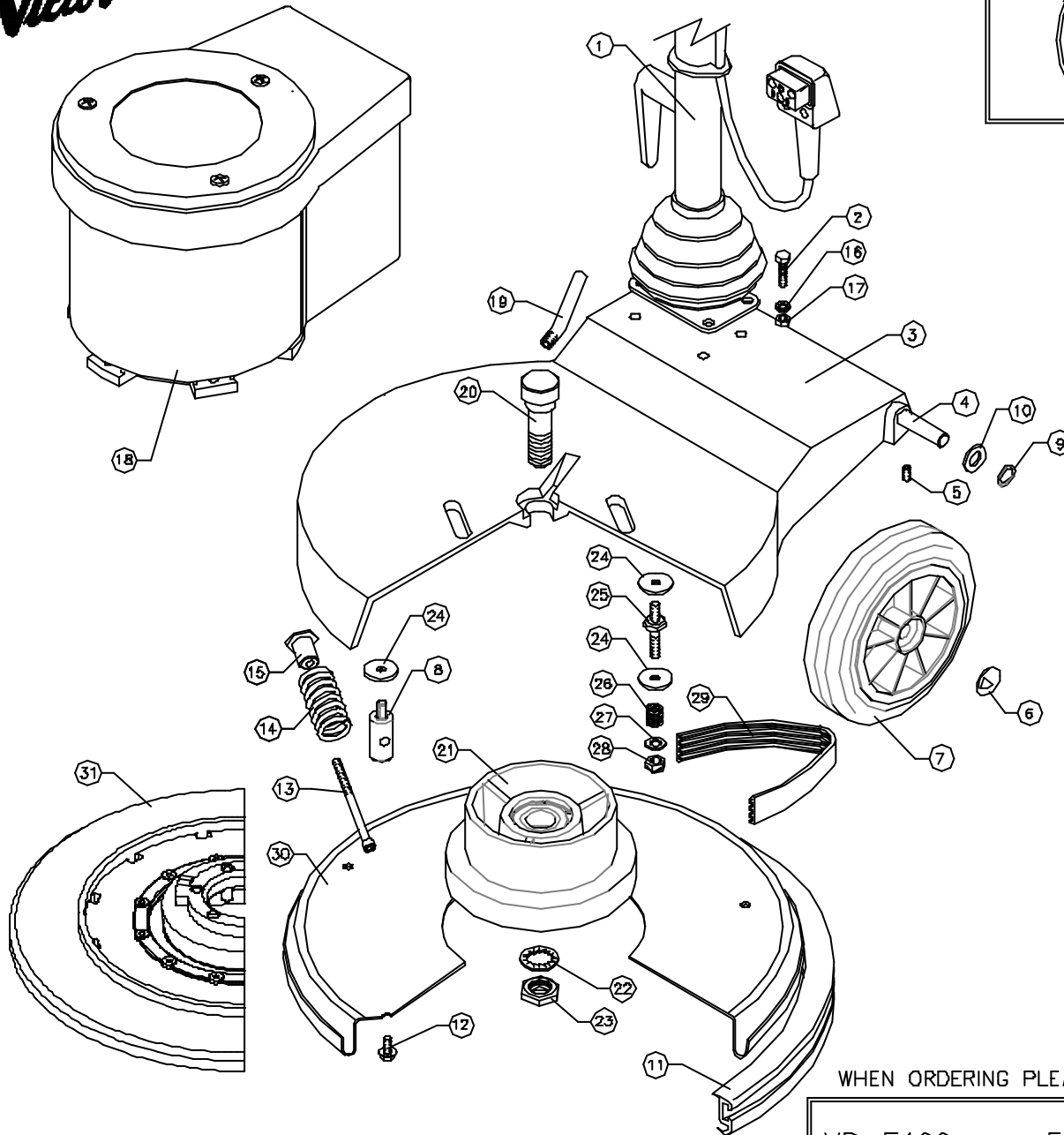
**Victor**



**DOWDING & PLUMMER Ltd.**

CALTHORPE HOUSE, STOCKFIELD ROAD,  
BIRMINGHAM B27 6AP - ENGLAND

TEL: 0121-706-5771 FAX: 0121-708-1052



| ITEM | PART No.   | QTY. | DESCRIPTION                      |
|------|------------|------|----------------------------------|
| 1    | AYH1800    | 1    | HANDLE ASSY.                     |
| 2    | M8X30BH    | 4    | M8 x 30HEX HEAD SCREW            |
| 3    | A1334/A/GH | 1    | EUROPA 400 BASE MK2 GREY         |
| 4    | A1B7B/PLTD | 1    | WHEEL AXLE ELIR MK2 PLATED 380mm |
| 5    | M6X8SC     | 1    | M6 x 8 SOCKET GRUB SCREW         |
| 6    | SBI3005/A  | 2    | 12mm STARLOCK CAP                |
| 7    | SBI8100/NT | 2    | 7" WHEEL - BLACK                 |
| 8    | A1766      | 1    | MOTOR PILLAR STUD                |
| 9    | SBI3666    | 2    | WAVEY WASHER - PLW4              |
| 10   | M12W       | 2    | 12mm PLAIN WASHER                |
| 11   | A1753/A/BL | 1    | 1270mm Q/R BUFFER RING - BLACK   |
| 12   | M6X12TT    | 5    | M6 x 12 TAPTITE SCREW            |
| 13   | A1864      | 1    | BELT TENSIONING SCREW - M6x90    |
| 14   | A1850      | 1    | SPRING                           |
| 15   | A1865      | 1    | SPRING RETAINER                  |
| 16   | M8WSP      | 4    | M8 SPRING WASHER                 |
| 17   | M8N        | 4    | M8 NUT                           |
| 18   | AYM2037    | 1    | MOTOR ASSY.                      |
| 19   | A1462/PLTD | 1    | WATER FEED PIPE - 10mm PLATED    |
| 20   | A1450/PLTD | 1    | PULLEY BOLT PLATED               |
| 21   | AYP1010    | 1    | Ø125mm OUTPUT PULLEY ASSEMBLY    |
| 22   | M20WSH     | 1    | M20 SHAKEPROOF WASHER            |
| 23   | M20N       | 1    | M20 FULL NUT                     |
| 24   | A1378      | 7    | WASHER (30x9x2.5mm)              |
| 25   | A1843      | 3    | MOTOR STUD                       |
| 26   | A2132      | 3    | MOTOR STUD SPRING                |
| 27   | M8W        | 3    | M8 PLAIN WASHER                  |
| 28   | M8NSB      | 3    | M8 BINX STIFF NUT                |
| 29   | SBI3751    | 1    | 180J16 POLYVEE DRIVE BELT        |
| 30   | B1056/GH   | 1    | BRUSH COVER PRESSING - 400mm     |
| 31   | VB40141    | 1    | DRIVE BOARD ASSEMBLY             |

WHEN ORDERING PLEASE QUOTE PART No. AND PART DESCRIPTION